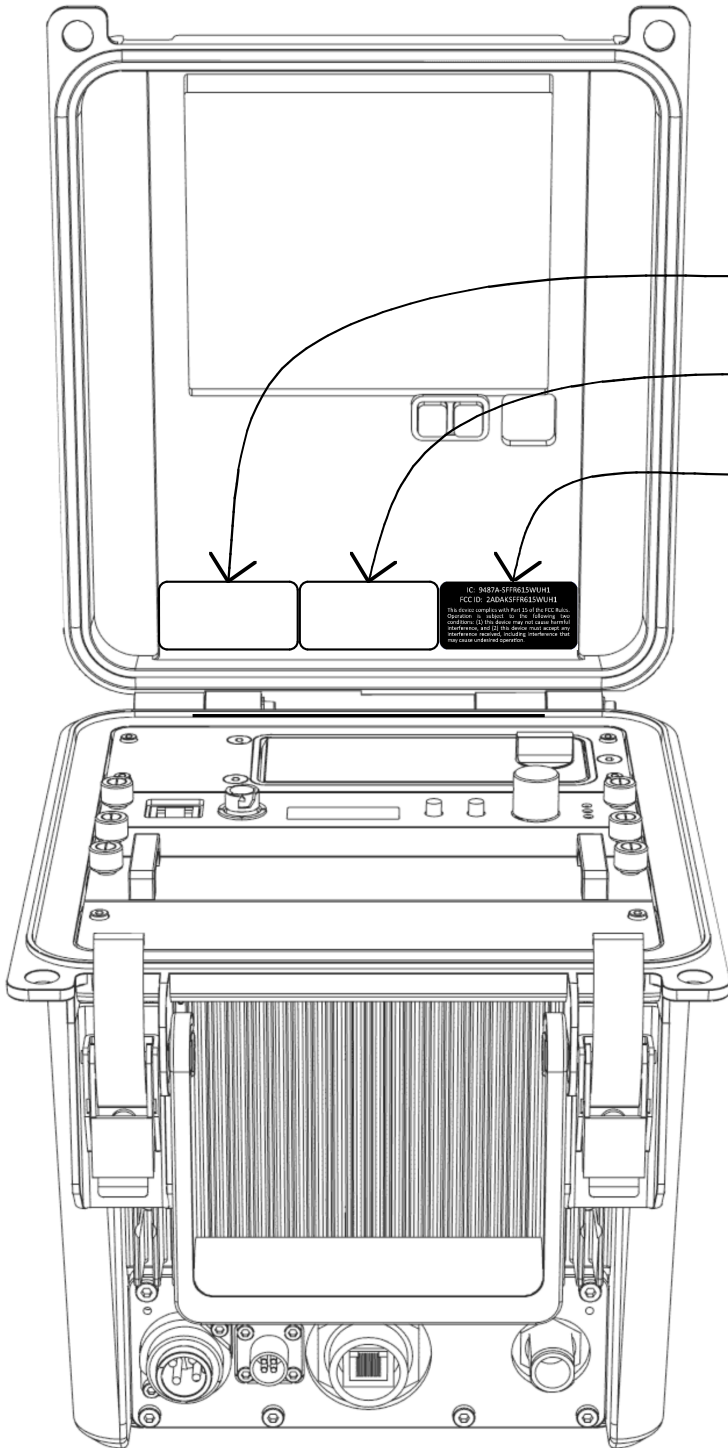


Title: Location of FCC / IC Identification Label

Revisions:

REV	Changes made	Date dd/mm/yy
v100		16/02/15



Brand label position

Model / Serial Number label position

FCC / IC Identification label position

File Name:
ES1002- MA11_v100_Location_FCC_ID_Label

Drawing Number: ES1001- MA11

Drawn by: Graeme MacDonald

Scale: Not to Scale
Sheet size A4

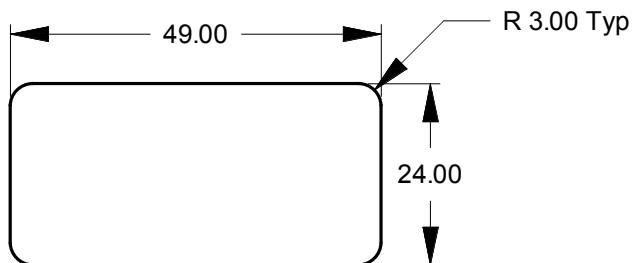
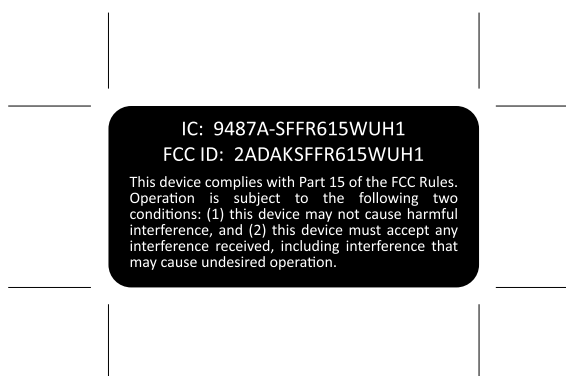
cube
industrial design

tel (direct) 02 9337 6266
171 Hopetoun Avenue Watsons Bay NSW 2030 Australia
tel + 61 2 9337 6255 mob 0411 114369 fax 02 9337 6355
www.cube.net.au graeme@cube.net.au

Title: SFFR615WUH1 FCC ID Label

Revisions:

REV	Changes made	Date dd/mm/yy
v100		16/02/15



Label Dimensions

Part Number: ES1002- MP48
File Name: ES1002- MP48_v100_FCC_ID
Base Material: Aluminium 0.25mm thick nom.
Colour: Natural (silver)
Print: Black (text is silver in black ground)
Adhesive: 3M 468MP, 0.13 thick nom.

Drawn by: Graeme MacDonald

Scale 1:1
 Sheet size A4

cube
 industrial design

tel (direct) 02 9337 6266
 171 Hopetoun Avenue Watsons Bay NSW 2030 Australia
 tel + 61 2 9337 6255 mob 0411 114369 fax 02 9337 6355
 www.cube.net.au graeme@cube.net.au