

## Spring technical indicators

型号 (Model) 868M/ANTENNA0.6\*4.5\*8.5N\*7.4-3.5\*3L

主要技术参数 Electrical Date

重量Weight(g):  $0.279 \pm 0.05$

高度Hight(mm): 7.4

线径Diameter(mm):  $0.6 \pm 0.02$

天线颜色 Color: 铜

材质Material: 铜

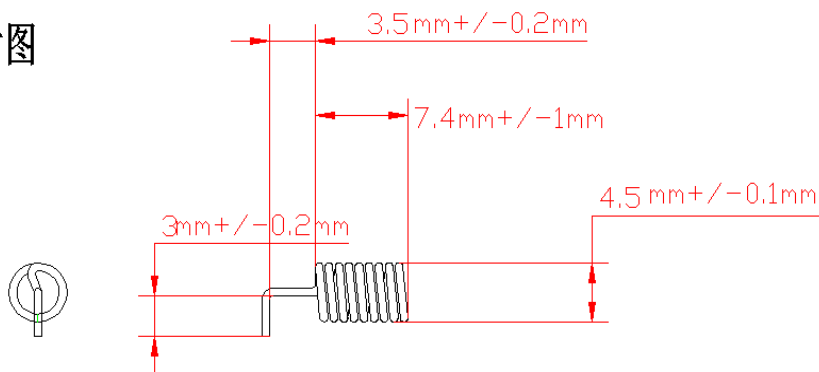
Product Description:

Antenna 868M/ANTENNA0.6\*4.5\*8.5N\*7.4-3.5\*3L is a special antenna designed for 868MHz wireless data transmission system. It has precise size, compact shape, ingenious structure, easy installation, stable performance, and good anti-vibration and aging ability.

Before the springs leave the factory, they are strictly inspected by our quality department.



尺寸图



28F0

天线868M/ANTENNA0.6\*4.5\*8.5N\*7.4-3.5\*3L

弹簧: 线径0.6mm, 圈数8.5, 材质黄铜

Company address: 103, Building G, Science and Technology Park  
No. 6, No. 4, Dishan North Road, Xinsheng Community, Longgang  
Street, Longgang District, Shenzhen Mobile: 13590380371

Tel: 0755-89617759

Fax: 0755-89617759

E-mail: zx07901@163.com