



MBT-CRX v3

Weatherproof Bluetooth® Controller / Receiver



Product Description

The MBT-CRXv3 is a water-resistant (IP67 rated) Bluetooth® receiver designed for marine and powersports applications. It can be used as a stand-alone Bluetooth® source unit/receiver, connecting directly to an amplifier. It can also be used as an add-on Bluetooth® controller/receiver, connected to an existing head unit's line-level/auxiliary inputs. The MBT-CRXv3 is not designed to drive loudspeakers directly.

What's Included

- (1) MBT-CRXv3 Bluetooth controller/receiver
- (1) Threaded fastening collar
- (1) Thin round gasket
- (1) Thick round gasket
- (1) Square adaptor plate
- (1) Square adaptor gasket
- (4) Stainless steel mounting screws
- (1) User Manual

Installation Applications

This product is designed for operation in 12 volt, negative-ground electrical systems. Using this product in systems with positive ground and/or voltages other than 12 volts may result in damage to the product and will void the warranty. This product is not certified or approved for use in aircraft.

Safety Considerations

- Whenever possible, mount this product in a dry, well-ventilated location that does not interfere with other factory installed electronic devices. If a dry environment is not available, a location that is not exposed to heavy splashing may be used.

- While this product is designed to be water-resistant, it should never be submerged under water for prolonged periods or subjected to high-pressure water spray.

- Do not mount in an engine compartment or in any areas of extreme heat.

- Ensure this product is securely installed so that it does not come loose in the event of a collision/sudden jolt or as a result of repeated vibrations during normal operation.

- Check before drilling to make sure that you will not be drilling into an exterior panel/hull, fuel tank, gas/brake line, wiring harness, or other vital system.

- Do not run system wiring outside or underneath the vehicle/vessel. This is an extremely dangerous practice, which can result in severe damage/injury.

- Protect all system wires from sharp edges (metal, fiberglass, etc.) by carefully routing them, tying them down and using grommets and loom where appropriate.

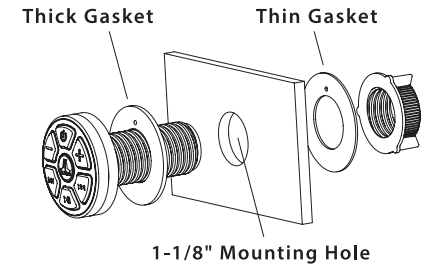
- Secure all wiring as needed, using cable ties or wire clamps to protect them from moving parts and sharp edges.

- Do not replace the power wire fuse with one of a different value. Never bypass the fuse.

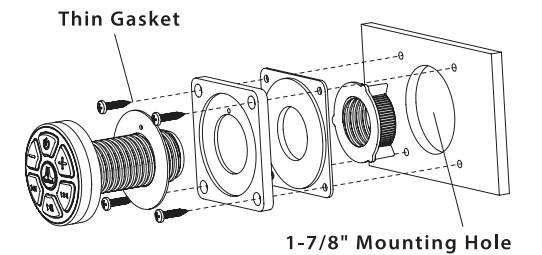
Mounting & Installation

The design of the MBT-CRXv3 requires just a single hole for installation. Its easy-to-use threaded-collar mounting system can accommodate installations in flat surfaces up to 1.75 inches (4.5 cm) thick. A front-mounted adaptor plate is included for installations in panels exceeding 1.75 inches (4.5 cm) thick, or where rear access is limited or not possible. Refer to the diagrams below for your specific mounting application.

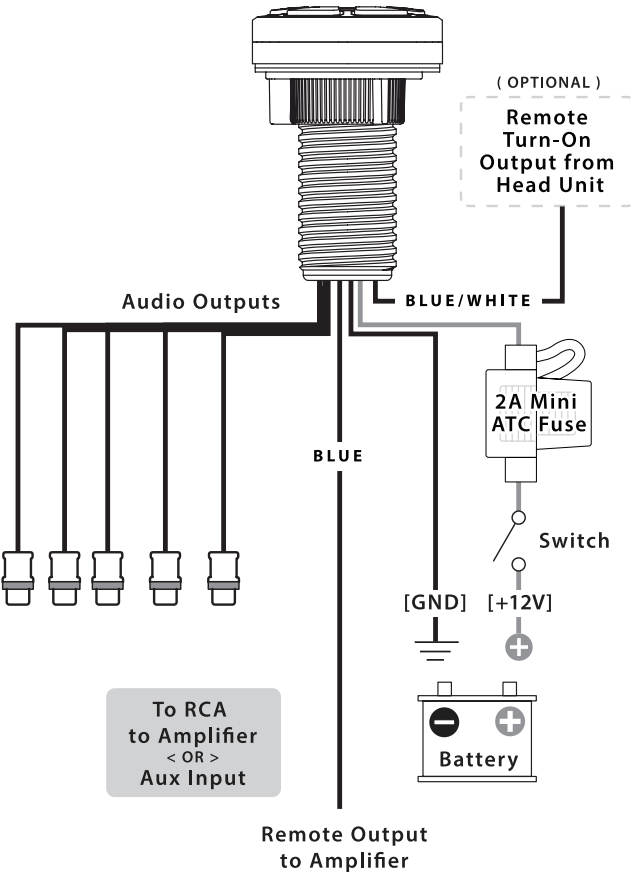
Standard Collar-Mount Installation



Front-Mount Adaptor Installation



Wiring Diagram



Note: If optional connection is made to a head unit's remote turn-on output, the head unit will turn the MBT-CRXv3 on/off and the MBT-CRXv3 power button will no longer operate.

Pairing Your Device

(required for operation)

1. Ensure your streaming device has Bluetooth® enabled and that the MBT-CRXv3 is on (backlit in blue). The JL Audio logo on the MBT-CRXv3 will blink to indicate it is in pairing mode.
2. Within your streaming device's Bluetooth® setup menu, select "MBT-CRXv3" from the list of pairable devices.
3. When successfully connected, the JL Audio logo on the MBT-CRXv3 will stop blinking and remain lit. A single beep will be heard through the connected audio system.

Pairing Considerations

Multiple devices can be paired to the MBT-CRXv3, but only one streaming device can connect at one time.

The MBT-CRXv3 will remember the last device that was connected to it and reconnect with it automatically. If that streaming device is not active, then other paired streaming devices can connect manually, or new streaming devices can be paired.

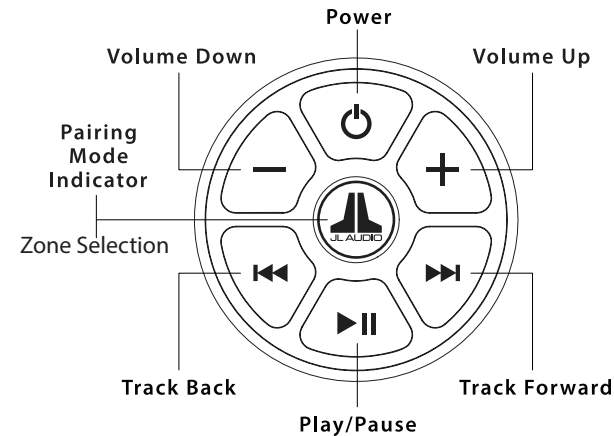
Pairing Considerations cont'd

When a connected streaming device is out of range for more than one minute, the MBT-CRXv3 will automatically disconnect this streaming device and return to pairing mode (JL Audio logo will blink). When that same device comes back into range, it should be reconnected to the MBT-CRXv3 manually.

Controlling Audio Playback

Once connected, use the controls on the MBT-CRXv3 to adjust volume up/down, track selection and play/pause. Pressing the JL Audio Logo will change the zone (and LED color) from All Zones (default)(White) to Zone 1 (Blue) Zone 2 (Red) Subwoofer (Green)

Control Legend



Specifications

Bluetooth® Profile	A2DP (High-Quality, Stereo Audio)
Bluetooth® Core Specification	Version 5.0 with Qualcomm® aptX™ audio
Frequency Response	20 Hz – 18 kHz (±1dB)
Outputs	2 Stereo Pair, +1 Mono Low-Level RCA Plugs
Output Voltage	2V RMS
Signal to Noise Ratio	93 dB (20 Hz – 20 kHz)
Input Operating Voltage	8 – 28 VDC
Current Draw	48 mA (at idle) 64 mA (at full output)
Remote Turn-on Output Capacity	350 mA (max)
Fuse Rating	2A Mini ATC
Connection Range*	Up to 35 ft / 11 m

*Maximum range is achieved in line-of-sight installations, actual range will vary based on installation specifics.

IP67 Water Resistance Rating

This product has been tested to withstand immersion in water, up to 1 meter (3.28 ft.) deep, for up to 30 minutes (when properly installed). Note - while designed to be water resistant, this product should never be submerged under water for prolonged periods or subjected to activity that creates pressure on it that exceeds its depth rating.

2-Year Limited Warranty (U.S.A.)

Visit www.jlaudio.com for warranty details.

For Service Information in the U.S.A. please call JL Audio customer service: (954) 443-1100 during normal business hours (Eastern Time) • JL Audio, Inc. • 10369 N Commerce Parkway, Miramar, FL 33025

International Warranties:

Products purchased outside the United States of America are covered only by that country's distributor and not by JL Audio, Inc.

The Bluetooth® word mark and logos are registered trademarks owned by Bluetooth SIG, Inc. and any use of such marks by JL Audio, Inc. is under license. Qualcomm aptX is a product of Qualcomm Technologies, Inc. and/or its subsidiaries. Qualcomm is a trademark of Qualcomm Incorporated, registered in the United States and other countries. aptX is a trademark of Qualcomm Technologies International, Ltd., registered in the United States and other countries and any use of such marks by JL Audio, Inc. is under license.

071018 • Printed in China

FCC compliance statement

Note: This equipment has been tested and found to comply with the limits for a Class B digital device, pursuant to Part 15 of the FCC Rules. These limits are designed to provide reasonable protection against harmful interference in a residential installation. This equipment generates, uses, and can radiate radio frequency energy, and if not installed and used in accordance with the instructions, may cause harmful interference to radio communications. However, there is no guarantee that interference will not occur in a particular installation. If this equipment does cause harmful interference to radio or television reception, which can be determined by turning the equipment off and on, the user is encouraged to try to correct the interference by one or more of the following measures:

- Reorient or relocate the receiving antenna.
- Increase the separation between the equipment and receiver.
- Connect the equipment into an outlet on a circuit different from that to which the receiver is connected.
- Consult the dealer or an experienced radio/TV technician for help.

Changes or modifications not expressly approved by the party responsible for compliance could void the user's authority to operate the equipment.

This device complies with Part 15 of the FCC Rules. Operation is subject to the following two conditions:

- (1) this device may not cause harmful interference, and
- (2) this device must accept any interference received, including interference that may cause undesired operation.

This equipment complies with FCC radiation exposure limits set forth for an uncontrolled environment. This equipment should be installed and operated with a minimum distance of 20cm between the radiator & your body. This transmitter must not be co-located or operating in conjunction with any other antenna or transmitter.

ISED statement

English:

This device contains licence-exempt transmitter(s)/receiver(s) that comply with Innovation, Science and Economic Development Canada's licence-exempt RSS(s). Operation is subject to the following two conditions: (1) This device may not cause interference. (2) This device must accept any interference, including interference that may cause undesired operation of the device.

French: Cet appareil contient des émetteurs/récepteurs exempts de licence qui sont conformes aux RSS exemptés de licence d'Innovation, Sciences et Développement économique Canada. L'exploitation est soumise aux deux conditions suivantes : (1) Cet appareil ne doit pas provoquer d'interférences. (2) Cet appareil doit accepter toute interférence, y compris les interférences susceptibles de provoquer un fonctionnement indésirable de l'appareil.

This device meets the exemption from the routine evaluation limits in section 2.5 of RSS 102 and compliance with RSS 102 RF exposure, users can obtain Canadian information on RF exposure and compliance.

cet appareil est conforme à l'exemption des limites d'évaluation courante dans la section 2.5 du cnr - 102 et conformité avec rss 102 de l'exposition aux rf, les utilisateurs peuvent obtenir des données canadiennes sur l'exposition aux champs rf et la conformité.

This equipment complies with Canada radiation exposure limits set forth for an uncontrolled environment.

Cet équipement est conforme aux limites d'exposition aux rayonnements du Canada établies pour un environnement non contrôlé.

The device has been evaluated to meet general RF exposure requirement. This equipment should be installed and operated with minimum distance 20cm between the radiator & your body. L'appareil a été évalué pour répondre aux exigences générales d'exposition aux RF. Cet équipement doit être installé et utilisé avec une distance minimale de 0 mm entre le radiateur et votre corps.