

# FCC Part 15C Test Report

## FCC ID: 2AD99-B005D

Product Name:	IP Video Door Station
Trademark:	DoorBird
Model Name :	D20x
Prepared For :	Bird Home Automation GmbH
Address :	Uhlandstr. 165,10719 Berlin, Germany
Prepared By :	Shenzhen BCTC Testing Co., Ltd.
Address :	BCTC Building & 1-2F, East of B Building, Pengzhou Industrial, Fuyuan 1st Road, Qiaotou Community, Fuyong Street, Bao'an District, Shenzhen, China
Test Date:	Dec. 25, 2019 – Jun. 12, 2020
Date of Report :	Jun. 12, 2020
Report No.:	BCTC1912002489E

## TEST RESULT CERTIFICATION

**Applicant's name** ..... Bird Home Automation GmbH  
Address ..... Uhlandstr. 165,10719 Berlin, Germany

**Manufacture's Name**..... Bird Home Automation GmbH  
Address ..... Uhlandstr. 165,10719 Berlin, Germany

### Product description

Product name ..... IP Video Door Station

Trademark ..... DoorBird

Model and/or type reference ..... D20x

**Standards** ..... FCC Part15.247  
ANSI C63.10:2013  
KDB 558074 D01 15.247 Meas Guidance v05r02

This device described above has been tested by BCTC, and the test results show that the equipment under test (EUT) is in compliance with the FCC requirements. And it is applicable only to the tested sample identified in the report.

This report shall not be reproduced except in full, without the written approval of BCTC, this document may be altered or revised by BCTC, personal only, and shall be noted in the revision of the document.

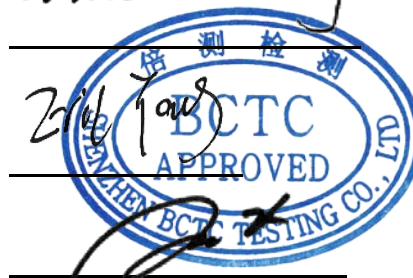
Prepared by(Engineer): Willem Wang

*Willem Wang*

Reviewer(Supervisor): Eric Yang

*Eric Yang*

Approved(Manager): Zero Zhou



**Table of Contents**

	<b>Page</b>
<b>1 . SUMMARY OF TEST RESULTS</b>	<b>6</b>
1.1 TEST FACILITY	7
1.2 MEASUREMENT UNCERTAINTY	7
<b>2 . GENERAL INFORMATION</b>	<b>8</b>
2.1 GENERAL DESCRIPTION OF EUT	8
2.2 DESCRIPTION OF TEST MODES	9
2.3 BLOCK DIGRAM SHOWING THE CONFIGURATION OF SYSTEM TESTED	10
2.4 DESCRIPTION OF SUPPORT UNITS(CONDUCTED MODE)	10
2.5 EQUIPMENTS LIST FOR ALL TEST ITEMS	11
<b>3 . EMC EMISSION TEST</b>	<b>13</b>
3.1 CONDUCTED EMISSION MEASUREMENT	13
3.1.1 POWER LINE CONDUCTED EMISSION LIMITS	13
3.1.2 TEST PROCEDURE	13
3.1.3 DEVIATION FROM TEST STANDARD	13
3.1.4 TEST SETUP	14
3.1.5 EUT OPERATING CONDITIONS	14
3.1.6 TEST RESULTS	15
3.2 RADIATED EMISSION MEASUREMENT	17
3.2.1 RADIATED EMISSION LIMITS	17
3.2.2 TEST PROCEDURE	17
3.2.3 DEVIATION FROM TEST STANDARD	18
3.2.4 TEST SETUP	18
3.2.5 EUT OPERATING CONDITIONS	19
3.2.6 TEST RESULTS (BETWEEN 9KHZ – 30 MHZ)	20
3.2.7 TEST RESULTS (BETWEEN 30MHZ – 1GHZ)	21
3.2.8 TEST RESULTS (1GHZ~25GHZ)	23
3.3 RADIATED BAND EMISSION MEASUREMENT	27
3.3.1 TEST REQUIREMENT:	27
3.3.2 TEST PROCEDURE	27
3.3.3 DEVIATION FROM TEST STANDARD	28
3.3.4 TEST SETUP	28
3.3.5 EUT OPERATING CONDITIONS	28
<b>4 . POWER SPECTRAL DENSITY TEST</b>	<b>30</b>

**Table of Contents**

	<b>Page</b>
<b>4.1 APPLIED PROCEDURES / LIMIT</b>	<b>30</b>
4.1.1 TEST PROCEDURE	30
4.1.2 DEVIATION FROM STANDARD	30
4.1.3 TEST SETUP	30
4.1.4 EUT OPERATION CONDITIONS	30
4.1.5 TEST RESULTS	31
<b>5 . BANDWIDTH TEST</b>	<b>39</b>
5.1 APPLIED PROCEDURES / LIMIT	39
5.1.1 TEST PROCEDURE	39
5.1.2 DEVIATION FROM STANDARD	39
5.1.3 TEST SETUP	39
5.1.4 EUT OPERATION CONDITIONS	39
5.1.5 TEST RESULTS	40
<b>6 . PEAK OUTPUT POWER TEST</b>	<b>48</b>
6.1 APPLIED PROCEDURES/LIMIT	48
6.1.1 TEST PROCEDURE	48
6.1.2 DEVIATION FROM STANDARD	48
6.1.3 TEST SETUP	48
6.1.4 EUT OPERATION CONDITIONS	48
6.1.5 TEST RESULTS	49
<b>7 . 100 KHZ BANDWIDTH OF FREQUENCY BAND EDGE</b>	<b>50</b>
7.1 APPLICABLE STANDARD	50
7.2 TEST PROCEDURE	50
7.3 DEVIATION FROM STANDARD	50
7.4 TEST SETUP	50
7.5 EUT OPERATION CONDITIONS	50
7.6 TEST RESULT	50
<b>8 . DUTY CYCLE OF TEST SIGNAL</b>	<b>59</b>
8.1 STANDARD REQUIREMENT	59
8.2 FORMULA:	59
<b>9 . ANTENNA REQUIREMENT</b>	<b>62</b>
9.1 STANDARD REQUIREMENT	62
9.2 EUT ANTENNA	62
<b>10 . EUT TEST PHOTO</b>	<b>63</b>

**Table of Contents**

**Page**

<b>11 . EUT PHOTO APPENDIX-PHOTOGRAPHS OF EUT CONSTRUCTIONAL DETAILS</b>	<b>65</b>
--	-----------

## 1. SUMMARY OF TEST RESULTS

Test procedures according to the technical standards:

FCC Part15 (15.247) , Subpart C			
Standard Section	Test Item	Judgment	Remark
15.207	Conducted Emission	PASS	
15.247 (a)(2)	6dB Bandwidth	PASS	
15.247 (b)	Peak Output Power	PASS	
15.247 (d)	Radiated Spurious Emission	PASS	
15.247 (e)	Power Spectral Density	PASS	
15.205	Restricted Band of Operation	PASS	
15.247 (d)	Band Edge (Out of Band Emissions)	PASS	
15.203	Antenna Requirement	PASS	

**NOTE:**

(1) "N/A" denotes test is not applicable in this Test Report

## 1.1 TEST FACILITY

Shenzhen BCTC Testing Co., Ltd.

Add. : BCTC Building & 1-2F, East of B Building, Pengzhou Industrial, Fuyuan 1st Road, Qiaotou Community, Fuyong Street, Bao'an District, Shenzhen, China

FCC Test Firm Registration Number: 712850

IC Registered No.: 23583

## 1.2 MEASUREMENT UNCERTAINTY

The reported uncertainty of measurement  $y \pm U$ , where expanded uncertainty  $U$  is based on a standard uncertainty multiplied by a coverage factor of  $k=2$ , providing a level of confidence of approximately 95%.

No.	Item	Uncertainty
1	3m chamber Radiated spurious emission(30MHz-1GHz)	U=4.3dB
2	3m chamber Radiated spurious emission(1GHz-18GHz)	U=4.5dB
3	3m chamber Radiated spurious emission(18GHz-40GHz)	U=3.34dB
4	Conducted Adjacent channel power	U=1.38dB
5	Conducted output power uncertainty Above 1G	U=1.576dB
6	Conducted output power uncertainty below 1G	U=1.28dB
7	humidity uncertainty	U=5.3%
8	Temperature uncertainty	U=0.59°C

## 2. GENERAL INFORMATION

### 2.1 GENERAL DESCRIPTION OF EUT

Equipment	IP Video Door Station	
Trade Name	DoorBird	
Model Name	D20x	
Model Difference	N/A	
Product Description	Operation Frequency:	802.11b/g/n20MHz:2412~2462MHz 802.11n40MHz:2422~2452MHz
	Modulation Type:	WIFI: OFDM/DSSS
	Bit Rate of Transmitter	802.11b:11/5.5/2/1 Mbps 802.11g:54/48/36/24/18/12/9/6Mbps 802.11n Up to 150Mbps
	Number Of Channel	802.11b/g/n20MHz:11 CH 802.11n40MHz: 7 CH
	Antenna Designation:	Please see Note 3.
Channel List	Please refer to the Note 2.	
Adapter	MODEL: UT20-150100W INPUT: 100-240V~50/60Hz 0.4A OUTPUT: 15V1.0A	

Note:

1. For a more detailed features description, please refer to the manufacturer's specifications or the User's Manual.



2.

Channel List for 802.11b/g/n(20)							
Channel	Frequency (MHz)	Channel	Frequency (MHz)	Channel	Frequency (MHz)	Channel	Frequency (MHz)
01	2412	04	2427	07	2442	10	2457
02	2417	05	2432	08	2447	11	2462
03	2422	06	2437	09	2452		

Channel List for 802.11n(40)							
Channel	Frequency (MHz)	Channel	Frequency (MHz)	Channel	Frequency (MHz)	Channel	Frequency (MHz)
03	2422	05	2432	07	2442	09	2452
04	2427	06	2437	08	2447		

3.

Brand	Model Name	Antenna Type	Gain (dBi)	NOTE
N/A	N/A	External antenna	1.52	

## 2.2 DESCRIPTION OF TEST MODES

Pretest Mode	Description
Mode 1	802.11b CH1/ CH6/ CH11
Mode 2	802.11g CH1/ CH6/ CH11
Mode 3	802.11n20 CH1/ CH6/ CH11
Mode 4	802.11n40 CH3/ CH6/ CH9
Mode 5	Link Mode

Conducted Emission	
Final Test Mode	Description
Mode 5	Link Mode

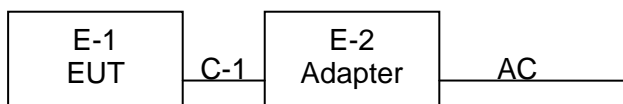
For Radiated Emission	
Final Test Mode	Description
Mode 1	802.11b CH1/ CH6/ CH11
Mode 2	802.11g CH1/ CH6/ CH11
Mode 3	802.11n20 CH1/ CH6/ CH11
Mode 4	802.11n40 CH3/ CH6/ CH9

Note:

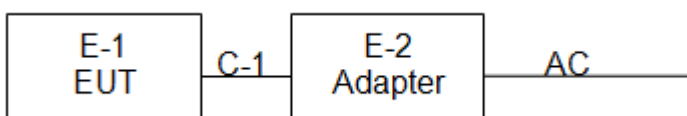
- (1) The measurements are performed at all Bit Rate of Transmitter, the worst data was reported.

### 2.3 BLOCK DIGRAM SHOWING THE CONFIGURATION OF SYSTEM TESTED

Conducted Emission Test



Radiated Spurious Emission Test



### 2.4 DESCRIPTION OF SUPPORT UNITS(CONDUCTED MODE)

The EUT has been tested as an independent unit together with other necessary accessories or support units. The following support units or accessories were used to form a representative test configuration during the tests.

No.	Device Type	Brand	Model	Series No.	Data Cable
E-1	IP Video Door Station	DoorBird	D20x	N/A	EUT
E-2	Adapter	N/A	UT20-150100 W	N/A	EUT

Item	Shielded Type	Ferrite Core	Length	Note
C-1	NO	NO	2.3M	DC cable unshielded

Note:

- (1) The support equipment was authorized by Declaration of Confirmation.
- (2) For detachable type I/O cable should be specified the length in cm in 『Length』 column.

## 2.5 EQUIPMENTS LIST FOR ALL TEST ITEMS

### Radiation Test equipment

Item	Equipment	Manufacturer	Type No.	Serial No.	Last calibration	Calibrated until
1	Spectrum Analyzer (9kHz-26.5GHz)	Agilent	E4407B	MY45109572	Jun. 13, 2019	Jun. 12, 2020
2	Test Receiver (9kHz-7GHz)	R&S	ESR7	101154	Jun. 13, 2019	Jun. 12, 2020
3	Bilog Antenna (30MHz-3GHz)	SCHWARZBECK	VULB9163	VULB9163-942	Jun. 22, 2019	Jun. 21, 2020
4	Horn Antenna (1GHz-18GHz)	SCHWARZBECK	BBHA9120D	1541	Jun. 22, 2019	Jun. 21, 2020
5	Horn Antenna (18GHz-40GHz)	SCHWARZBECK	BBHA9170	822	Jun. 22, 2019	Jun. 21, 2020
6	Amplifier (9kHz-6GHz)	SCHWARZBECK	BBV9744	9744-0037	Jun. 25, 2019	Jun. 24, 2020
7	Amplifier (0.5GHz-18GHz)	SCHWARZBECK	BBV9718	9718-309	Jun. 25, 2019	Jun. 24, 2020
8	Amplifier (18GHz-40GHz)	MITEQ	TTA1840-35-HG	2034381	Jun. 17, 2019	Jun. 16, 2020
9	Loop Antenna (9kHz-30MHz)	SCHWARZBECK	FMZB1519B	014	Jul. 02, 2019	Jul. 01, 2020
10	RF cables1 (9kHz-30MHz)	Huber+Suhnar	9kHz-30MHz	B1702988-0008	Jun. 25, 2019	Jun. 24, 2020
11	RF cables2 (30MHz-1GHz)	Huber+Suhnar	30MHz-1GHz	1486150	Jun. 25, 2019	Jun. 24, 2020
12	RF cables3 (1GHz-40GHz)	Huber+Suhnar	1GHz-40GHz	1607106	Jun. 25, 2019	Jun. 24, 2020
13	Power Metter	Keysight	E4419	\	Jun. 17, 2019	Jun. 16, 2020
14	Power Sensor (AV)	Keysight	E9 300A	\	Jun. 17, 2019	Jun. 16, 2020
15	Signal Analyzer 20kHz-26.5GHz	KEYSIGHT	N9020A	MY49100060	Jun. 13, 2019	Jun. 12, 2020
16	Spectrum Analyzer 9kHz-40GHz	Aglient	FSP40	100363	Jun. 13, 2019	Jun. 12, 2020
17	D.C. Power Supply	LongWei	TPR-6405D	\	\	\
18	Software	Frad	EZ-EMC	FA-03A2 RE	\	\

## Conduction Test equipment

Item	Equipment	Manufacturer	Type No.	Serial No.	Last calibration	Calibrated until
1	Test Receiver	R&S	ESR3	102075	Jun. 13, 2019	Jun. 12, 2020
2	LISN	SCHWARZBECK	NSLK8127	8127739	Jun. 13, 2019	Jun. 12, 2020
3	LISN	R&S	ENV216	101375	Jun. 13, 2019	Jun. 12, 2020
4	RF cables	Huber+Suhnar	9kHz-30MHz	B1702988-0008	Jun. 25, 2019	Jun. 24, 2020
5	Software	Frad	EZ-EMC	EMC-CON 3A1	\	\

### 3. EMC EMISSION TEST

#### 3.1 CONDUCTED EMISSION MEASUREMENT

##### 3.1.1 POWER LINE CONDUCTED EMISSION Limits (Frequency Range 150KHz-30MHz)

FREQUENCY (MHz)	Limit (dBuV)		Standard
	Quasi-peak	Average	
0.15 -0.5	66 - 56 *	56 - 46 *	FCC
0.50 -5.0	56.00	46.00	FCC
5.0 -30.0	60.00	50.00	FCC

Note:

- (1) The tighter limit applies at the band edges.
- (2) The limit of " \* " marked band means the limitation decreases linearly with the logarithm of the frequency in the range.

The following table is the setting of the receiver

Receiver Parameters	Setting
Attenuation	10 dB
Start Frequency	0.15 MHz
Stop Frequency	30 MHz
IF Bandwidth	9 kHz

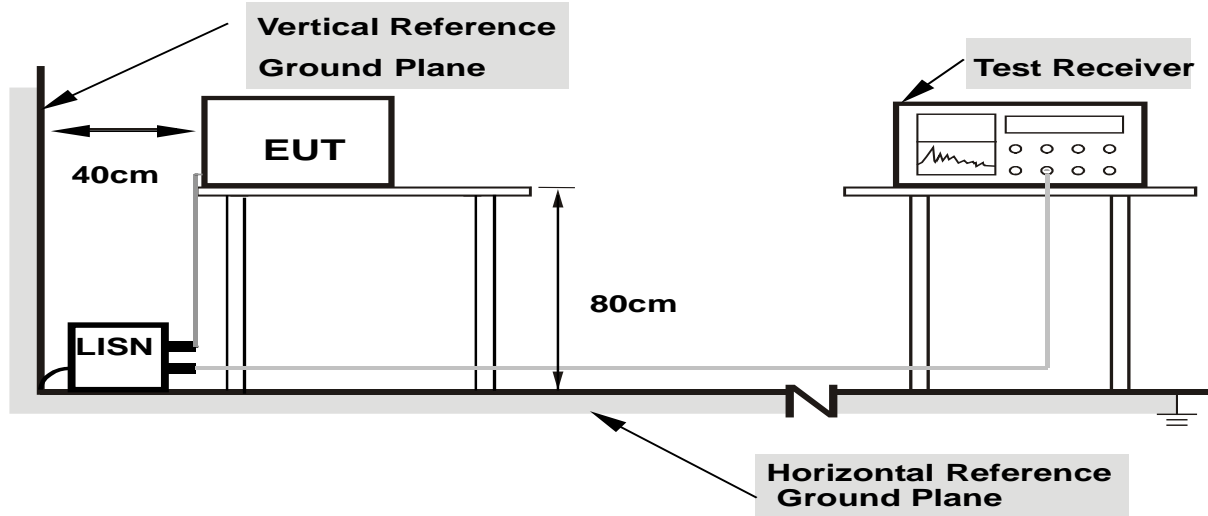
##### 3.1.2 TEST PROCEDURE

- a. The EUT was placed 0.8 meters from the horizontal ground plane with EUT being connected to the power mains through a line impedance stabilization network (LISN). All other support equipments powered from additional LISN(s). The LISN provide 50 Ohm/ 50uH of coupling impedance for the measuring instrument.
- b. Interconnecting cables that hang closer than 40 cm to the ground plane shall be folded back and forth in the center forming a bundle 30 to 40 cm long.
- c. I/O cables that are not connected to a peripheral shall be bundled in the center. The end of the cable may be terminated, if required, using the correct terminating impedance. The overall length shall not exceed 1 m.
- d. LISN at least 80 cm from nearest part of EUT chassis.
- e. For the actual test configuration, please refer to the related Item –EUT Test Photos.

##### 3.1.3 DEVIATION FROM TEST STANDARD

No deviation

### 3.1.4 TEST SETUP



- Note: 1.Support units were connected to second LISN.**  
**2.Both of LISNs (AMN) are 80 cm from EUT and at least 80 from other units and other metal planes**

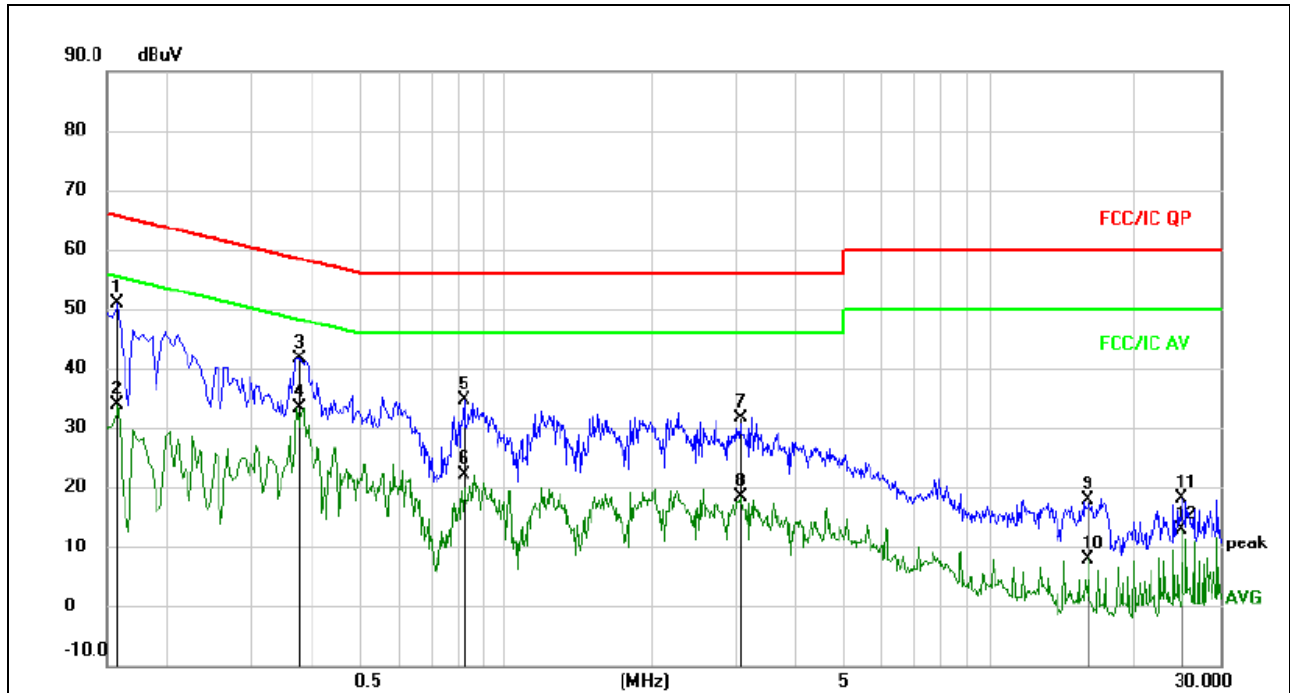
### 3.1.5 EUT OPERATING CONDITIONS

The EUT was configured for testing in a typical fashion (as a customer would normally use it). The EUT has been programmed to continuously transmit during test. This operating condition was tested and used to collect the included data.

We pretest AC 120V and AC 240V, the worst voltage was AC 120V and the data recording in the report.

### 3.1.6 TEST RESULTS

Temperature :	26 °C	Relative Humidity :	54%
Pressure :	101kPa	Phase :	L
Test Voltage :	AC120V 60Hz	Test Mode :	Mode 5

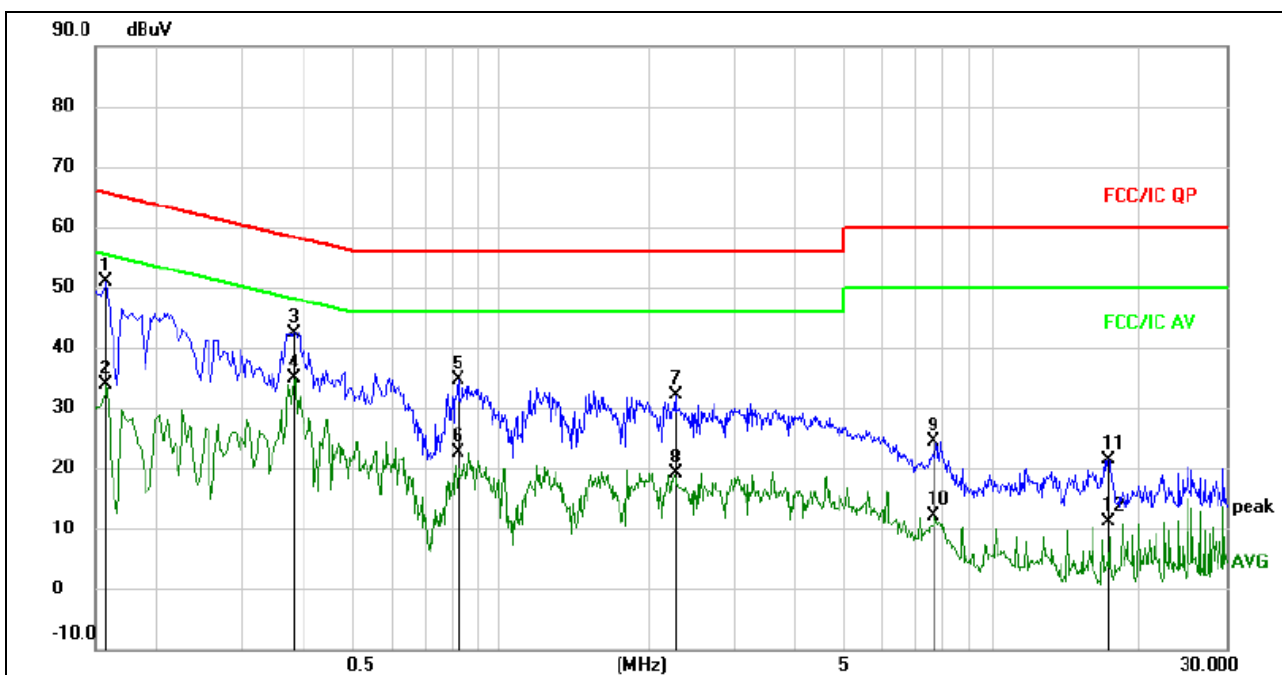


Remark:

1. All readings are Quasi-Peak and Average values.
2. Factor = Insertion Loss + Cable Loss.

No.	Mk.	Freq. MHz	Reading Level dBuV	Correct Factor	Measure- ment dBuV	Limit dBuV	Over dB	Detector	Comment
1	*	0.1580	41.40	9.51	50.91	65.57	-14.66	QP	
2		0.1580	24.40	9.51	33.91	55.57	-21.66	AVG	
3		0.3740	32.13	9.52	41.65	58.41	-16.76	QP	
4		0.3740	23.86	9.52	33.38	48.41	-15.03	AVG	
5		0.8180	24.93	9.62	34.55	56.00	-21.45	QP	
6		0.8180	12.61	9.62	22.23	46.00	-23.77	AVG	
7		3.0500	21.90	9.66	31.56	56.00	-24.44	QP	
8		3.0500	8.62	9.66	18.28	46.00	-27.72	AVG	
9		16.0100	8.28	9.72	18.00	60.00	-42.00	QP	
10		16.0100	-1.72	9.72	8.00	50.00	-42.00	AVG	
11		25.0020	8.40	9.74	18.14	60.00	-41.86	QP	
12		25.0020	3.17	9.74	12.91	50.00	-37.09	AVG	

Temperature :	26 °C	Relative Humidity :	54%
Pressure :	101kPa	Phase :	N
Test Voltage :	AC120V 60Hz	Test Mode :	Mode 5



Remark:

1. All readings are Quasi-Peak and Average values.
2. Factor = Insertion Loss + Cable Loss.

No.	Mk.	Freq. MHz	Reading Level dBuV	Correct Factor	Measure- ment dBuV	Limit dBuV	Over dB	Detector	Comment
1		0.1580	41.40	9.51	50.91	65.57	-14.66	QP	
2		0.1580	24.40	9.51	33.91	55.57	-21.66	AVG	
3		0.3790	32.97	9.52	42.49	58.30	-15.81	QP	
4	*	0.3790	25.36	9.52	34.88	48.30	-13.42	AVG	
5		0.8180	24.93	9.62	34.55	56.00	-21.45	QP	
6		0.8180	13.11	9.62	22.73	46.00	-23.27	AVG	
7		2.2659	22.54	9.61	32.15	56.00	-23.85	QP	
8		2.2659	9.55	9.61	19.16	46.00	-26.84	AVG	
9		7.6300	14.58	9.71	24.29	60.00	-35.71	QP	
10		7.6300	2.47	9.71	12.18	50.00	-37.82	AVG	
11		17.2259	11.70	9.74	21.44	60.00	-38.56	QP	
12		17.2259	1.27	9.74	11.01	50.00	-38.99	AVG	



### 3.2 RADIATED EMISSION MEASUREMENT

#### 3.2.1 RADIATED EMISSION LIMITS (Frequency Range 9kHz-1000MHz)

20dBc in any 100 kHz bandwidth outside the operating frequency band. In case the emission fall within the restricted band specified on 15.205(a), then the 15.209(a) limit in the table below has to be followed.

Frequencies (MHz)	Field Strength (micorvolts/meter)	Measurement Distance (meters)
0.009~0.490	2400/F(KHz)	300
0.490~1.705	24000/F(KHz)	30
1.705~30.0	30	30
30~88	100	3
88~216	150	3
216~960	200	3
Above 960	500	3

#### LIMITS OF RADIATED EMISSION MEASUREMENT (Above 1000MHz)

FREQUENCY (MHz)	Limit (dBuV/m) (at 3M)	
	PEAK	AVERAGE
Above 1000	74	54

Notes:

- (1) The limit for radiated test was performed according to FCC PART 15C.
- (2) The tighter limit applies at the band edges.
- (3) Emission level (dBuV/m)=20log Emission level (uV/m).

Spectrum Parameter	Setting
Attenuation	Auto
Start Frequency	1000 MHz
Stop Frequency	25GHz
RB / VB (emission in restricted band)	1 MHz / 1 MHz for Peak, 1 MHz / 10Hz for Average

Receiver Parameter	Setting
Attenuation	Auto
Start ~ Stop Frequency	9kHz~150kHz / RB 200Hz for QP
Start ~ Stop Frequency	150kHz~30MHz / RB 9kHz for QP
Start ~ Stop Frequency	30MHz~1000MHz / RB 120kHz for QP

#### 3.2.2 TEST PROCEDURE

- a. The measuring distance of at 3 m shall be used for measurements at frequency up to 25GHz. For frequencies above 1GHz, any suitable measuring distance may be used.
- b. The EUT was placed on the top of a rotating table 0.8 meters above the ground at a 3 meter semi-chamber test. The table was rotated 360 degrees to determine the position of the highest radiation.
- c. The height of the equipment or of the substitution antenna shall be 0.8m; above 1GHz, the height was 1.5m, the height of the test antenna shall vary between 1 m to 4 m. Both horizontal and vertical polarizations of the antenna are set to make the measurement.
- d. The initial step in collecting conducted emission data is a spectrum analyzer peak detector mode pre-scanning the measurement frequency range. Significant peaks are then marked and then Quasi Peak detector mode re-measured.
- e. If the Peak Mode measured value compliance with and lower than Quasi Peak Mode Limit, the EUT shall be deemed to meet QP Limits and then no additional QP Mode measurement performed.
- f. For the actual test configuration, please refer to the related Item –EUT Test Photos.
- g. For the radiated emission test above 1GHz:  
Place the measurement antenna away from each area of the EUT determined to be a source of emissions at the specified measurement distance, while keeping the measurement antenna aimed at the source of emissions at each frequency of significant emissions, with polarization oriented for maximum response.

The measurement antenna may have to be higher or lower than the EUT, depending on the radiation pattern of the emission and staying aimed at the emission source for receiving the maximum signal. The final measurement antenna elevation shall be that which maximizes the emissions. The measurement antenna elevation for maximum emissions shall be restricted to a range of heights of from 1 m to 4 m above the ground or reference ground plane.

Note:

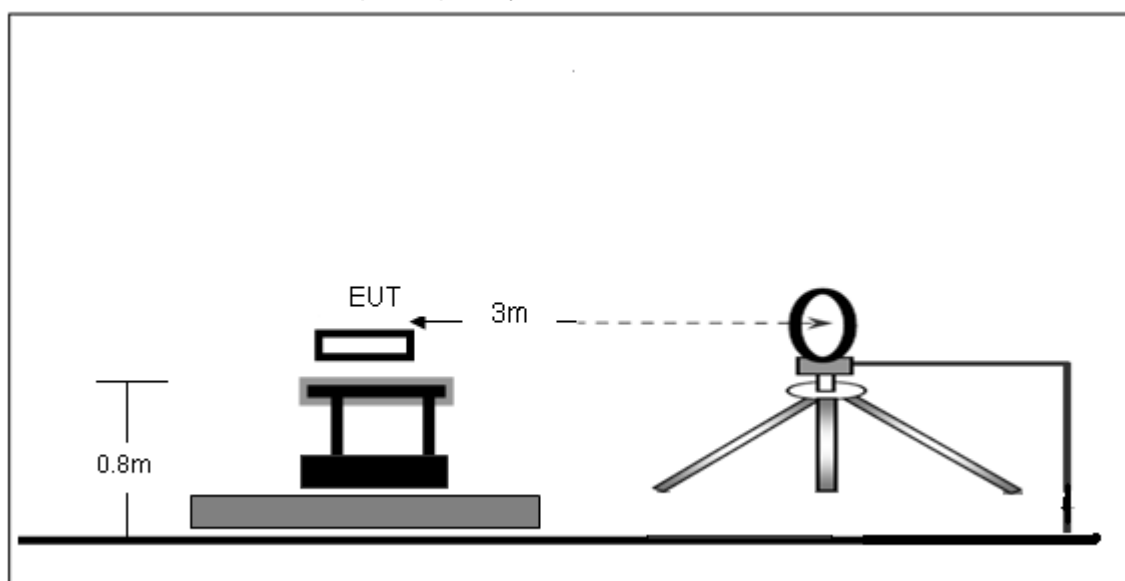
Both horizontal and vertical antenna polarities were tested and performed pretest to three orthogonal axis. The worst case emissions were reported

### 3.2.3 DEVIATION FROM TEST STANDARD

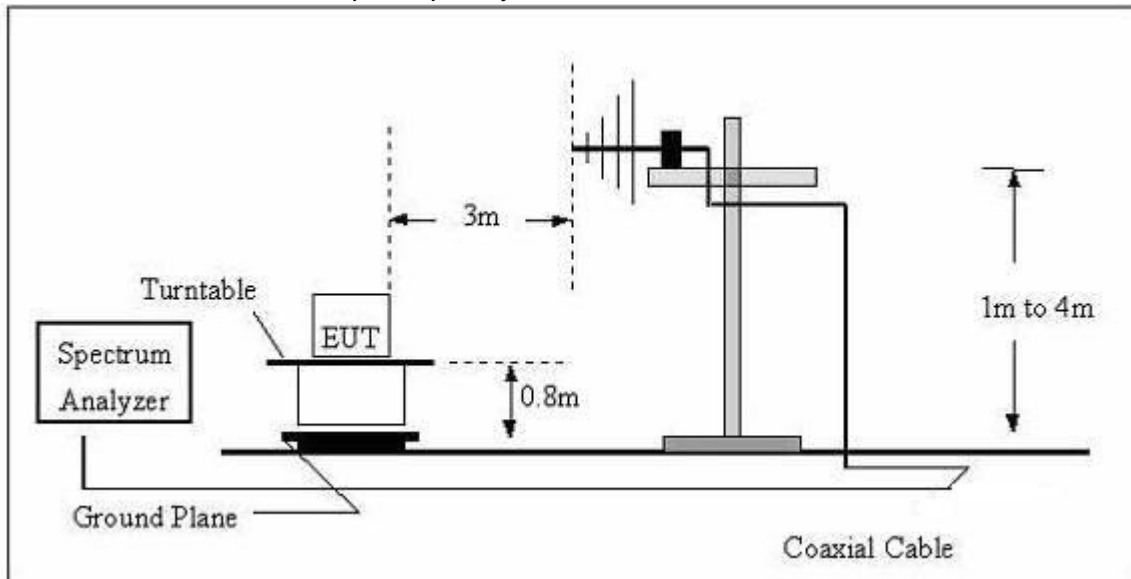
No deviation

### 3.2.4 TEST SETUP

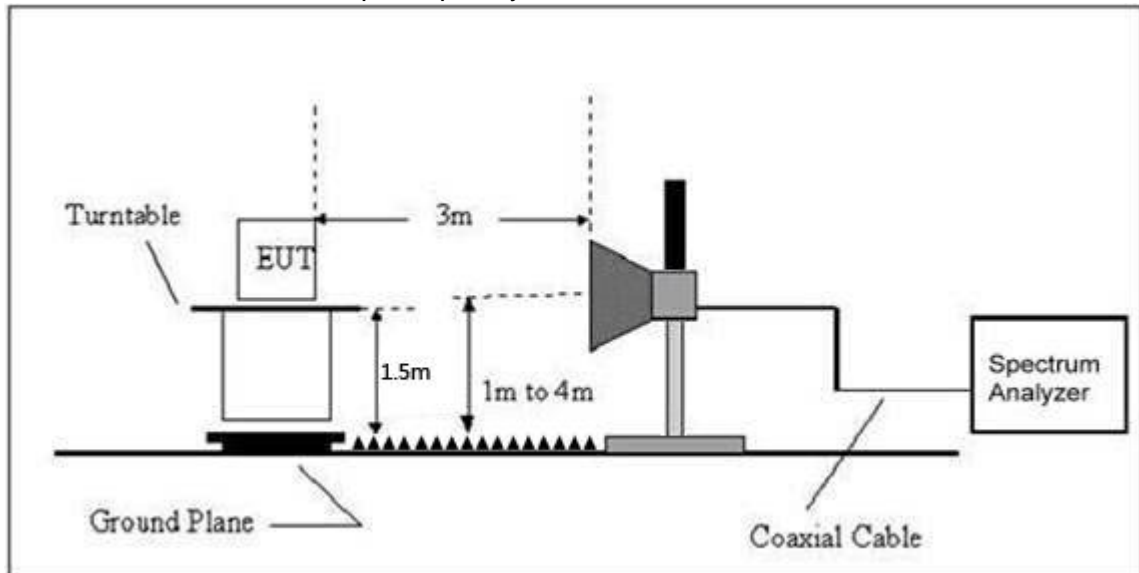
(A) Radiated Emission Test-Up Frequency Below 30MHz



(B) Radiated Emission Test-Up Frequency 30MHz~1GHz



(C) Radiated Emission Test-Up Frequency Above 1GHz



### 3.2.5 EUT OPERATING CONDITIONS

The EUT tested system was configured as the statements of 2.4 Unless otherwise a special operating condition is specified in the follows during the testing.

### 3.2.6 TEST RESULTS (BETWEEN 9KHZ – 30 MHZ)

Temperature:	26℃	Relative Humidity:	54%
Pressure:	101kPa	Test Voltage :	AC120V 60Hz
Test Mode :	Mode 5	Polarization :	--

Freq. (MHz)	Reading (dBuV/m)	Limit (dBuV/m)	Margin (dB)	State P/F
--	--	--	--	PASS
--	--	--	--	PASS

#### NOTE:

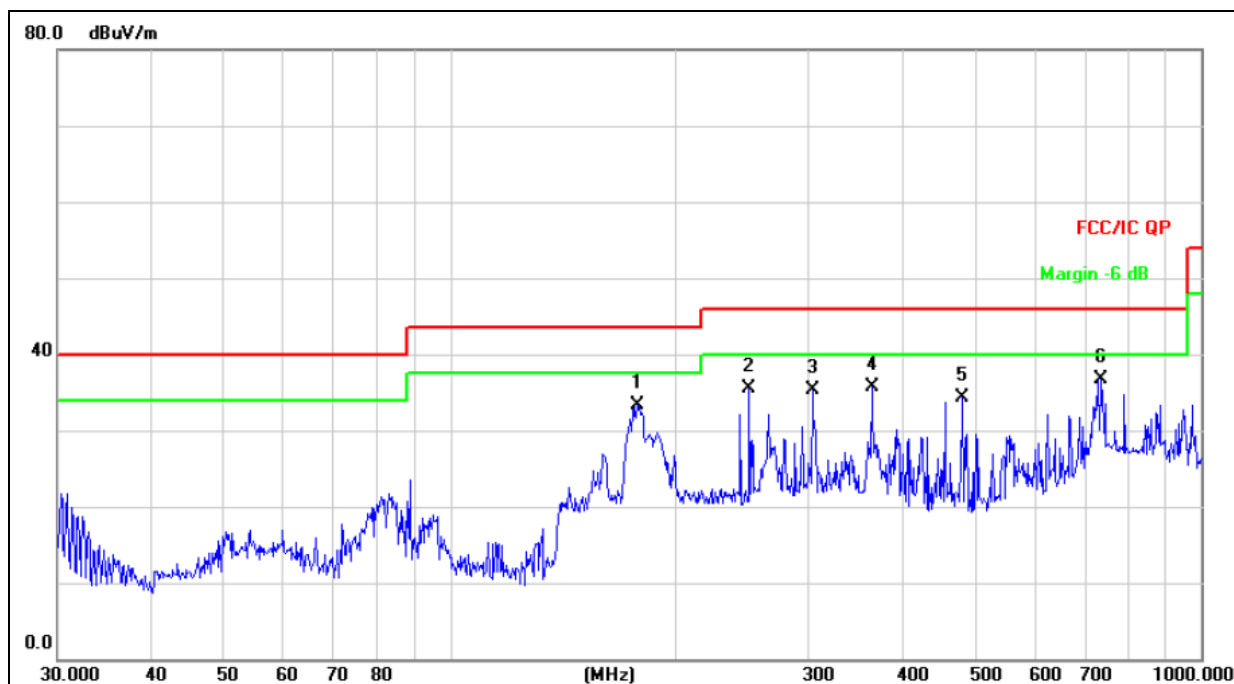
The amplitude of spurious emissions which are attenuated by more than 20dB below the permissible value has no need to be reported.

Distance extrapolation factor =  $40 \log(\text{specific distance}/\text{test distance})$ (dB);

Limit line = specific limits(dBuv) + distance extrapolation factor.

### 3.2.7 TEST RESULTS (BETWEEN 30MHZ – 1GHZ)

Temperature :	26°C	Relative Humidity :	54%
Pressure :	101 kPa	Polarization :	Horizontal
Test Voltage :	AC120V 60Hz		
Test Mode :	Mode 5		

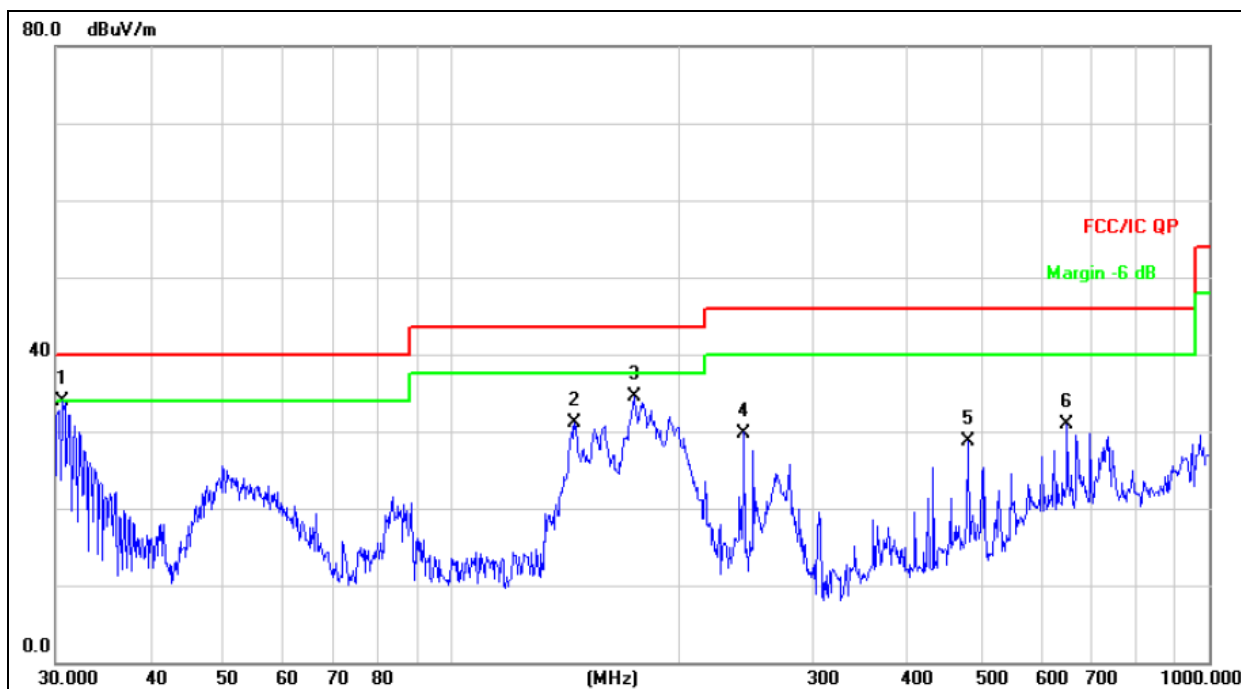


Remark:

Factor = Antenna Factor + Cable Loss – Pre-amplifier.

No.	Mk.	Freq.	Reading Level	Correct Factor	Measurement	Limit	Over	
		MHz	dBuV	dB/m	dBuV/m	dBuV/m	dB	Detector
1		177.5089	44.23	-10.95	33.28	43.50	-10.22	QP
2		250.3009	44.37	-8.91	35.46	46.00	-10.54	QP
3		303.5437	43.77	-8.45	35.32	46.00	-10.68	QP
4		364.2595	41.62	-5.93	35.69	46.00	-10.31	QP
5		480.5276	36.80	-2.42	34.38	46.00	-11.62	QP
6	*	734.4913	34.17	2.57	36.74	46.00	-9.26	QP

Temperature :	26℃	Relative Humidity :	54%
Pressure :	101kPa	Polarization :	Vertical
Test Voltage :	AC120V 60Hz		
Test Mode :	Mode 5		



Remark:

Factor = Antenna Factor + Cable Loss – Pre-amplifier.

No.	Mk.	Freq.	Reading Level	Correct Factor	Measurement	Limit	Over	Detector
		MHz	dBuV	dB/m	dBuV/m	dBuV/m	dB	
1	*	30.6373	42.62	-8.81	33.81	40.00	-6.19	QP
2		145.3505	41.07	-9.98	31.09	43.50	-12.41	QP
3		174.4241	45.26	-10.80	34.46	43.50	-9.04	QP
4		243.3771	39.12	-9.32	29.80	46.00	-16.20	QP
5		480.5276	31.18	-2.42	28.76	46.00	-17.24	QP
6		649.6597	29.66	1.23	30.89	46.00	-15.11	QP

**3.2.8 TEST RESULTS (1GHZ~25GHZ)**
**802.11b**

Polar (H/V)	Frequency	Meter Reading	Pre-amplifier	Cable Loss	Antenna Factor	Emission Level	Limits	Margin	Detector Type
	(MHz)	(dBuV)	(dB)	(dB)	(dB)	(dBuV/m)	(dBuV/m)	(dB)	
Low Channel:2412MHz									
V	4824.00	66.65	39.55	7.85	25.66	60.61	74.00	-13.39	PK
V	4824.00	51.35	39.55	7.85	25.66	45.31	54.00	-8.69	AV
V	7236.00	67.21	38.33	7.52	24.55	60.95	74.00	-13.05	PK
V	7236.00	49.64	38.33	7.52	24.55	43.38	54.00	-10.62	AV
H	4824.00	65.91	39.55	7.85	25.66	59.87	74.00	-14.13	PK
H	4824.00	51.83	39.55	7.85	25.66	45.79	54.00	-8.21	AV
H	7236.00	67.77	38.33	7.52	24.55	61.51	74.00	-12.49	PK
H	7236.00	50.23	38.33	7.52	24.55	43.97	54.00	-10.03	AV

Polar (H/V)	Frequency	Meter Reading	Pre-amplifier	Cable Loss	Antenna Factor	Emission Level	Limits	Margin	Detector Type
	(MHz)	(dBuV)	(dB)	(dB)	(dB)	(dBuV/m)	(dBuV/m)	(dB)	
Middle Channel:2437MHz									
V	4874.00	68.03	38.89	7.57	25.45	62.16	74.00	-11.84	Pk
V	4874.00	51.62	38.89	7.57	25.45	45.75	54.00	-8.25	AV
V	7311.00	68.28	38.78	7.35	24.78	61.63	74.00	-12.37	Pk
V	7311.00	48.19	38.78	7.35	24.78	41.54	54.00	-12.46	AV
H	4874.00	64.87	38.89	7.57	25.45	59.00	74.00	-15.00	Pk
H	4874.00	50.78	38.89	7.57	25.45	44.91	54.00	-9.09	AV
H	7311.00	66.46	38.78	7.35	24.78	59.81	74.00	-14.19	Pk
H	7311.00	50.27	38.78	7.35	24.78	43.62	54.00	-10.38	AV

Polar (H/V)	Frequency	Meter Reading	Pre-amplifier	Cable Loss	Antenna Factor	Emission Level	Limits	Margin	Detector Type
	(MHz)	(dBuV)	(dB)	(dB)	(dB)	(dBuV/m)	(dBuV/m)	(dB)	
High Channel: 2462MHz									
V	4924.00	67.43	38.75	7.46	25.45	61.59	74.00	-12.41	PK
V	4924.00	52.24	38.75	7.46	25.45	46.40	54.00	-7.60	AV
V	7386.00	69.28	38.65	7.22	24.78	62.63	74.00	-11.37	PK
V	7386.00	49.61	38.65	7.22	24.78	42.96	54.00	-11.04	AV
H	4924.00	65.80	38.75	7.46	25.45	59.96	74.00	-14.04	PK
H	4924.00	49.50	38.75	7.46	25.45	43.66	54.00	-10.34	AV
H	7386.00	66.37	38.65	7.22	24.78	59.72	74.00	-14.28	PK
H	7386.00	50.60	38.65	7.22	24.78	43.95	54.00	-10.05	AV

Remark:

1. Emission Level = Meter Reading + Antenna Factor + Cable Loss – Pre-amplifier,

Margin= Emission Level - Limit

2. If peak below the average limit, the average emission was no test.

3. The amplitude of spurious emissions which are attenuated by more than 20dB below the permissible value has no need to be reported.

**802.11g**

Polar (H/V)	Frequency	Meter Reading	Pre-amplifier	Cable Loss	Antenna Factor	Emission Level	Limits	Margin	Detector Type
	(MHz)	(dBuV)	(dB)	(dB)	(dB)	(dBuV/m)	(dBuV/m)	(dB)	
Low Channel:2412MHz									
V	4824.00	68.12	39.55	7.85	25.66	62.08	74.00	-11.92	PK
V	4824.00	51.42	39.55	7.85	25.66	45.38	54.00	-8.62	AV
V	7236.00	68.59	38.33	7.52	24.55	62.33	74.00	-11.67	PK
V	7236.00	50.90	38.33	7.52	24.55	44.64	54.00	-9.36	AV
H	4824.00	65.19	39.55	7.85	25.66	59.15	74.00	-14.85	PK
H	4824.00	50.79	39.55	7.85	25.66	44.75	54.00	-9.25	AV
H	7236.00	66.82	38.33	7.52	24.55	60.56	74.00	-13.44	PK
H	7236.00	51.07	38.33	7.52	24.55	44.81	54.00	-9.19	AV

Polar (H/V)	Frequency	Meter Reading	Pre-amplifier	Cable Loss	Antenna Factor	Emission Level	Limits	Margin	Detector Type
	(MHz)	(dBuV)	(dB)	(dB)	(dB)	(dBuV/m)	(dBuV/m)	(dB)	
Middle Channel:2437MHz									
V	4874.00	68.69	38.89	7.57	25.45	62.82	74.00	-11.18	PK
V	4874.00	51.39	38.89	7.57	25.45	45.52	54.00	-8.48	AV
V	7311.00	68.49	38.78	7.35	24.78	61.84	74.00	-12.16	PK
V	7311.00	49.79	38.78	7.35	24.78	43.14	54.00	-10.86	AV
H	4874.00	64.59	38.89	7.57	25.45	58.72	74.00	-15.28	PK
H	4874.00	50.64	38.89	7.57	25.45	44.77	54.00	-9.23	AV
H	7311.00	66.32	38.78	7.35	24.78	59.67	74.00	-14.33	PK
H	7311.00	49.63	38.78	7.35	24.78	42.98	54.00	-11.02	AV

Polar (H/V)	Frequency	Meter Reading	Pre-amplifier	Cable Loss	Antenna Factor	Emission Level	Limits	Margin	Detector Type
	(MHz)	(dBuV)	(dB)	(dB)	(dB)	(dBuV/m)	(dBuV/m)	(dB)	
High Channel: 2462MHz									
V	4924.00	68.74	38.75	7.46	25.45	62.90	74.00	-11.10	PK
V	4924.00	52.76	38.75	7.46	25.45	46.92	54.00	-7.08	AV
V	7386.00	69.86	38.65	7.22	24.78	63.21	74.00	-10.79	PK
V	7386.00	48.73	38.65	7.22	24.78	42.08	54.00	-11.92	AV
H	4924.00	65.33	38.75	7.46	25.45	59.49	74.00	-14.51	PK
H	4924.00	50.65	38.75	7.46	25.45	44.81	54.00	-9.19	AV
H	7386.00	67.73	38.65	7.22	24.78	61.08	74.00	-12.92	PK
H	7386.00	50.67	38.65	7.22	24.78	44.02	54.00	-9.98	AV

Remark:

1. Emission Level = Meter Reading + Antenna Factor + Cable Loss – Pre-amplifier,

Margin= Emission Level - Limit

2. If peak below the average limit, the average emission was no test.

3. The amplitude of spurious emissions which are attenuated by more than 20dB below the permissible value has no need to be reported.



**802.11n(20MHz)**

Polar (H/V)	Frequency	Meter Reading	Pre-amplifier	Cable Loss	Antenna Factor	Emission Level	Limits	Margin	Detector Type
	(MHz)	(dBuV)	(dB)	(dB)	(dB)	(dBuV/m)	(dBuV/m)	(dB)	
Low Channel:2412MHz									
V	4824.00	68.72	39.55	7.85	25.66	62.68	74.00	-11.32	PK
V	4824.00	52.52	39.55	7.85	25.66	46.48	54.00	-7.52	AV
V	7236.00	68.89	38.33	7.52	24.55	62.63	74.00	-11.37	PK
V	7236.00	49.64	38.33	7.52	24.55	43.38	54.00	-10.62	AV
H	4824.00	64.31	39.55	7.85	25.66	58.27	74.00	-15.73	PK
H	4824.00	52.02	39.55	7.85	25.66	45.98	54.00	-8.02	AV
H	7236.00	69.20	38.33	7.52	24.55	62.94	74.00	-11.06	PK
H	7236.00	49.80	38.33	7.52	24.55	43.54	54.00	-10.46	AV

Polar (H/V)	Frequency	Meter Reading	Pre-amplifier	Cable Loss	Antenna Factor	Emission Level	Limits	Margin	Detector Type
	(MHz)	(dBuV)	(dB)	(dB)	(dB)	(dBuV/m)	(dBuV/m)	(dB)	
Middle Channel:2437MHz									
V	4874.00	69.51	38.89	7.57	25.45	63.64	74.00	-10.36	PK
V	4874.00	52.56	38.89	7.57	25.45	46.69	54.00	-7.31	AV
V	7311.00	67.68	38.78	7.35	24.78	61.03	74.00	-12.97	PK
V	7311.00	48.19	38.78	7.35	24.78	41.54	54.00	-12.46	AV
H	4874.00	63.47	38.89	7.57	25.45	57.60	74.00	-16.40	PK
H	4874.00	52.18	38.89	7.57	25.45	46.31	54.00	-7.69	AV
H	7311.00	69.15	38.78	7.35	24.78	62.50	74.00	-11.50	PK
H	7311.00	49.35	38.78	7.35	24.78	42.70	54.00	-11.30	AV

Polar (H/V)	Frequency	Meter Reading	Pre-amplifier	Cable Loss	Antenna Factor	Emission Level	Limits	Margin	Detector Type
	(MHz)	(dBuV)	(dB)	(dB)	(dB)	(dBuV/m)	(dBuV/m)	(dB)	
High Channel: 2462MHz									
V	4924.00	70.28	38.75	7.46	25.45	64.44	74.00	-9.56	PK
V	4924.00	53.13	38.75	7.46	25.45	47.29	54.00	-6.71	AV
V	7386.00	67.89	38.65	7.22	24.78	61.24	74.00	-12.76	PK
V	7386.00	47.15	38.65	7.22	24.78	40.50	54.00	-13.50	AV
H	4924.00	63.49	38.75	7.46	25.45	57.65	74.00	-16.35	PK
H	4924.00	51.15	38.75	7.46	25.45	45.31	54.00	-8.69	AV
H	7386.00	69.54	38.65	7.22	24.78	62.89	74.00	-11.11	PK
H	7386.00	49.53	38.65	7.22	24.78	42.88	54.00	-11.12	AV

Remark:

1. Emission Level = Meter Reading + Antenna Factor + Cable Loss – Pre-amplifier,

Margin= Emission Level - Limit

2. If peak below the average limit, the average emission was no test.

3. The amplitude of spurious emissions which are attenuated by more than 20dB below the permissible value has no need to be reported.

**802.11n(40MHz)**

Polar (H/V)	Frequency	Meter Reading	Pre-amplifier	Cable Loss	Antenna Factor	Emission Level	Limits	Margin	Detector Type
	(MHz)	(dBuV)	(dB)	(dB)	(dB)	(dBuV/m)	(dBuV/m)	(dB)	
Low Channel:2422MHz									
V	4844.00	70.62	39.55	7.77	25.66	64.50	74.00	-9.50	Pk
V	4844.00	54.77	39.55	7.77	25.66	48.65	54.00	-5.35	AV
V	7266.00	67.28	38.33	7.3	24.55	60.80	74.00	-13.20	Pk
V	7266.00	46.70	38.33	7.3	24.55	40.22	54.00	-13.78	AV
H	4844.00	64.37	39.55	7.77	25.66	58.25	74.00	-15.75	Pk
H	4844.00	52.48	39.55	7.77	25.66	46.36	54.00	-7.64	AV
H	7266.00	69.31	38.33	7.3	24.55	62.83	74.00	-11.17	Pk
H	7266.00	50.78	38.33	7.3	24.55	44.30	54.00	-9.70	AV

Polar (H/V)	Frequency	Meter Reading	Pre-amplifier	Cable Loss	Antenna Factor	Emission Level	Limits	Margin	Detector Type
	(MHz)	(dBuV)	(dB)	(dB)	(dB)	(dBuV/m)	(dBuV/m)	(dB)	
Middle Channel:2437MHz									
V	4874.00	70.40	38.89	7.57	25.45	64.53	74.00	-9.47	PK
V	4874.00	54.72	38.89	7.57	25.45	48.85	54.00	-5.15	AV
V	7311.00	67.05	38.78	7.35	24.78	60.40	74.00	-13.60	PK
V	7311.00	47.29	38.78	7.35	24.78	40.64	54.00	-13.36	AV
H	4874.00	65.76	38.89	7.57	25.45	59.89	74.00	-14.11	PK
H	4874.00	51.03	38.89	7.57	25.45	45.16	54.00	-8.84	AV
H	7311.00	67.86	38.78	7.35	24.78	61.21	74.00	-12.79	PK
H	7311.00	50.59	38.78	7.35	24.78	43.94	54.00	-10.06	AV

Polar (H/V)	Frequency	Meter Reading	Pre-amplifier	Cable Loss	Antenna Factor	Emission Level	Limits	Margin	Detector Type
	(MHz)	(dBuV)	(dB)	(dB)	(dB)	(dBuV/m)	(dBuV/m)	(dB)	
High Channel: 2452MHz									
V	4904.00	71.65	38.75	7.38	25.45	65.73	74.00	-8.27	PK
V	4904.00	55.28	38.75	7.38	25.45	49.36	54.00	-4.64	AV
V	7356.00	67.63	38.65	7.15	24.78	60.91	74.00	-13.09	PK
V	7356.00	48.77	38.65	7.15	24.78	42.05	54.00	-11.95	AV
H	4904.00	65.14	38.75	7.38	25.45	59.22	74.00	-14.78	PK
H	4904.00	52.46	38.75	7.38	25.45	46.54	54.00	-7.46	AV
H	7356.00	69.02	38.65	7.15	24.78	62.30	74.00	-11.70	PK
H	7356.00	51.81	38.65	7.15	24.78	45.09	54.00	-8.91	AV

Remark:

1. Emission Level = Meter Reading + Antenna Factor + Cable Loss – Pre-amplifier,

Margin= Emission Level - Limit

2. If peak below the average limit, the average emission was no test.

3. The amplitude of spurious emissions which are attenuated by more than 20dB below the permissible value has no need to be reported.

### 3.3 RADIATED BAND EMISSION MEASUREMENT

#### 3.3.1 TEST REQUIREMENT:

FCC Part15 C Section 15.209 and 15.205

LIMITS OF RADIATED EMISSION MEASUREMENT (Above 1000MHz)

FREQUENCY (MHz)	Class B (dBuV/m) (at 3M)	
	PEAK	AVERAGE
Above 1000	74	54

Notes:

- (1) The limit for radiated test was performed according to FCC PART 15C.
- (2) The tighter limit applies at the band edges.
- (3) Emission level (dBuV/m)=20log Emission level (uV/m).

Spectrum Parameter	Setting
Attenuation	Auto
Start Frequency	2300MHz
Stop Frequency	2520
RB / VB (emission in restricted band)	1 MHz / 1 MHz for Peak, 1 MHz / 10Hz for Average

#### 3.3.2 TEST PROCEDURE

Above 1GHz test procedure as below:

- a. 1. The EUT was placed on the top of a rotating table 1.5 meters above the ground at a 3 meter camber. The table was rotated 360 degrees to determine the position of the highest radiation.
- b. The EUT was set 3 meters away from the interference-receiving antenna, which was mounted on the top of a variable-height antenna tower.
- c. The antenna height is varied from one meter to four meters above the ground to determine the maximum value of the field strength. Both horizontal and vertical polarizations of the antenna are set to make the measurement.
- d. For each suspected emission, the EUT was arranged to its worst case and then the antenna was tuned to heights from 1 meter to 4 meters and the rota table was turned from 0 degrees to 360 degrees to find the maximum reading.
- e. The test-receiver system was set to Peak Detect Function and Specified Bandwidth with Maximum Hold Mode.
- f. If the emission level of the EUT in peak mode was 10dB lower than the limit specified, then testing could be stopped and the peak values of the EUT would be reported. Otherwise the emissions that did not have 10dB margin would be re-tested one by one using peak, quasi-peak or average method as specified and then reported in a data sheet.
- g. Test the EUT in the lowest channel,the Highest channel

Note:

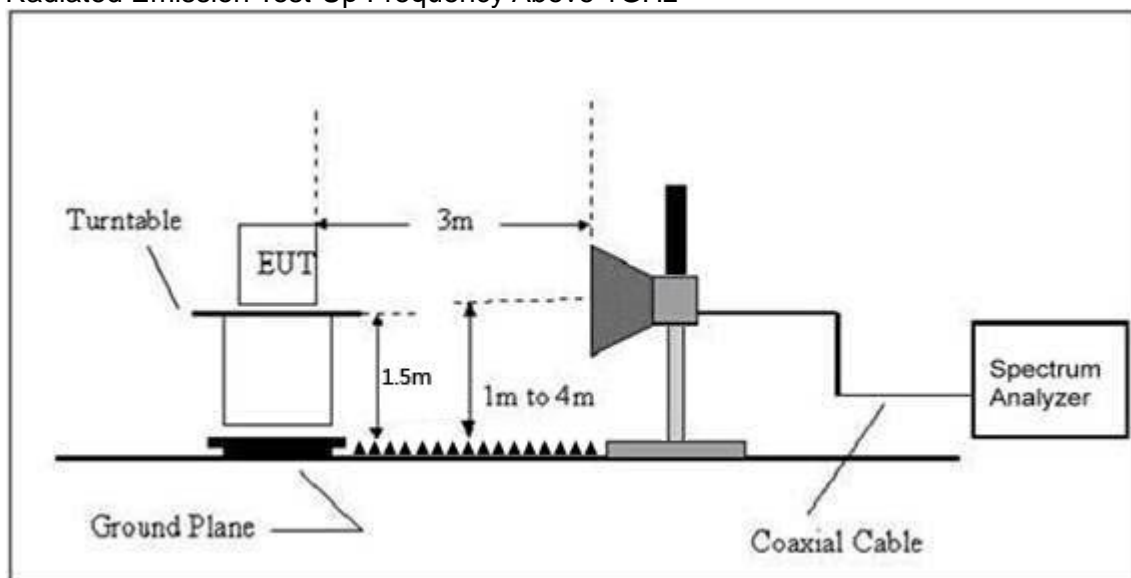
Both horizontal and vertical antenna polarities were tested and performed pretest to three orthogonal axis. The worst case emissions were reported

### 3.3.3 DEVIATION FROM TEST STANDARD

No deviation

### 3.3.4 TEST SETUP

Radiated Emission Test-Up Frequency Above 1GHz



### 3.3.5 EUT OPERATING CONDITIONS

The EUT tested system was configured as the statements of 2.3 Unless otherwise a special operating condition is specified in the follows during the testing.

**3.3.6 TEST RESULT**

	Polar (H/V)	Frequency (MHz)	Meter Reading (dBuV)	Pre-amplifier (dB)	Cable Loss (dB)	Antenna Factor (dB/m)	Emission level (dBuV/m)	Limits (dBuV/m)		Result
							PK	□PK	AV	
802.11b	<b>Low Channel 2412MHz</b>									
	H	2390.00	60.67	38.06	7.42	20.15	50.18	74.00	54.00	PASS
	H	2400.00	50.82	38.06	7.42	20.15	40.33	74.00	54.00	PASS
	V	2390.00	61.99	38.06	7.42	20.15	51.50	74.00	54.00	PASS
	V	2400.00	53.13	38.06	7.42	20.15	42.64	74.00	54.00	PASS
	<b>High Channel 2462MHz</b>									
	H	2483.50	59.69	38.17	7.45	20.54	49.51	74.00	54.00	PASS
	H	2500.00	54.41	38.17	7.45	20.54	44.23	74.00	54.00	PASS
	V	2483.50	61.62	38.17	7.45	20.54	51.44	74.00	54.00	PASS
	V	2500.00	52.08	38.17	7.45	20.54	41.90	74.00	54.00	PASS
802.11g	<b>Low Channel 2412MHz</b>									
	H	2390.00	60.26	38.06	7.42	20.15	49.77	74.00	54.00	PASS
	H	2400.00	51.98	38.06	7.42	20.15	41.49	74.00	54.00	PASS
	V	2390.00	62.08	38.06	7.42	20.15	51.59	74.00	54.00	PASS
	V	2400.00	52.26	38.06	7.42	20.15	41.77	74.00	54.00	PASS
	<b>High Channel 2462MHz</b>									
	H	2483.50	60.97	38.17	7.45	20.54	50.79	74.00	54.00	PASS
	H	2500.00	53.49	38.17	7.45	20.54	43.31	74.00	54.00	PASS
	V	2483.50	61.99	38.17	7.45	20.54	51.81	74.00	54.00	PASS
	V	2500.00	51.92	38.17	7.45	20.54	41.74	74.00	54.00	PASS
802.11n20	<b>Low Channel 2412MHz</b>									
	H	2390.00	63.48	38.06	7.42	20.15	52.99	74.00	54.00	PASS
	H	2400.00	54.04	38.06	7.42	20.15	43.55	74.00	54.00	PASS
	V	2390.00	60.68	38.06	7.42	20.15	50.19	74.00	54.00	PASS
	V	2400.00	51.09	38.06	7.42	20.15	40.60	74.00	54.00	PASS
	<b>High Channel 2462MHz</b>									
	H	2483.50	59.80	38.17	7.45	20.54	49.62	74.00	54.00	PASS
	H	2500.00	52.80	38.17	7.45	20.54	42.62	74.00	54.00	PASS
	V	2483.50	61.16	38.17	7.45	20.54	50.98	74.00	54.00	PASS
	V	2500.00	53.04	38.17	7.45	20.54	42.86	74.00	54.00	PASS
802.11n40	<b>Low Channel 2422MHz</b>									
	H	2390.00	60.11	38.06	7.42	20.15	49.62	74.00	54.00	PASS
	H	2400.00	54.92	38.06	7.42	20.15	44.43	74.00	54.00	PASS
	V	2390.00	61.07	38.06	7.42	20.15	50.58	74.00	54.00	PASS
	V	2400.00	55.59	38.06	7.42	20.15	45.10	74.00	54.00	PASS
	<b>High Channel 2452MHz</b>									
	H	2483.50	61.26	38.17	7.45	20.54	51.08	74.00	54.00	PASS
	H	2500.00	52.27	38.17	7.45	20.54	42.09	74.00	54.00	PASS
	V	2483.50	60.14	38.17	7.45	20.54	49.96	74.00	54.00	PASS
	V	2500.00	52.14	38.17	7.45	20.54	41.96	74.00	54.00	PASS
<b>Remark:</b>										
1. Emission Level = Meter Reading + Antenna Factor + Cable Loss – Pre-amplifier, Margin= Emission Level - Limit										
2. If the PK measured levels comply with average limit, then the average level were deemed to comply with average limit.										
* is stand for AV measured.										

## 4. POWER SPECTRAL DENSITY TEST

### 4.1 APPLIED PROCEDURES / LIMIT

FCC Part15 (15.247) , Subpart C				
Section	Test Item	Limit	Frequency Range (MHz)	Result
15.247	Power Spectral Density	8 dBm (in any 3KHz)	2400-2483.5	PASS

#### 4.1.1 TEST PROCEDURE

1. Set analyzer center frequency to DTS channel center frequency.
2. Set the span to 1.5 times the DTS bandwidth.
3. Set the RBW to: 3 kHz.
4. Set the VBW  $\geq 3 \times$  RBW.
5. Detector = peak.
6. Sweep time = auto couple.
7. Trace mode = max hold.
8. Allow trace to fully stabilize.
9. Use the peak marker function to determine the maximum amplitude level within the RBW.
10. If measured value exceeds limit, reduce RBW (no less than 3 kHz) and repeat.

#### 4.1.2 DEVIATION FROM STANDARD

No deviation.

#### 4.1.3 TEST SETUP



#### 4.1.4 EUT OPERATION CONDITIONS

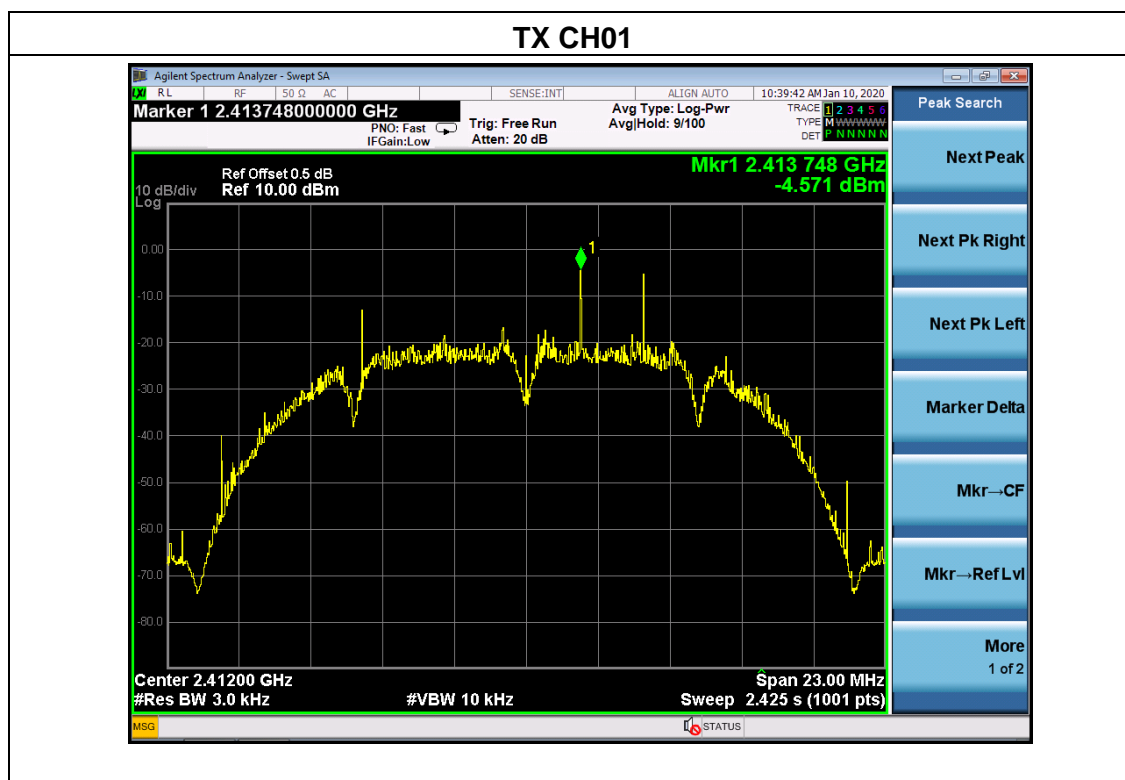
The EUT tested system was configured as the statements of 2.1 Unless otherwise a special operating condition is specified in the follows during the testing.

Note: Power Spectral Density(dBm)=Reading+Cable Loss

### 4.1.5 TEST RESULTS

Temperature :	26℃	Relative Humidity :	54%
Pressure :	101kPa	Test Voltage :	AC120V 60Hz
Test Mode :	TX b Mode		

Frequency	Power Spectral Density(dBm/3k Hz)	Limit (dBm/3kHz)	Result
2412 MHz	-4.571	8	PASS
2437 MHz	-5.447	8	PASS
2462 MHz	-5.301	8	PASS



### TX CH06



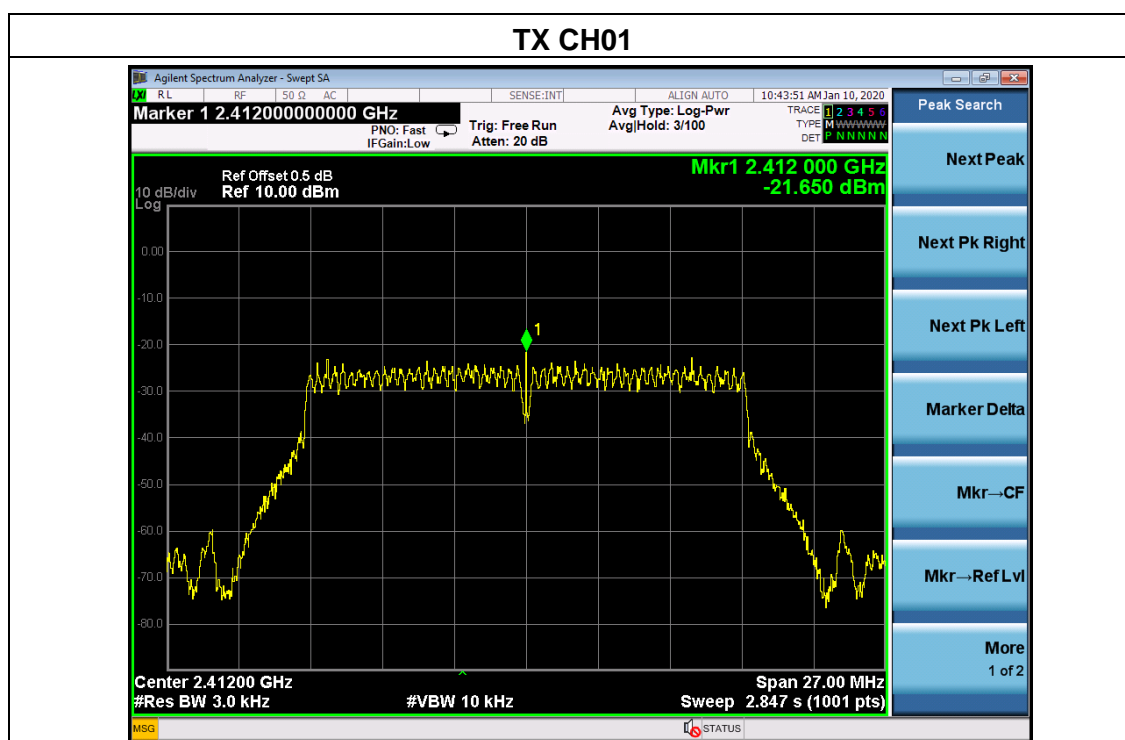
### TX CH11

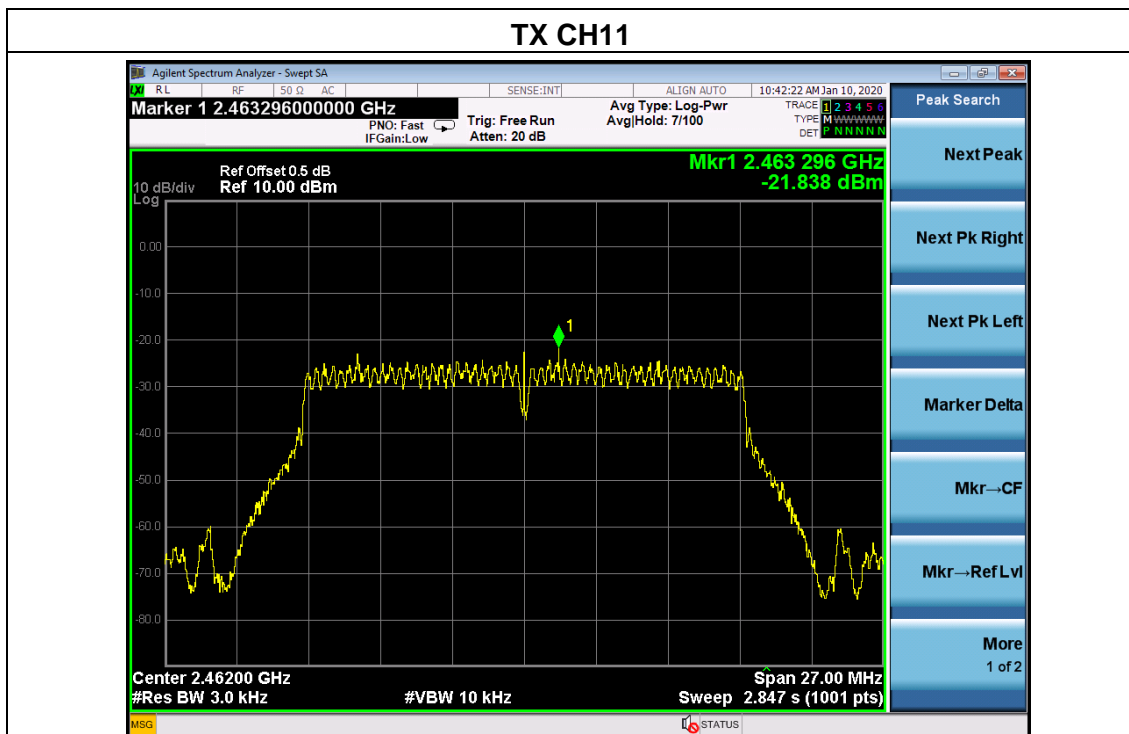
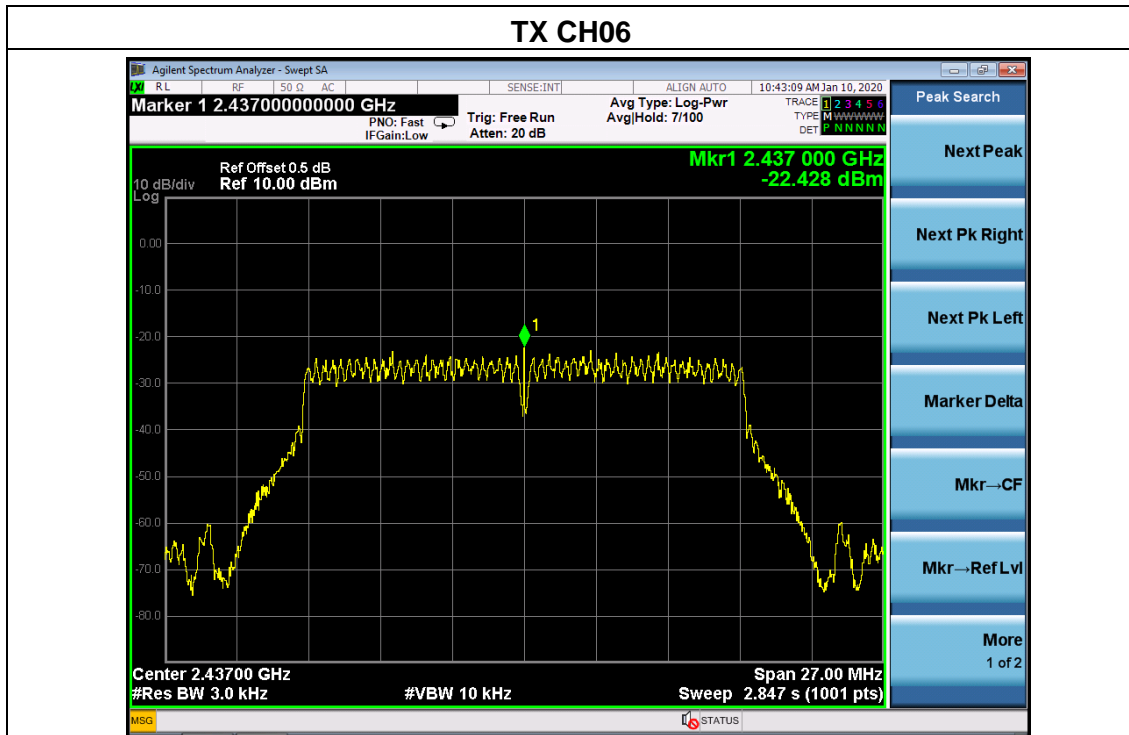




Temperature :	26°C	Relative Humidity :	54%
Pressure :	101kPa	Test Voltage :	AC120V 60Hz
Test Mode :	TX g Mode		

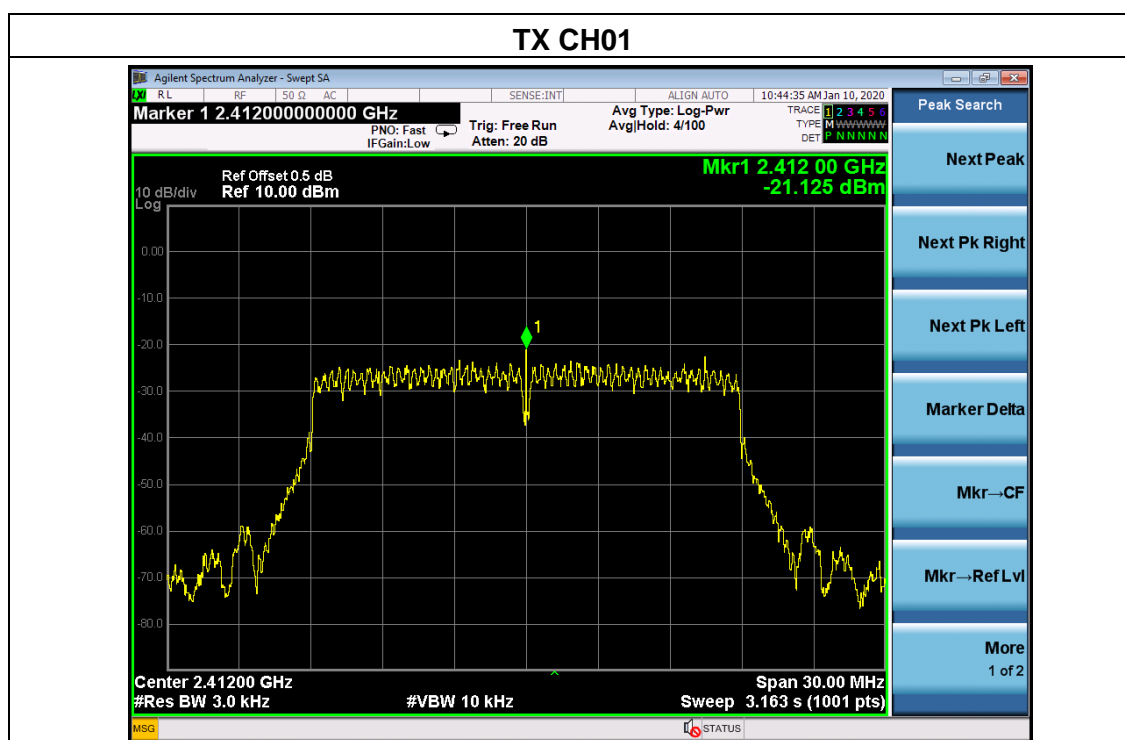
Frequency	Power Spectral Density(dBm/3k Hz)	Limit (dBm/3kHz)	Result
2412 MHz	-21.650	8	PASS
2437 MHz	-22.428	8	PASS
2462 MHz	-21.838	8	PASS



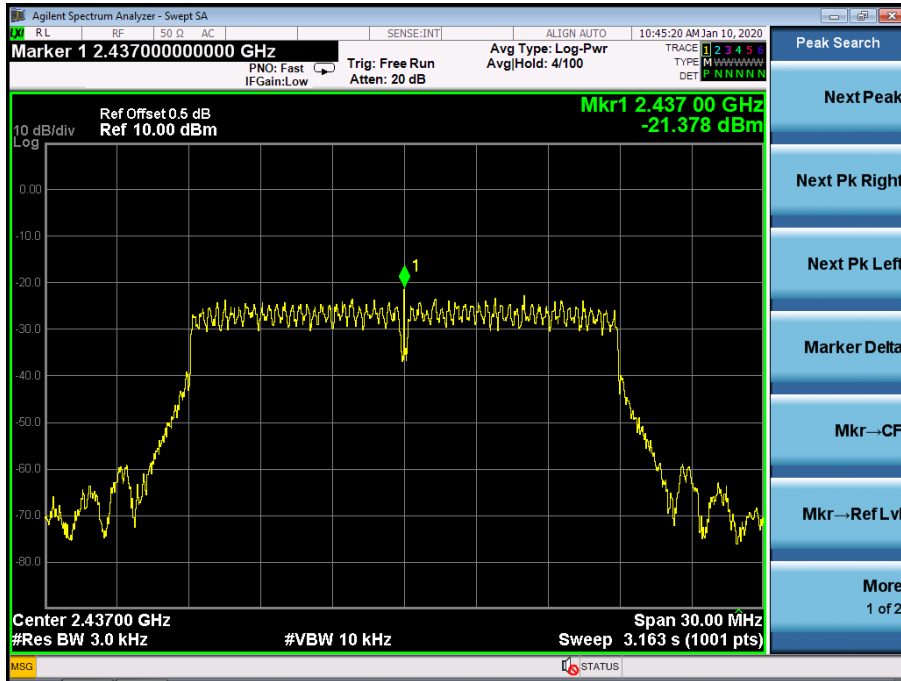


Temperature :	26°C	Relative Humidity :	54%
Pressure :	101kPa	Test Voltage :	AC120V 60Hz
Test Mode :	TX n Mode(20M)		

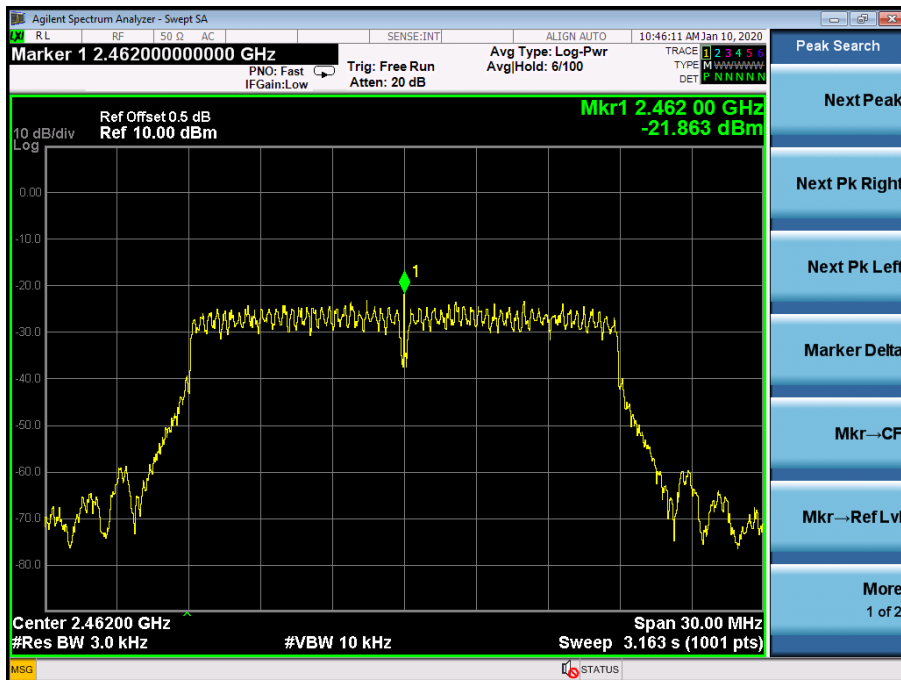
Frequency	Power Spectral Density(dBm/3k Hz)	Limit (dBm/3kHz)	Result
2412 MHz	-21.125	8	PASS
2437 MHz	-21.378	8	PASS
2462 MHz	-21.863	8	PASS



### TX CH06

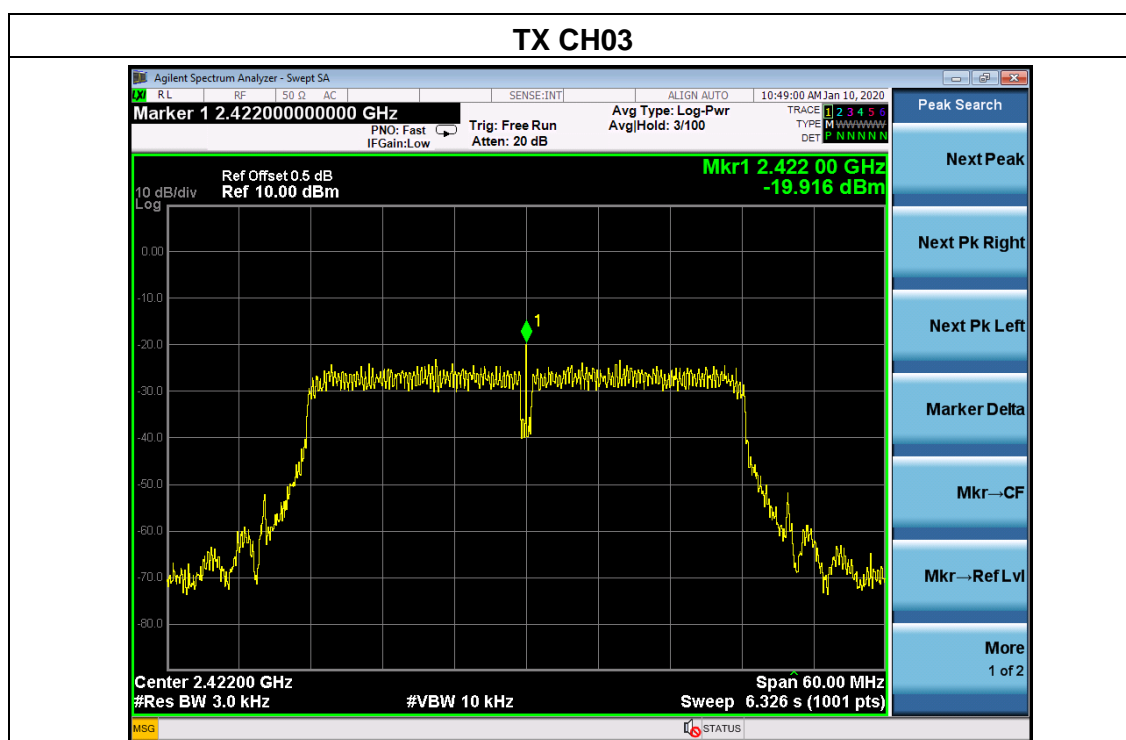


### TX CH11

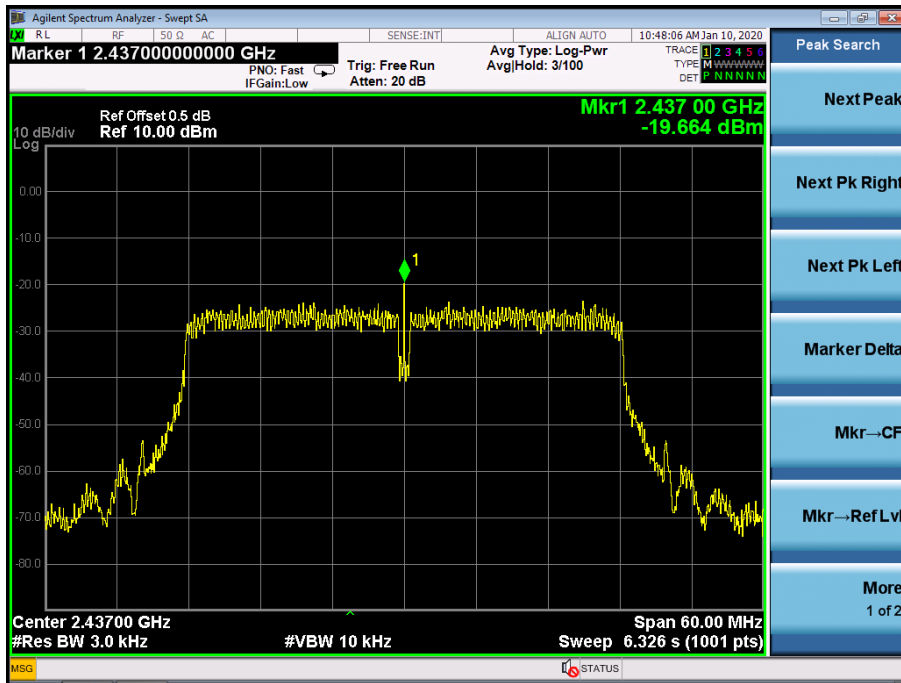


Temperature :	26°C	Relative Humidity :	54%
Pressure :	101kPa	Test Voltage :	AC120V 60Hz
Test Mode :	TX n Mode(40M)		

Frequency	Power Spectral Density(dBm/3k Hz)	Limit (dBm/3kHz)	Result
2422 MHz	-19.916	8	PASS
2437 MHz	-19.664	8	PASS
2452 MHz	-19.878	8	PASS



### TX CH06



### TX CH09



## 5. BANDWIDTH TEST

### 5.1 APPLIED PROCEDURES / LIMIT

FCC Part15 (15.247) , Subpart C				
Section	Test Item	Limit	Frequency Range (MHz)	Result
15.247(a)(2)	Bandwidth	$\geq 500\text{KHz}$ (6dB bandwidth)	2400-2483.5	PASS

#### 5.1.1 TEST PROCEDURE

1. Set RBW = 100 kHz.
2. Set the video bandwidth (VBW)  $\geq 3 \times$  RBW.
3. Detector = Peak.
4. Trace mode = max hold.
5. Sweep = auto couple.
6. Allow the trace to stabilize.
7. Measure the maximum width of the emission that is constrained by the frequencies associated with the two outermost amplitude points (upper and lower frequencies) that are attenuated by 6 dB relative to the maximum level measured in the fundamental emission.

#### 5.1.2 DEVIATION FROM STANDARD

No deviation.

#### 5.1.3 TEST SETUP



#### 5.1.4 EUT OPERATION CONDITIONS

The EUT tested system was configured as the statements of 2.4 Unless otherwise a special operating condition is specified in the follows during the testing.

### 5.1.5 TEST RESULTS

Temperature :	26°C	Relative Humidity :	54%
Pressure :	101kPa	Test Voltage :	AC120V 60Hz
Test Mode :	TX b Mode		

Frequency (MHz)	6dB bandwidth (MHz)	Limit (kHz)	Result
2412	12.51	500	Pass
2437	12.31	500	Pass
2462	12.30	500	Pass

