

EXHIBIT 11**Setup Drawings or Photographs****ANSI C63.4 Section 10.2.3 Equipment and cable arrangement**

The setup of the equipment and cable or wire placement on the test site that produces the highest radiated and the highest ac power-line conducted emissions shall be clearly shown and described. Drawings or photographs may be used for this purpose (see 10.2.12). A block diagram or photo showing the interconnection of the major functional units is also useful.

ANSI C63.4 Section 10.2.12 Test report appendixes

The test report shall contain photographs or detailed sketches of the EUT configuration and arrangement, showing sufficient information to allow the EUT to be reconfigured and arranged in a manner that would allow the original test to be replicated, with a high likelihood that the test results would be in agreement with the results of the original test within acceptable tolerances.

Response

Per ANSI C63.4, either the drawings or the photos on the test setup need to be provided.

The setup drawings and photos for measurement are provided below.

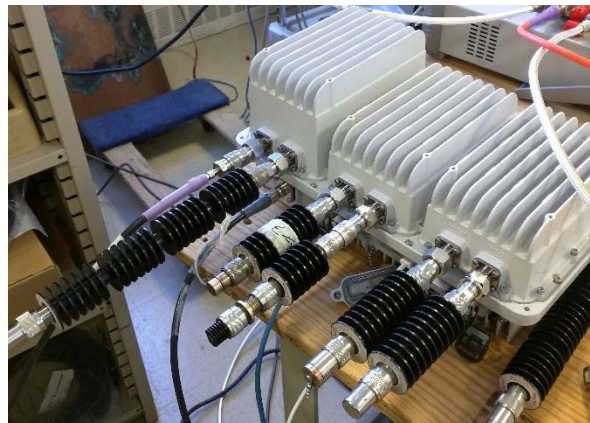
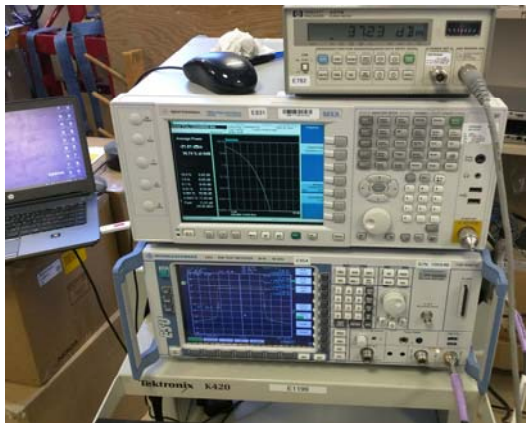
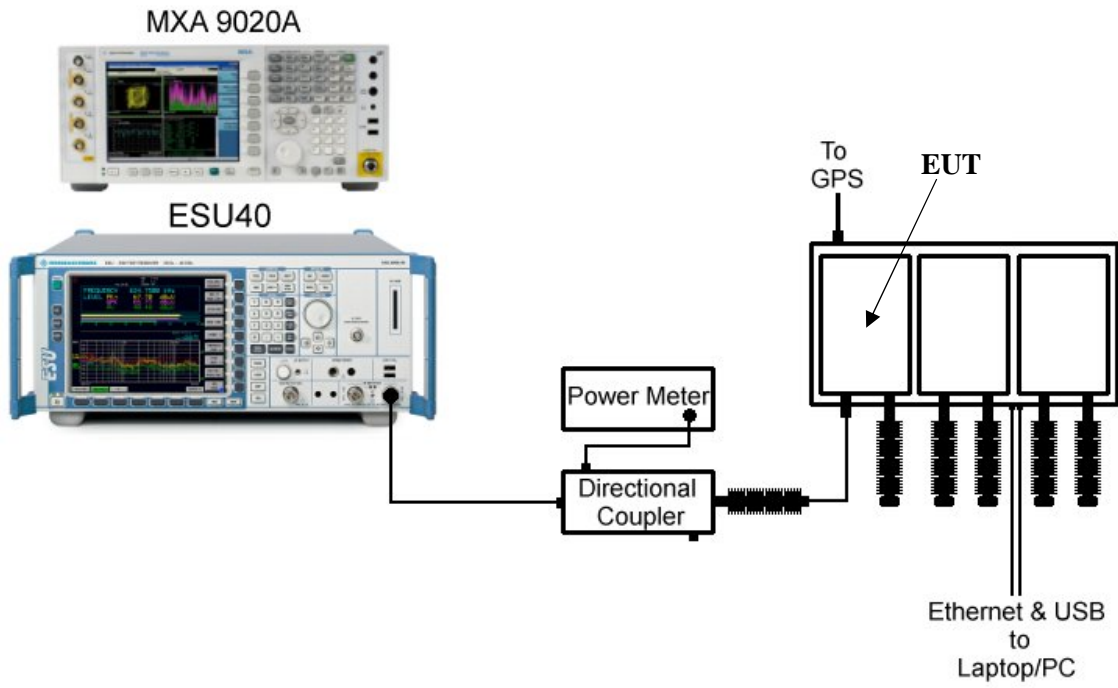


Figure 11.1 Setup Diagram and Diagram of Conducted Test at the Antenna Ports.

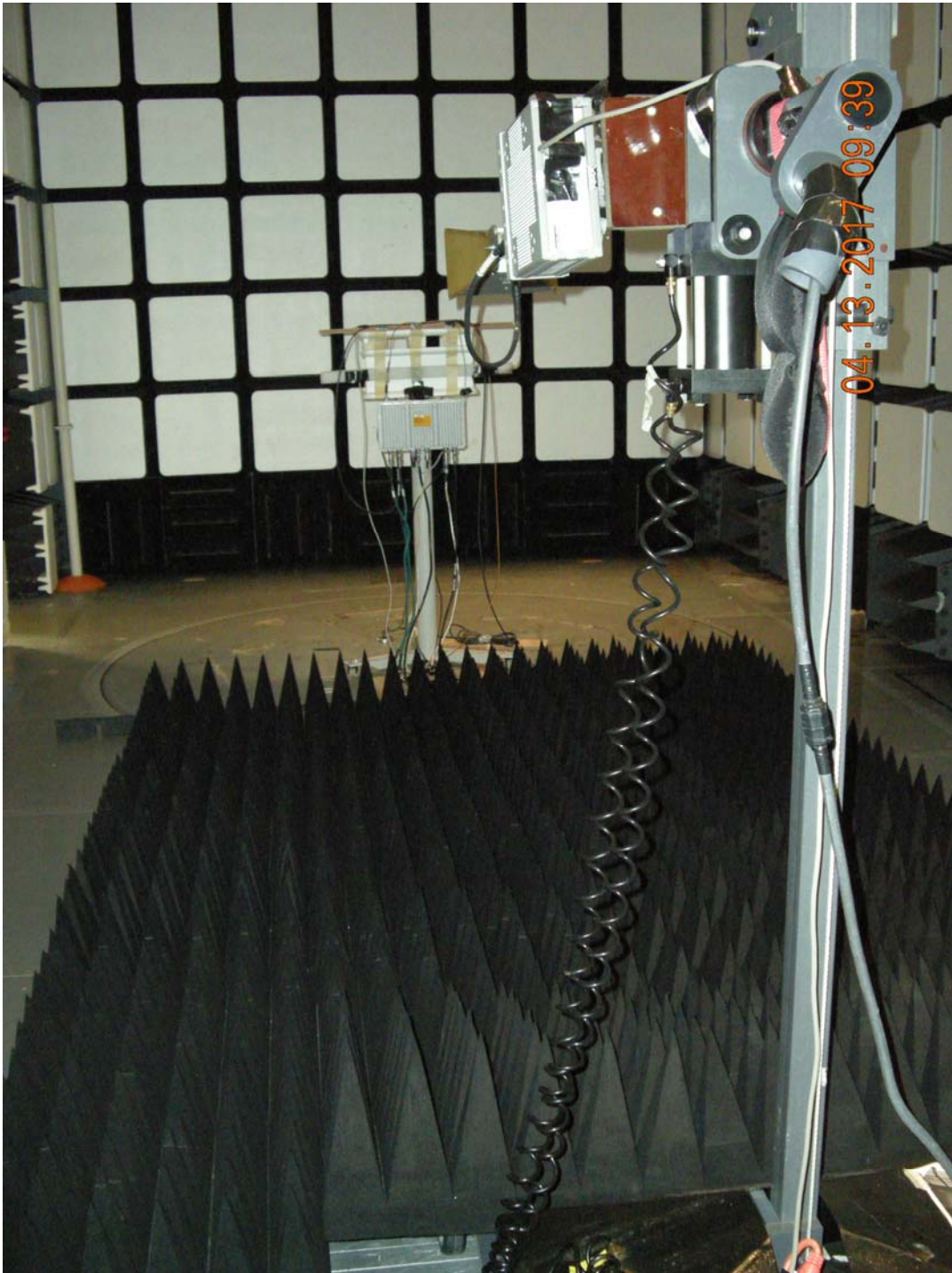


Figure 11.2 Setup Photo of Radiated Emissions Test