

Sonitor Location Transmitter INF-B246 –x and external pictures

The only difference between models INF-B246-U, -C and –B is the shape of the ultrasound waveguides.



Figure 1 INF-B246-C front with one omni-directional and four directional waveguides



Figure 2 INF-B246-B comes with one omni-directional waveguide (on left) and four waveguides (on right)

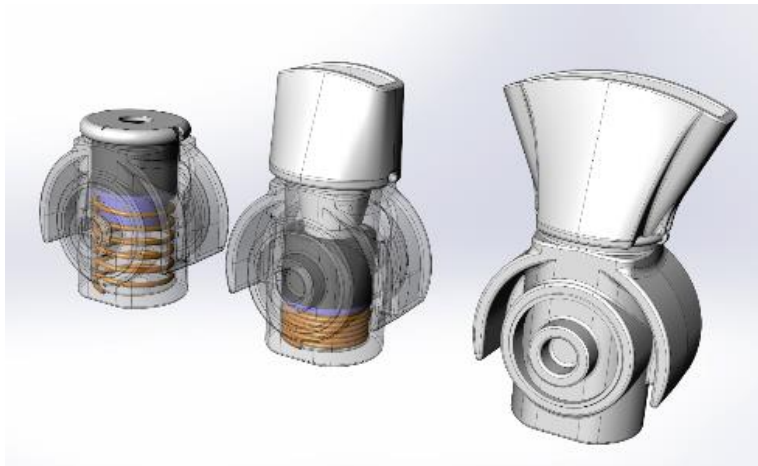


Figure 3 INF-B246-U pluggable waveguide options



Figure 4 INF-B246-C Back



Figure 5 INF-B246-B back



Figure 6 INF-B246-U back