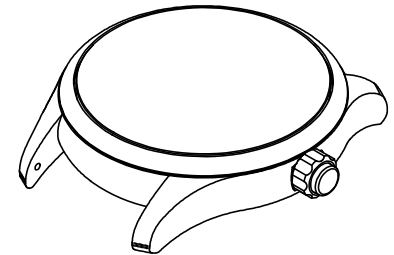
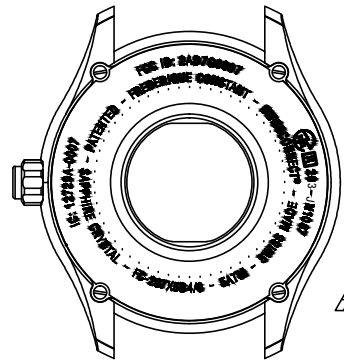
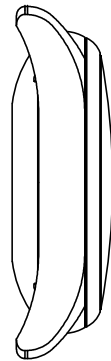
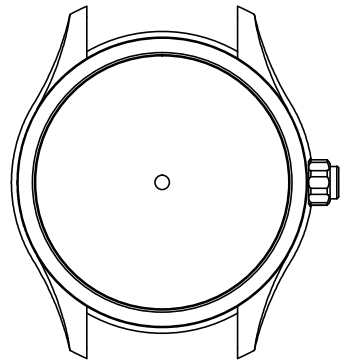
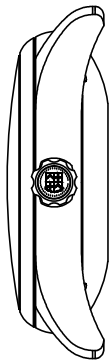
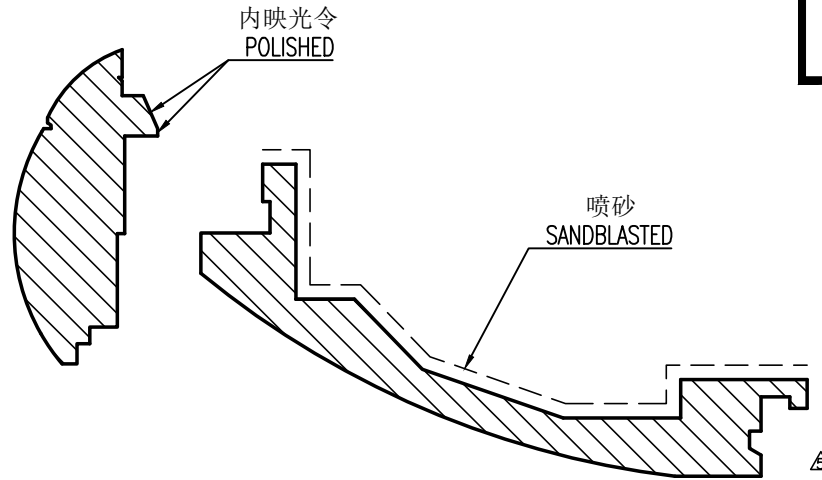




WING KWONG WATCHCASE FACTORY LTD.

打磨 A
Finishing A



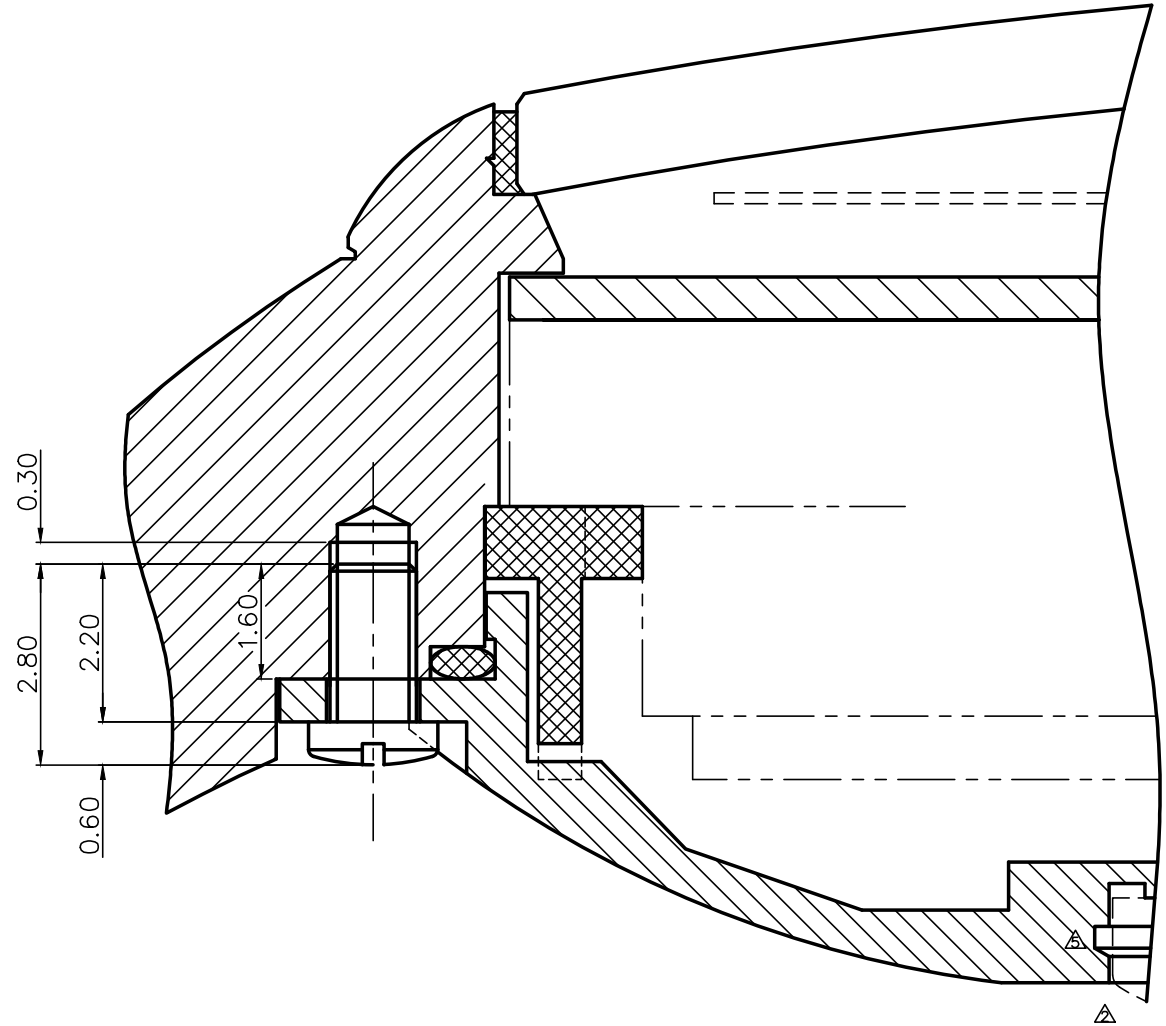
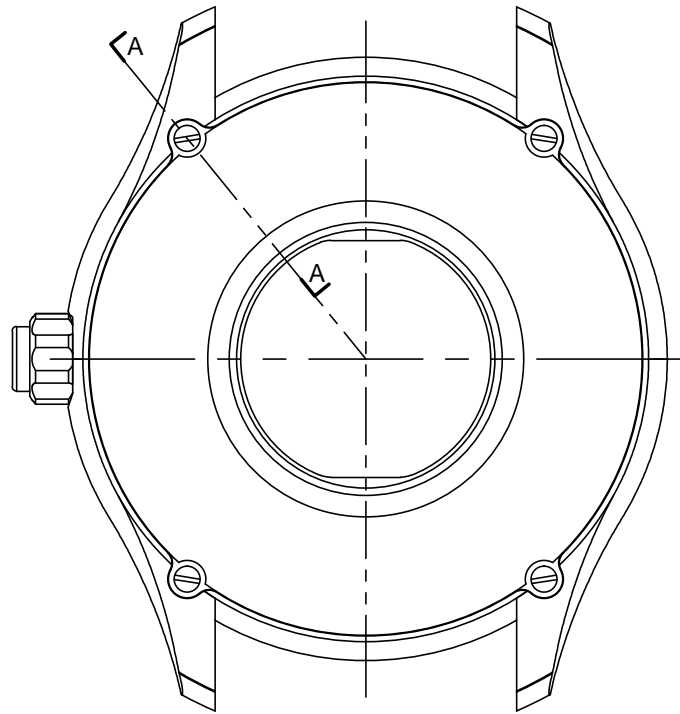
其余全光令
OTHER ALL POLISHED

△	2020-04-11
△	2020-04-03
△	2020-02-29
△	2019-10-31

△	2019-09-27	WK model	Customer model	Calibre	PARTS NAME 正本图	MATERIAL	W'PROOF	Angle±1°		
DATE:	2019-09-17	S 1180G287R1-00	CAFC287X5B6	FC287			5 ATM	0-30	>30-120	>120
								±0.10	±0.15	±0.20
Tolerance unless shown										



WING KWONG WATCHCASE FACTORY LTD.

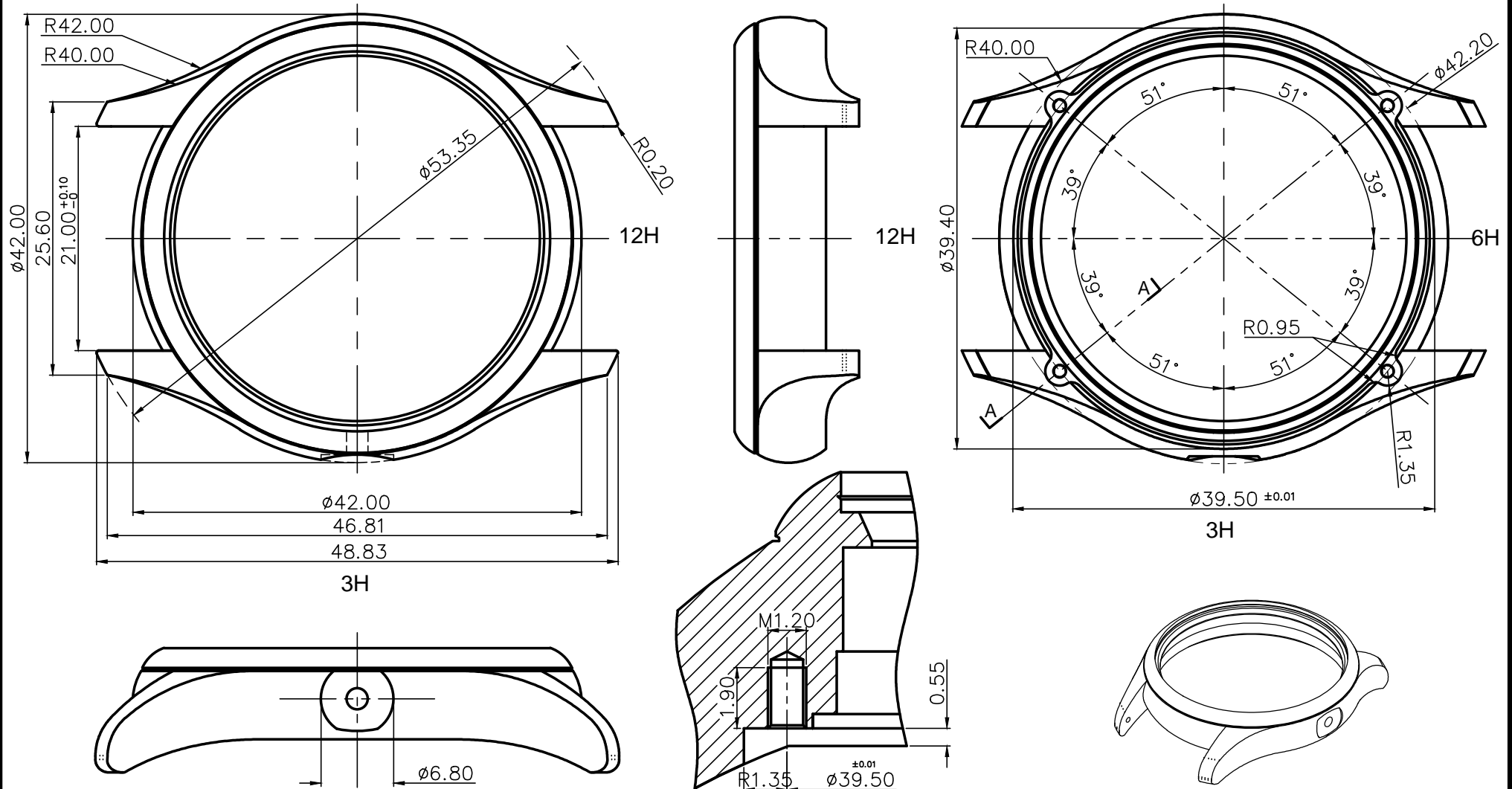


△	2020-02-29
△	2020-02-17
△	2019-10-31

△	2019-09-27	WK model	Customer model	Calibre	PARTS NAME 正本图	MATERIAL	W'PROOF	Angle±1°		
DATE:	2019-09-17	S 1180G287R1-02	CAFC287X5B6	FC287	ASSEMBLY		5 ATM	0-30	>30-120	>120
								±0.10	±0.15	±0.20
Tolerance unless shown										



WING KWONG WATCHCASE FACTORY LTD.



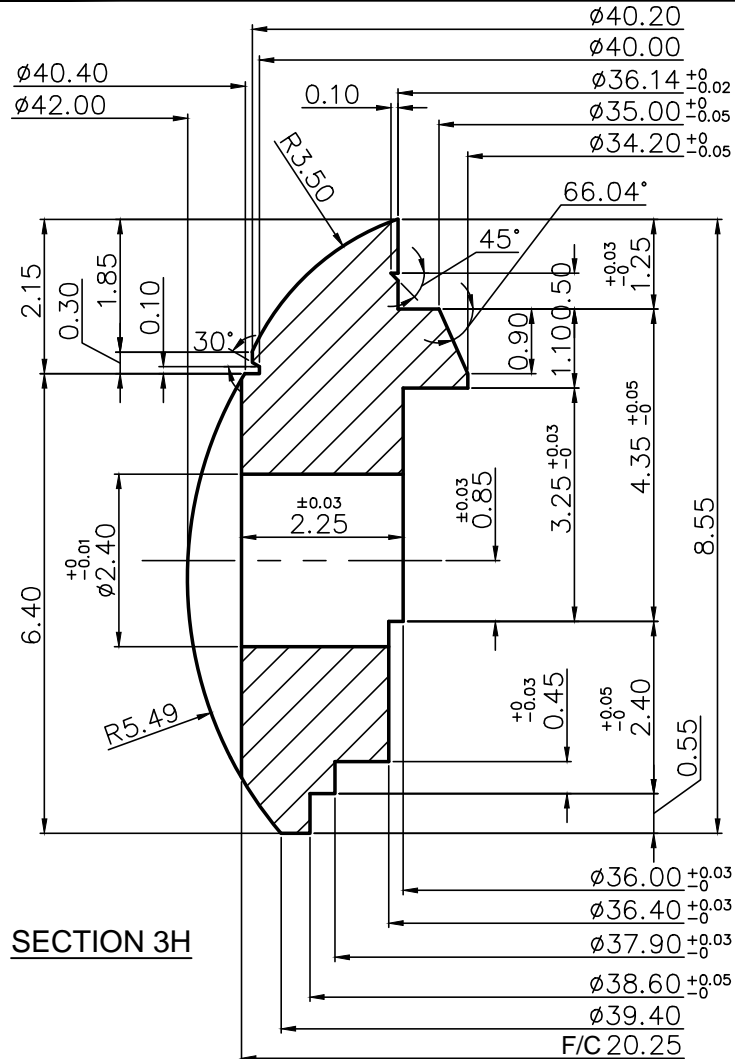
SECTION A-A

(* SAME AS S S 1180G287-FC287)CAFC287X5B6)

DATE:	2019-09-17	WK model	Customer model	Calibre	PARTS NAME <input checked="" type="checkbox"/> 正本图	MATERIAL	W'PROOF	Angle $\pm 1^\circ$		
		S 1180G287R1-04	CAFC287X5B6	FC287	CASE	STEEL 316L/1.4404	5 ATM	0-30	>30-120	>120
								± 0.10	± 0.15	± 0.20
Tolerance unless shown										

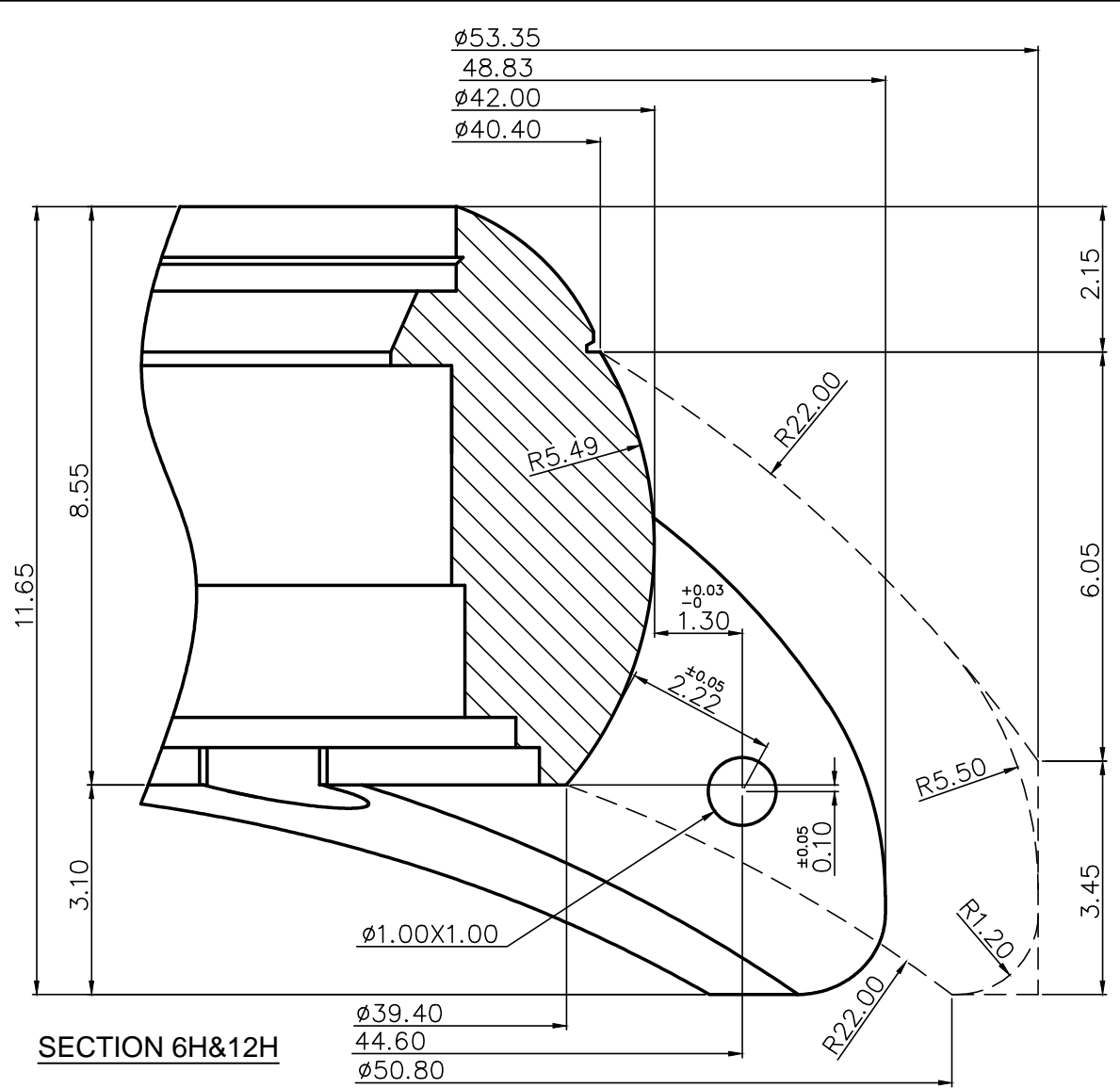


WING KWONG WATCHCASE FACTORY LTD.



SECTION 3H

(* SAME AS S S 1180G287-FC287)CAFC287X5B6)

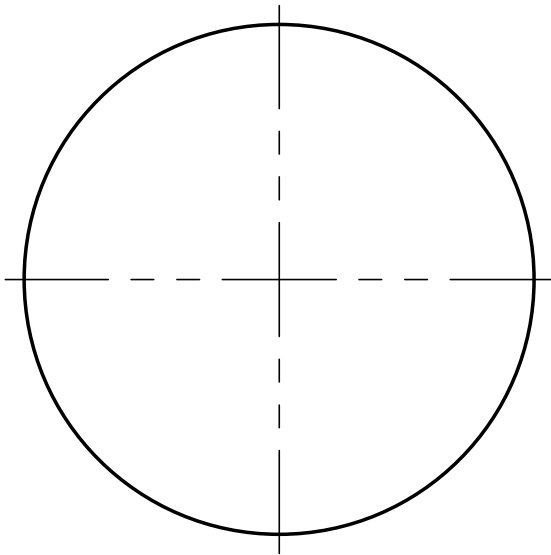


SECTION 6H&12H

		WK model	Customer model	Calibre	PARTS NAME 正本图	MATERIAL	W'PROOF	Angle±1°		
DATE:	2019-09-17	S 1180G287R1-05	CAFC287X5B6	FC287	CASE	STEEL 316L/1.4404	5 ATM	0-30	>30-120	>120
								±0.10	±0.15	±0.20
Tolerance unless shown										



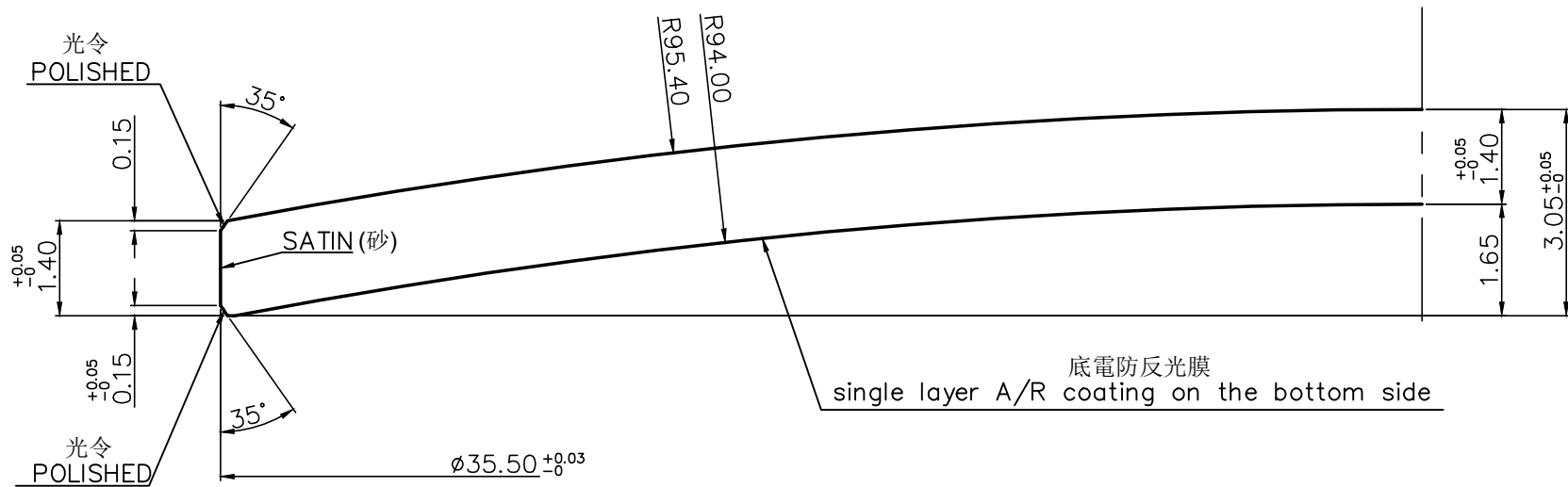
WING KWONG WATCHCASE FACTORY LTD.



客供应

PROVIDED BY CUSTOMER

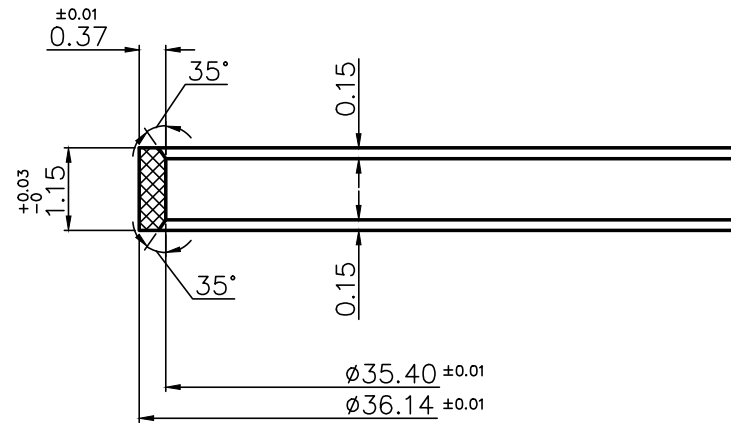
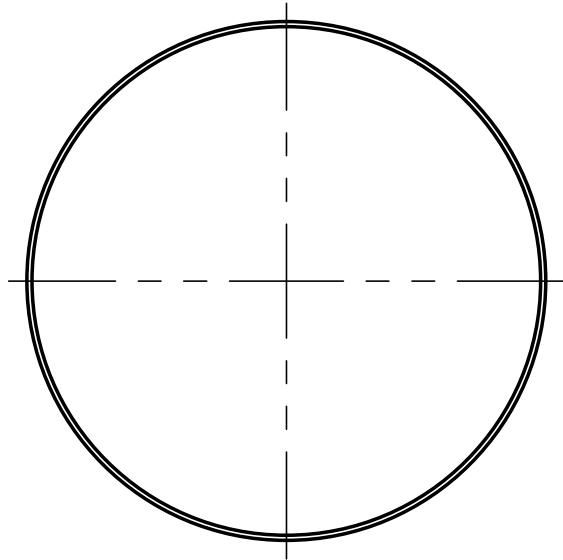
(* SAME AS S S 1180G287-FC287)CAFC287X5B6)



DATE:	2019-09-17	WK model	Customer model	Calibre	PARTS NAME 正本图	MATERIAL	W'PROOF	Angle $\pm 1^\circ$			
								0-30	>30-120	>120	
		S 1180G287R1-06	CAFC287X5B6	FC287	GLASS	SAPPHIRE	5 ATM	± 0.10	± 0.15	± 0.20	
									Tolerance unless shown		



WING KWONG WATCHCASE FACTORY LTD.

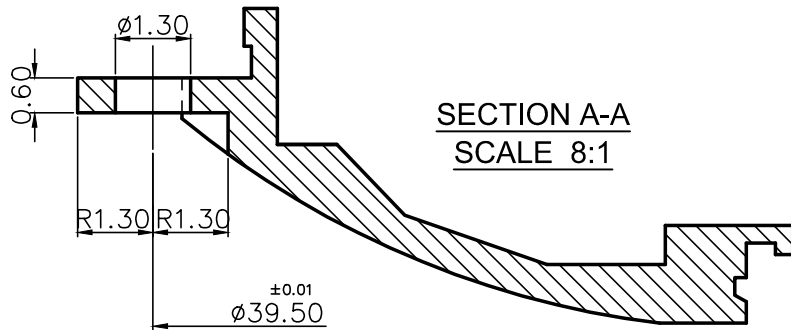


(* SAME AS S S 1180G287-FC287)CAFC287X5B6)

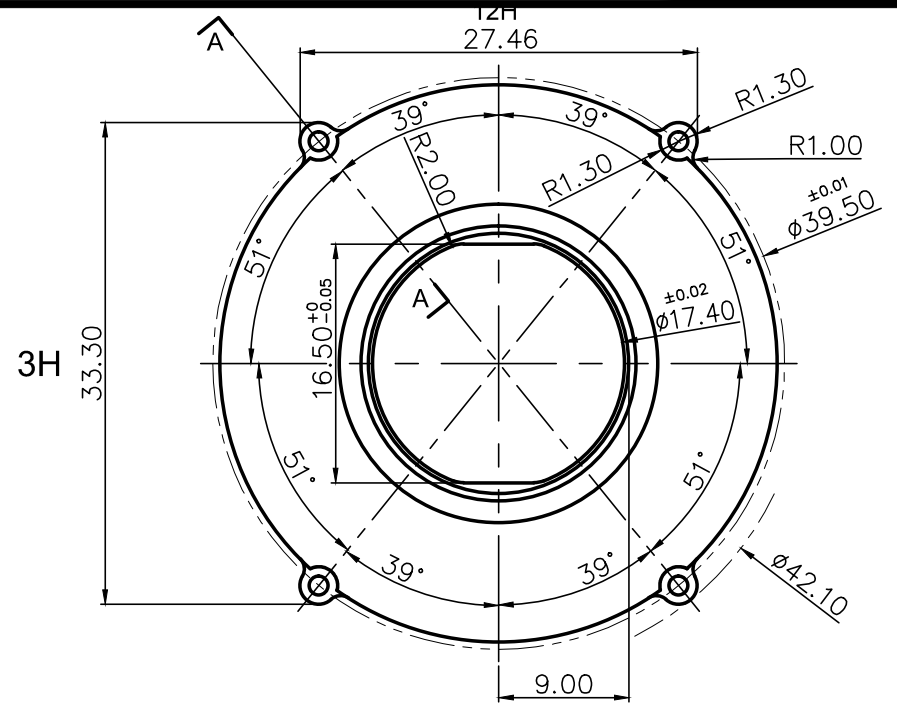
DATE:	2019-09-17	WK model	Customer model	Calibre	PARTS NAME 正本图	MATERIAL	W'PROOF	Angle $\pm 1^\circ$		
								0-30	>30-120	>120
		S 1180G287R1-07	CAFC287X5B6	FC287	BEZEL I-GASKET	HYTREL	5 ATM	± 0.10	± 0.15	± 0.20
Tolerance unless shown										



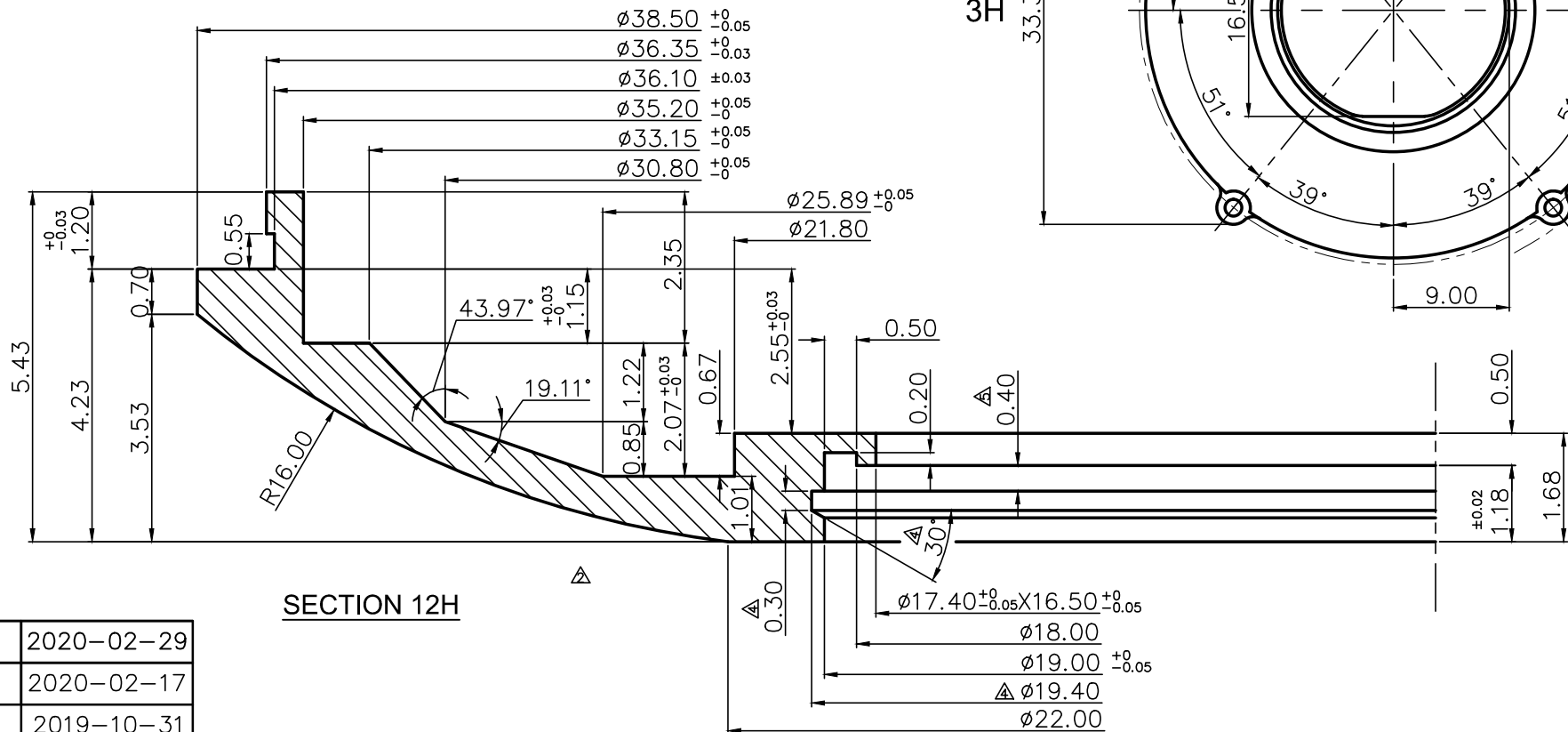
WING KWONG WATCHCASE FACTORY LTD.



SECTION A-A
SCALE 8:1



3H



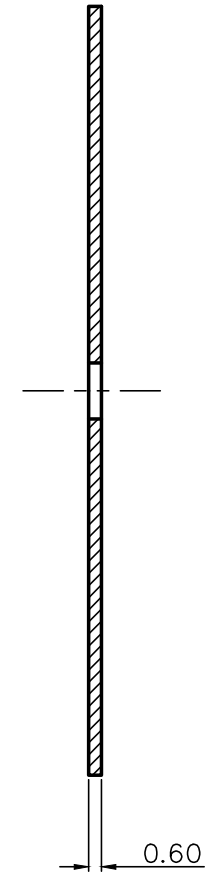
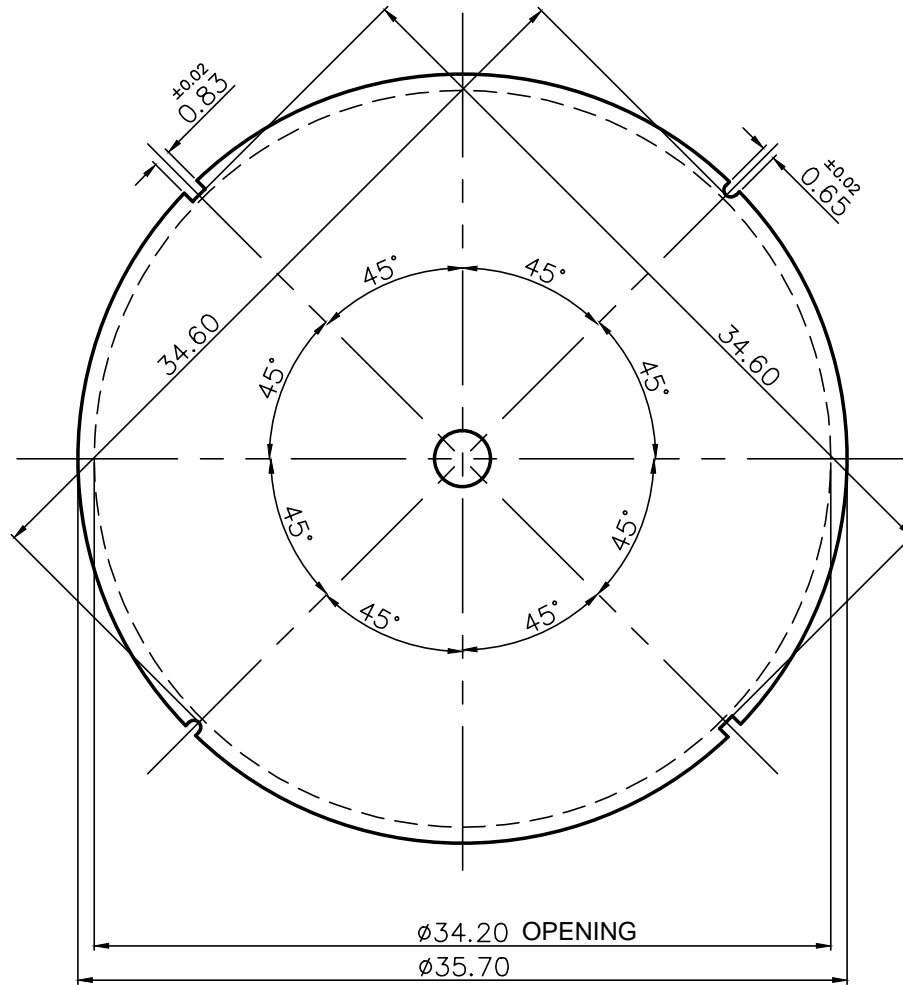
SECTION 12H

△	2020-02-29
△	2020-02-17
△	2019-10-31
△	2019-09-27
DATE:	2019-09-17

WK model	Customer model	Calibre	PARTS NAME 正本图	MATERIAL	W'PROOF	Angle ± 1°		
S 1180G287R1-08	CAFC287X5B6	FC287	CASEBACK	STEEL 316L/1.4404	5 ATM	0-30	>30-120	>120
						±0.10	±0.15	±0.20
Tolerance unless shown								



WING KWONG WATCHCASE FACTORY LTD.

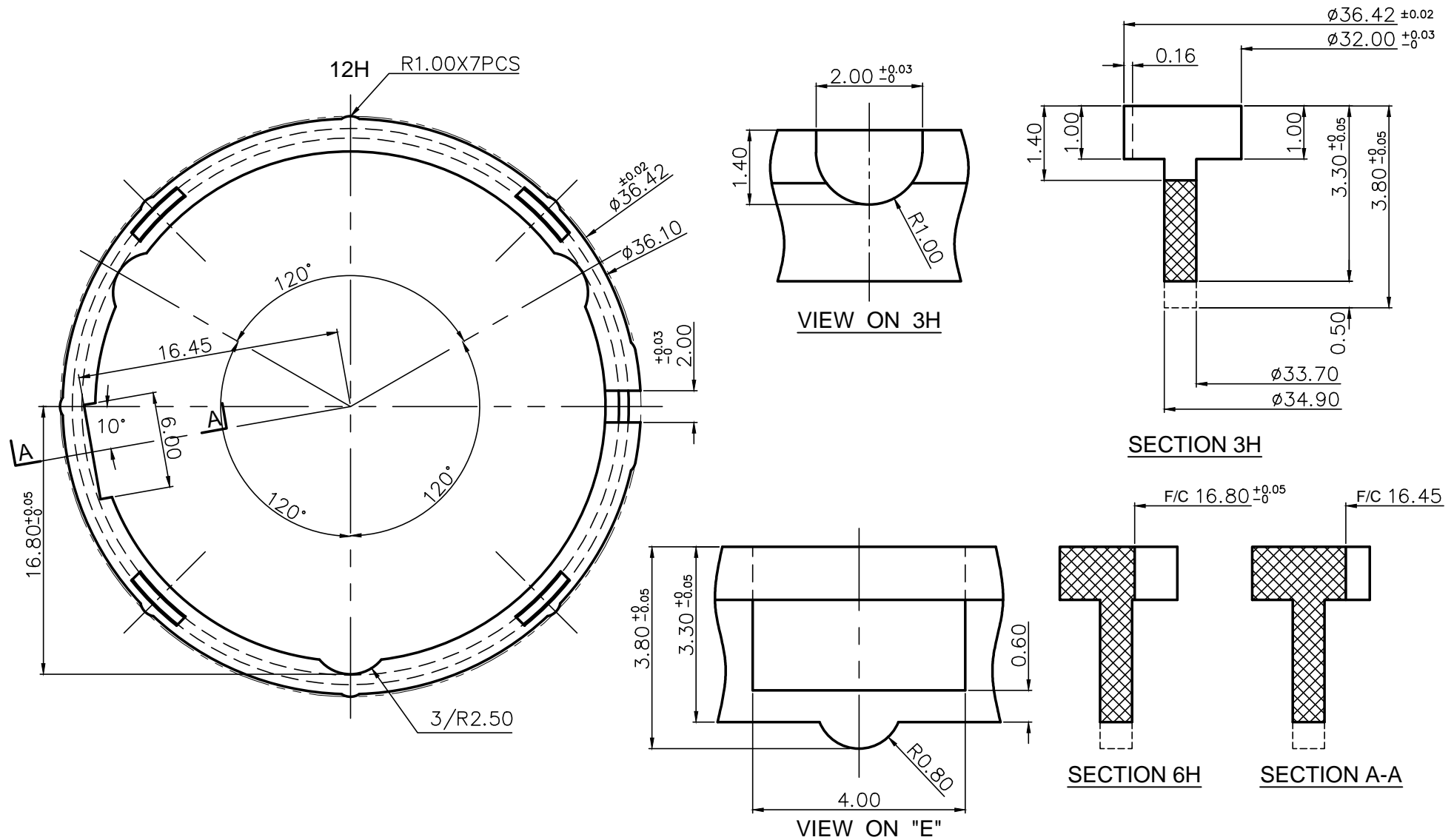


客供应
(PROVIDED BY CUSTOMER)

		WK model	Customer model	Calibre	PARTS NAME 正本图	MATERIAL	W'PROOF	Angle \pm 1°		
DATE:	2019-09-17	S 1180G287R1-09	CAFC287X5B6	FC287	DIAL		5 ATM	0-30	>30-120	>120
								\pm 0.10	\pm 0.15	\pm 0.20
Tolerance unless shown										



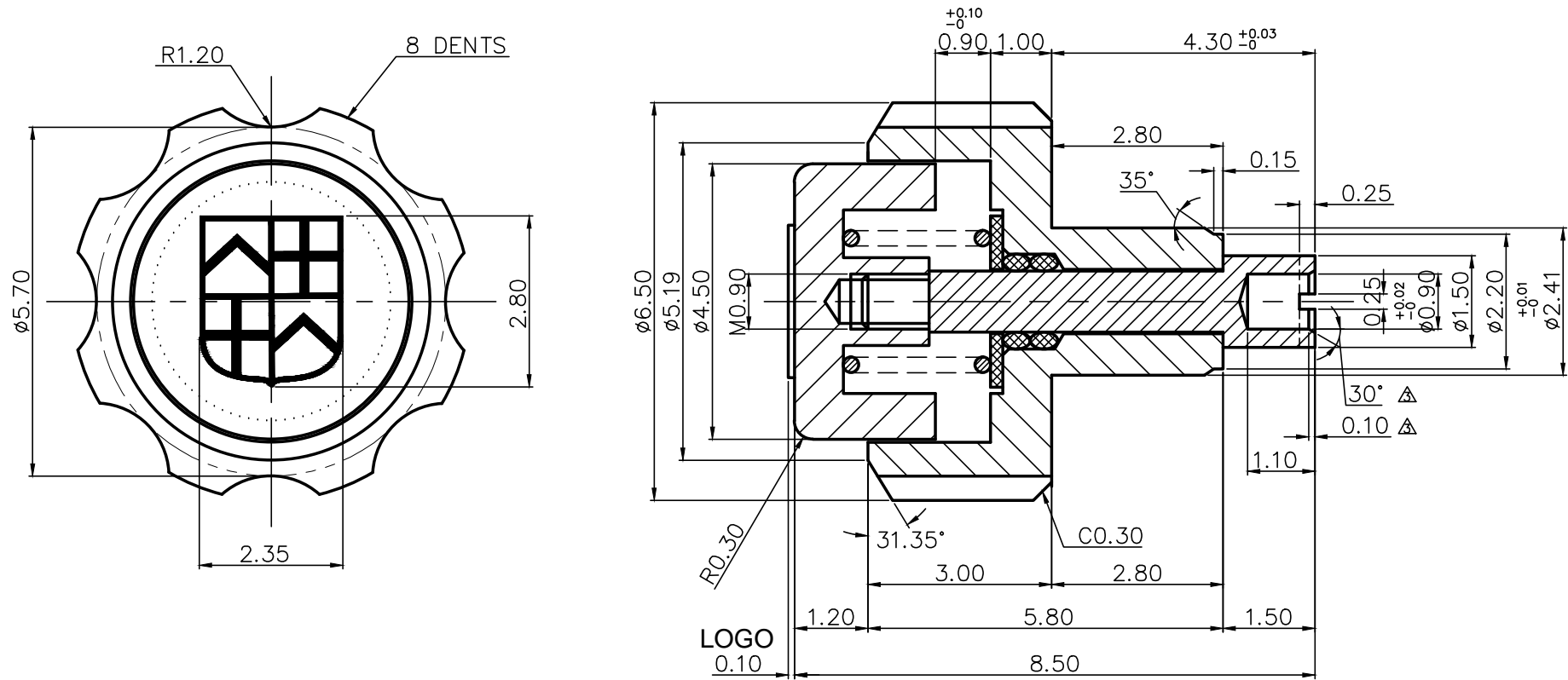
WING KWONG WATCHCASE FACTORY LTD.



		WK model	Customer model	Calibre	PARTS NAME 正本图	MATERIAL	W'PROOF	Angle $\pm 1^\circ$		
DATE:	2019-09-17	S 1180G287R1-10	CAFC287X5B6	FC287	MOVT. HOLDER	P.O.M.	5 ATM	0-30	>30-120	>120
								± 0.10	± 0.15	± 0.20
								Tolerance unless shown		



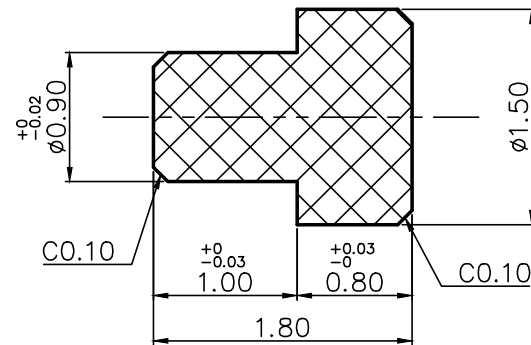
WING KWONG WATCHCASE FACTORY LTD.



△	2020-01-17	WK model	Customer model	Calibre	PARTS NAME 正本图	MATERIAL	W'PROOF	Angle±1°		
	DATE: 2019-09-17	S 1180G287R1-11	CAFC287X5B6	FC287	CROWN	STEEL 316L/1.4404	5 ATM	0-30	>30-120	>120
								±0.10	±0.15	±0.20
Tolerance unless shown										



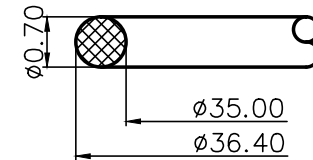
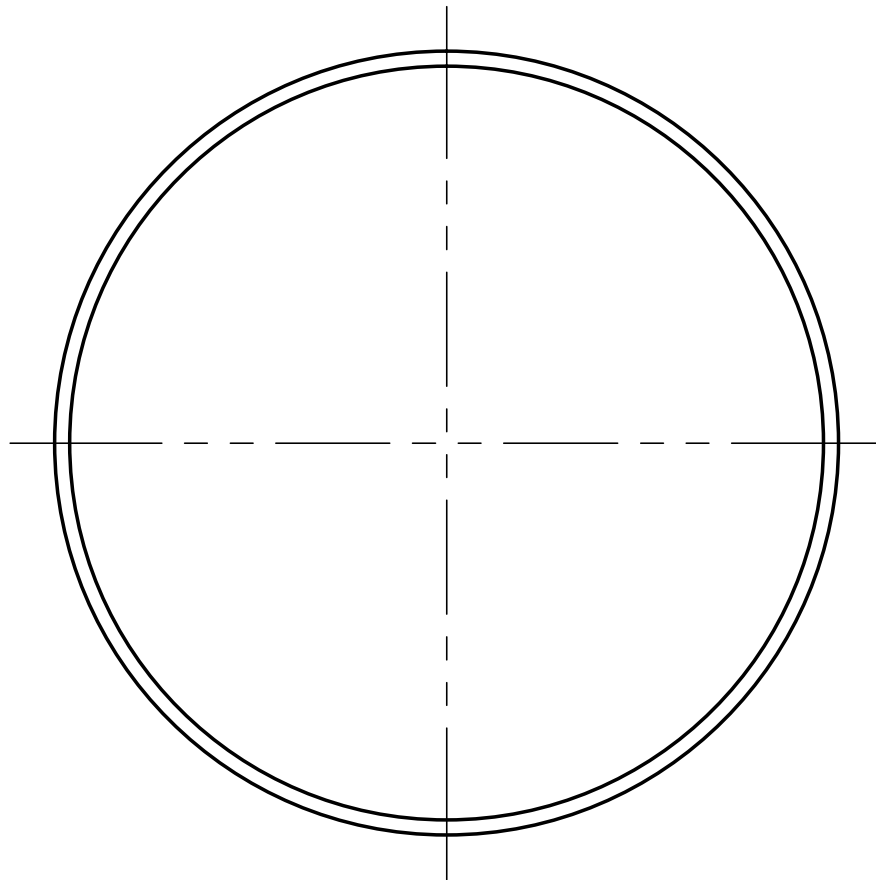
WING KWONG WATCHCASE FACTORY LTD.



		WK model	Customer model	Calibre	PARTS NAME 正本图	MATERIAL (杜邦)	W'PROOF	Angle $\pm 1^\circ$		
DATE:	2019-09-17	S 1180G287R1-11.1	CAFC287X5B6	FC287		DELRIN-POM(White)	5 ATM	0-30	>30-120	>120
								± 0.10	± 0.15	± 0.20
Tolerance unless shown										



WING KWONG WATCHCASE FACTORY LTD.

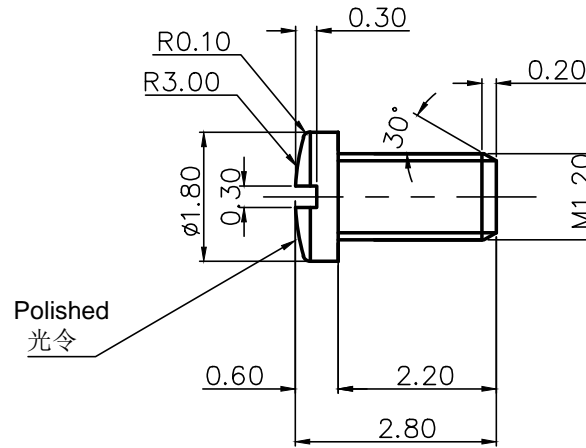


(* SAME AS S 1180G FC275(CAFC275X5B6)

		WK model	Customer model	Calibre	PARTS NAME 正本图	MATERIAL	W'PROOF	Angle $\pm 1^\circ$		
DATE:	2019-09-17	S 1180G287R1-12	CAFC287X5B6	FC287	BACK O-GASKET	NBR	5 ATM	0-30	>30-120	>120
								± 0.10	± 0.15	± 0.20
Tolerance unless shown										



WING KWONG WATCHCASE FACTORY LTD.



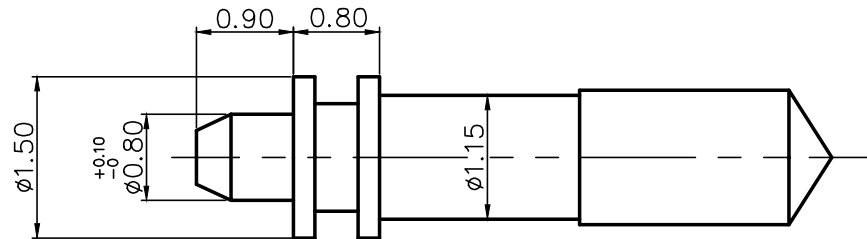
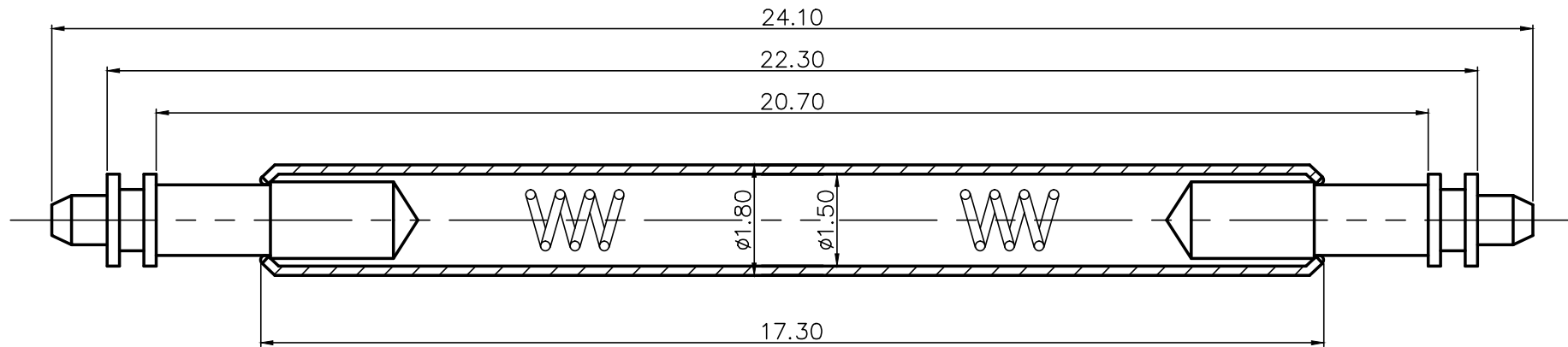
* 4 PCS

(* SAME AS S1178-SW300)CAFC306X4S36)

DATE:	2019-09-17	WK model	Customer model	Calibre	PARTS NAME 正本图	MATERIAL	W'PROOF	Angle±1°		
								0-30	>30-120	>120
		S 1180G287R1-13	CAFC287X5B6	FC287	SCREW	STEEL 316L/1.4404	5 ATM	±0.10	±0.15	±0.20
Tolerance unless shown										



WING KWONG WATCHCASE FACTORY LTD.



FOR BRACELET

($\phi 1.80 \times 21.00$)

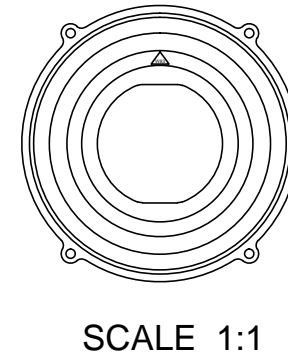
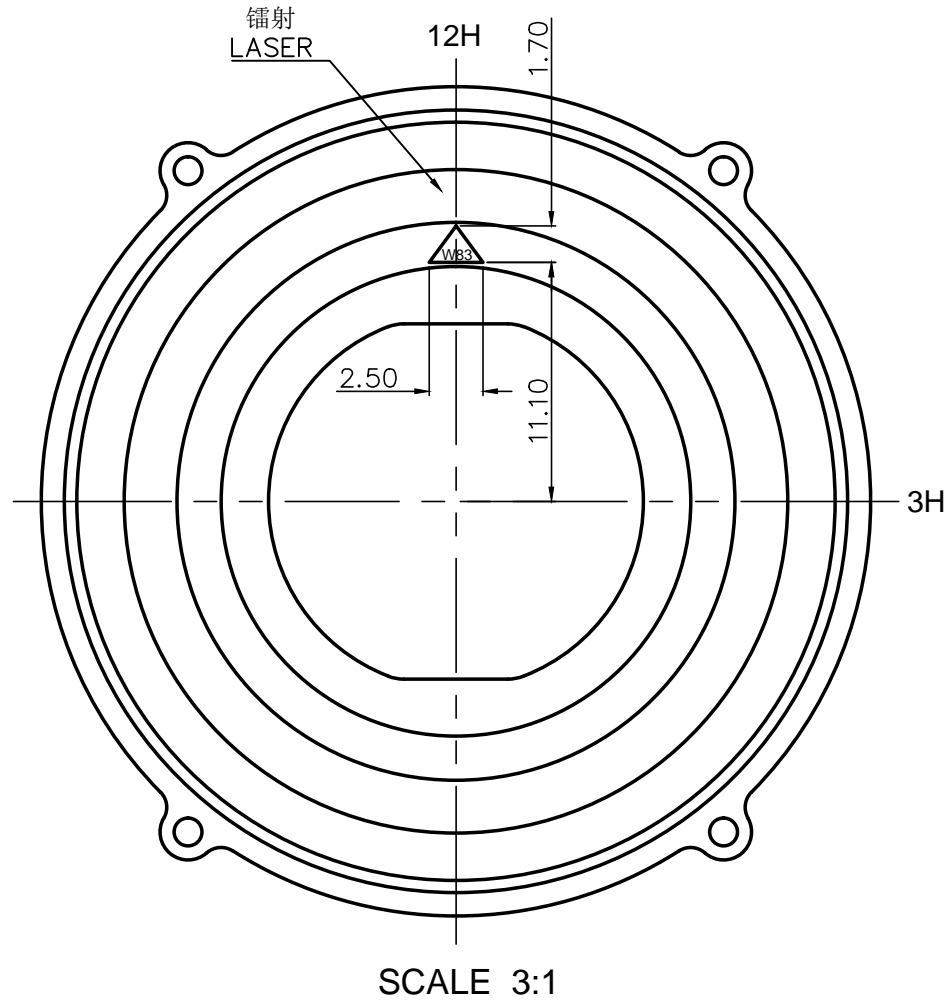
* 2PCS. STAINLESS STEEL SPRING BAR

(* SAME AS S S 1180G287-FC287)CAFC287X5B6)

		WK model	Customer model	Calibre	PARTS NAME 正本图	MATERIAL	W'PROOF	Angle $\pm 1^\circ$		
DATE:	2019-09-17	S 1180G287R1-14	CAFC287X5B6	FC287			5 ATM	0-30	>30-120	>120
								± 0.10	± 0.15	± 0.20
Tolerance unless shown										



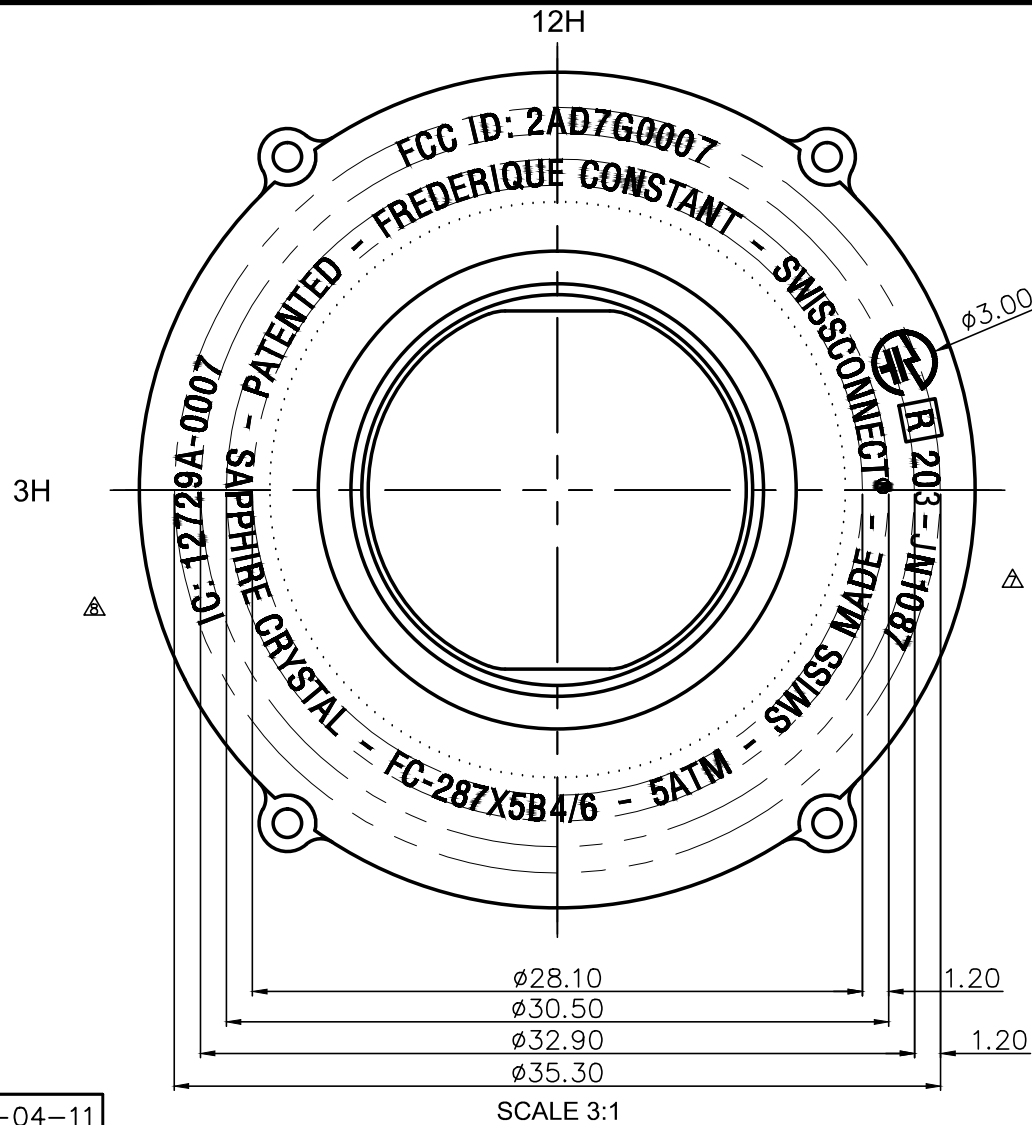
WING KWONG WATCHCASE FACTORY LTD.



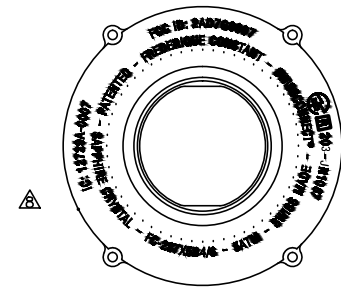
		WK model	Customer model	Calibre	PARTS NAME	MATERIAL	W'PROOF	Angle±1°		
DATE:	2020-01-13	S 1180G287R1-15	CAFC287X5B6	FC287			5 ATM	0-30	>30-120	>120
								±0.10	±0.15	±0.20
								Tolerance unless shown		



WING KWONG WATCHCASE FACTORY LTD.



深蚀填黑油
DEEP ETCHING



SCALE 1:1

△	2020-04-11
△	2020-04-03
△	2020-03-16
DATE:	2020-02-21

WK model	Customer model	Calibre	PARTS NAME 正本图	MATERIAL	W'PROOF	Angle±1°		
S 1180G287R1-16	CAFC287X5B6	FC287	CASEBACK	STEEL 316L/1.4404	5 ATM	0-30	>30-120	>120
						±0.10	±0.15	±0.20
						Tolerance unless shown		