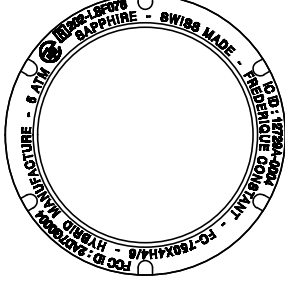
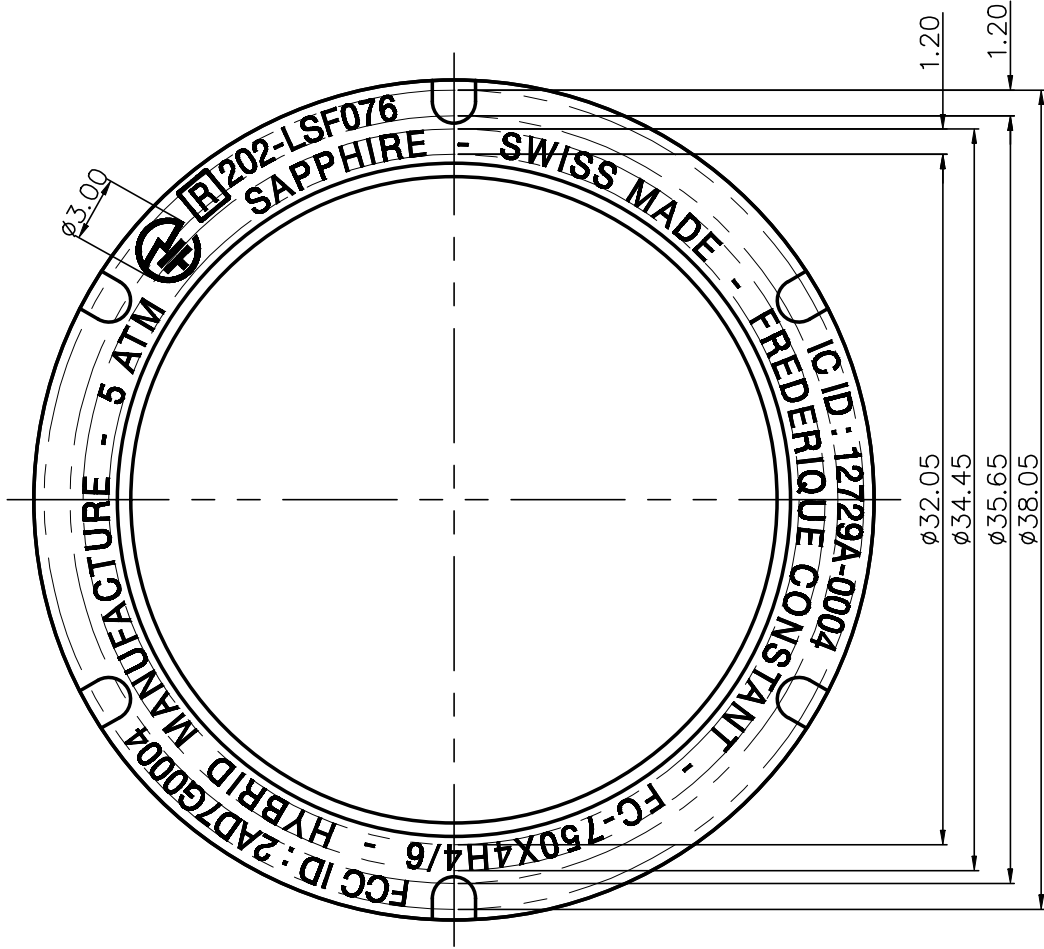




WING KWONG WATCHCASE FACTORY LTD.

蚀
ETCHING



SCALE 1:1

SCALE 3:1

2017-09-14
Angle $\pm 1'$
0~30 >30~120 >120
± 0.10 ± 0.15 ± 0.20
Tolerance unless shown

Model No.	Order No.	Designed by	PARTS NAME	MATERIAL	W'PROOF
Calibre		Checked by	正本图		
FC 750	S 863GRN1-23	CAFC750X4H6	BACKMARKING		5 ATM

