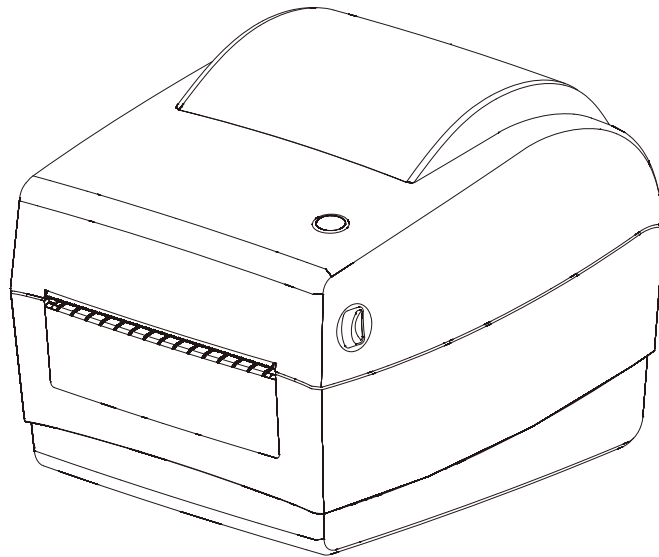


RONGTA User Manual

LABEL PRINTER

RP410/RP410C/RP410Y/RP411



Contents

I. Product Introduction	2
1.1 Safety Warnings	2
1.2 Main Features.....	2
II. Safety Instructions.....	3
III. Appearance and Components	4
IV. Technical Parameters.....	8
4.1 Printing Parameters	8
V. Installation and Operation of Printer	9
5.1 Printer Unpacking	9
5.2 Connecting the Printer.....	9
5.3 Loading Paper.....	10
5.4 Bluetooth Pairing and Printing.....	12
5.5 Use Bluetooth Interface for Printing	12
VI. The Switch, Key and Indicator Light of Printer.....	13
6.1 Power Switch.....	13
6.2 Keys and Indicators	13
VII. Printer Test.....	17
7.1 Print Self-Test Page	17
7.2 Print with the Window Driver	17
7.3 Label Learning	18
VIII. Cleaning the Printer	19
8.1 Cleaning the Printer Head.....	19
8.2 Cleaning the Sensor	19
8.3 Cleaning the Printing Rubber Roller.....	20
IX. Troubleshooting	21
X. FCC WARNING	22

I. Product Introduction

Thank you for purchasing the RP41X series label printer produced by our company. This Label Printer provides you with safe, reliable and efficient printing quality at a reasonable economic price. At the same time, RP41X series is widely used in supermarkets, Catering industry, clothing industry, warehousing industry, etc. due to its super functions and easy operation.

1.1 Safety Warnings

- ⚠ Warning:** Do not touch the paper cutting knife or paper-tearing knife of the printer.
- ⚠ Warning:** The print head is a heating component. Do not touch the print head and its surrounding components when the printer is still warm in temperature.
- ⚠ Warning:** Do not touch the surface of the thermal print head and connectors, to avoid electrostatic damage to the print head.

1.2 Main Features

- High printing quality
- Low noise
- The attractive appearance
- Reasonable structure, simple use and maintenance
- Label off intelligent handling function
- Bad point detection function
- Fast printing, with print speed of up to 180mm/s, saving printing time greatly.
- Superior heat dissipation, can handle heavy printing workload
- Reprinting function, can effectively avoid the loss and omission of label information in the printing process caused by lack of paper.
- Automatic paper positioning after re-opening and re-closing the cover, can effectively avoid the trouble and waste of labels caused by printing dislocation
- Automatic identification of paper

II. Safety Instructions

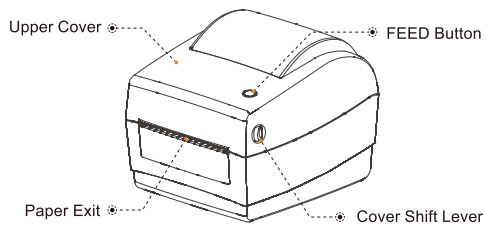
Before operating and using the printer, please carefully read the following items and strictly observe the use rules.

- ① Please install the printer on a stable surface to avoid printer suffered from any vibration and shocks.
- ② Do not use and store the printer in places with high temperature, high humidity and high pollution.
- ③ Connect the printer's power adapter to an appropriate grounding socket. Avoid using the same socket with large motors or other equipment that may cause voltage fluctuation of power supply.
- ④ Keep water or conductive materials (such as metal) out of the printer. Once it occurs, Power should be turned off immediately.
- ⑤ Never use the printer without paper, otherwise it will seriously damage the printing rubber roller and thermal head.
- ⑥ Unplug the product from the power outlet if the printer is idle for a long time.
- ⑦ Do not disassemble or modify the product personally.
- ⑧ Use only the power adapter specified in this instruction.
- ⑨ In order to ensure the printing quality and prolong the service life of the product, it is recommended to use the recommended or equivalent thermal printing paper.
- ⑩ Do not plug/unplug the product with the product powered on.
- ⑪ When plugging and unplugging the printer power cord, please hold the arrow position of the printer power connector with your hand, not the cord of the printer power cord.
- ⑫ Please keep this manual for the future use and reference.

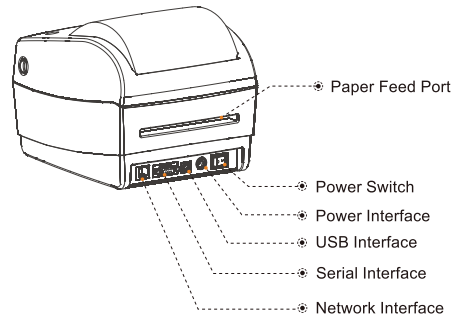
III. Appearance and Components

RP410 label printer

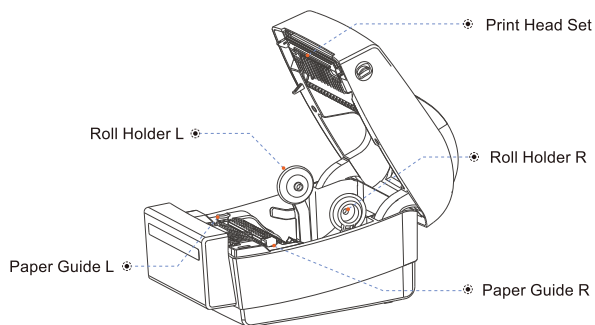
□ Front View



□ Rear View



□ Inside View

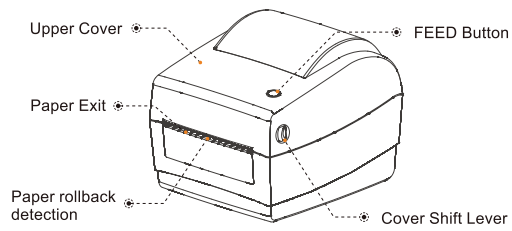


Application Field

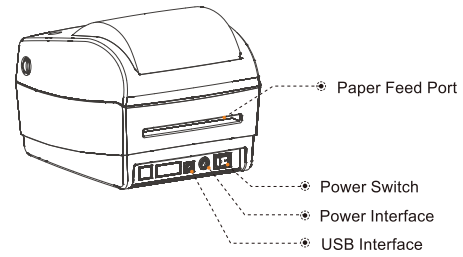
- Supermarket Cashier system
- Catering industry cashier system
- Garment industry cashier system
- Warehousing industry cashier system

RP410Y label printer

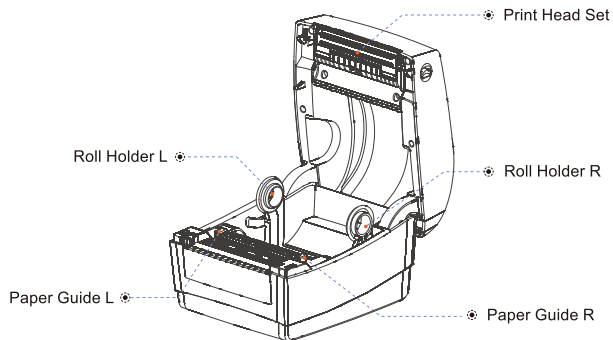
□ Front View



□ Rear View



□ Inside View

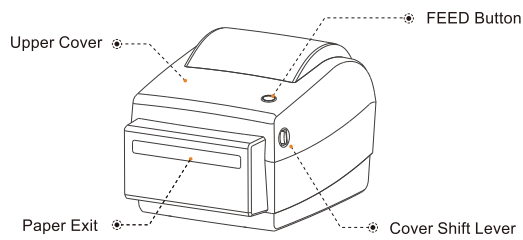


Application Field

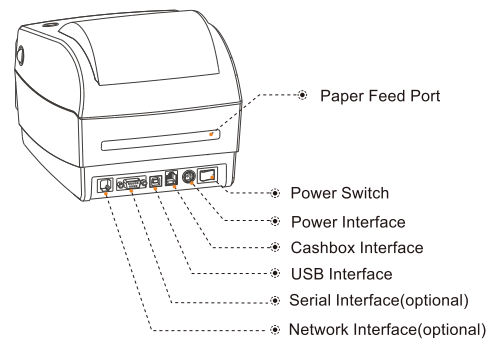
- Supermarket Cashier system
- Catering industry cashier system
- Garment industry cashier system
- Warehousing industry cashier system

RP410C label printer

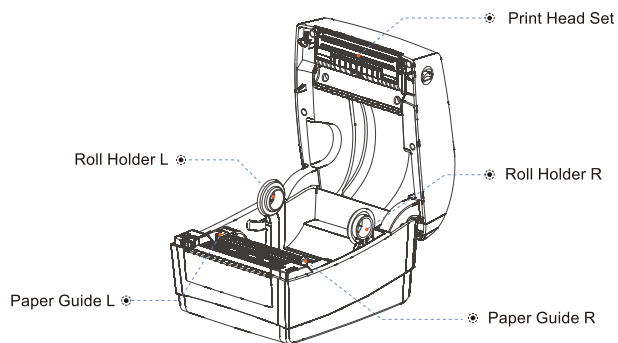
□ Front View



□ Rear View



□ Inside View

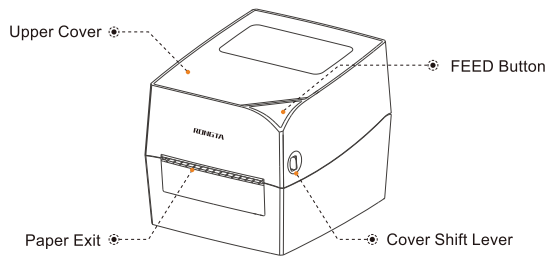


Application Field

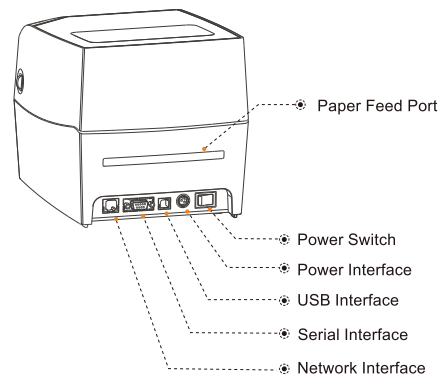
- Supermarket Cashier system
- Catering industry cashier system
- Garment industry cashier system
- Warehousing industry cashier system

RP411 label printer

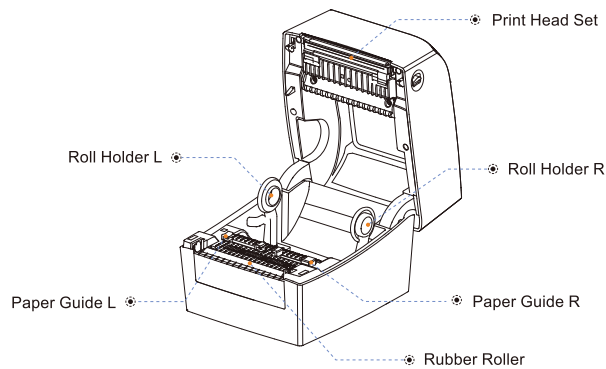
□ Front View



□ Rear View



□ Inside View



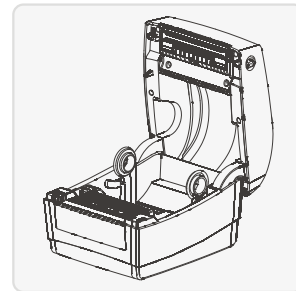
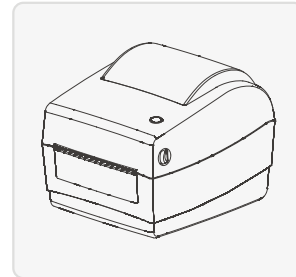
Application Field

- Supermarket Cashier system
- Catering industry cashier system
- Garment industry cashier system
- Warehousing industry cashier system

IV. Technical Parameters

4.1 Printing Parameters

Model	RP410\RP410Y\RP410C\RP411
Printing method	Thermal line printer
Printing speed	127mm/s remark:RP410Y 150mm/s
Printing paper width	26.7~120 mm
Effective resolution	203 dpi
Thickness of printing paper	0.06-0.18mm
Effective printing width	104mm remark:RP411(compatible with 108mm paper)
Character size	ASCII Font A: 12x24 ASCII Font B: 9x17 Chinese character 24x24
Print character	
ASCII character set	12x24 dot, 1.25 (width)X3.00 (height)mm
National Standard Class I and II Chinese Character Font	24x24 dot, 3.00 (width)X3.00 (height)mm
Type of bar code	One-dimensional code:Code39, 39C, ITF25, EAN128, Code, Codebar, EAN8-2, EAN8+2, EAN8+5, EAN-13, EAN13+5, UPC-A, UPCA+2, UPCA+5, UPC-E, UPCE+2, UPCE+5MSIC, ITF14, EAN 14, CODE11, POST QRcode:QRCODE, PDF417(optional)
Extended character table	CP437, CP850, CP852, CP860, CP863, CP865, CP866 WPC1250, WPC1251, WPC1252, WPC1253, WPC1254 ETC., 12INTERNATIONAL LANGUAGES IN TOTAL
Power supply	
Power adapter	AC 100 ~ 240V
Input power supply	DC 24V 2.5A
Environmental requirements	
Working environment	Operating temperature: 0~ 45°C, operating humidity: 20~90%
Storage environment	Storage temperature:-10 ~ 60°C, storage humidity: 10~90% (Except paper rolls)
Environmental conditions	
Drive	WINXP/WIN7/WIN8/WIN10
Print command	ESC/POS/TSPL/CPCL(optional)/ZPL(optional)
Character printing	It supports double width and double height printing of AN K characters, custom characters and Chinese characters; adjusts dot patterns of character spacing for printing;



☉ Remark: The interface is optional or customized, and the specific interface is subject to the actual object.

☐ The pictures are for reference only, please subject to practicality.

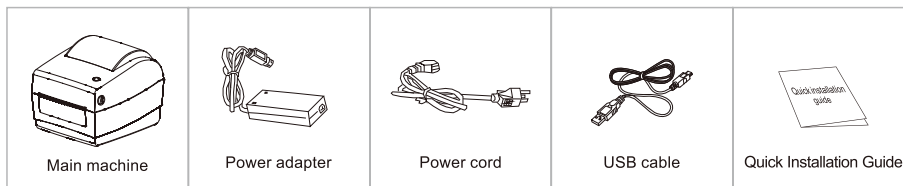
V. Installation and Operation of Printer

5.1 Printer Unpacking

Check the parts:

Before use, make sure the accessories are included in the package (the following picture is an example). If any thing is missing, contact the supplier or manufacturer.

The specific accessories may not be included depending on the printer model.



☺ The pictures are for reference only, please subject to practicality.

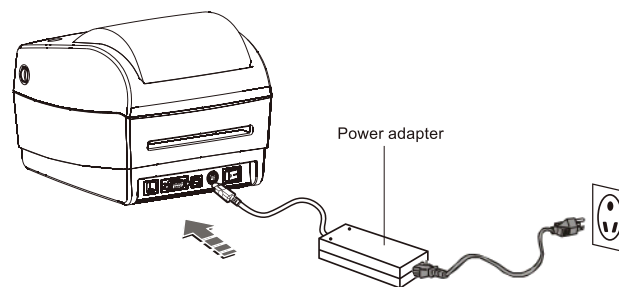
5.2 Connecting the Printer

☐ Connect the power line

- (1) Confirm that the power switch is in off (0) state
- (2) Connect the power adapter to the printer
- (3) Connect the power line to the power adapter
- (4) Connect the other end of the power line to a nearby socket

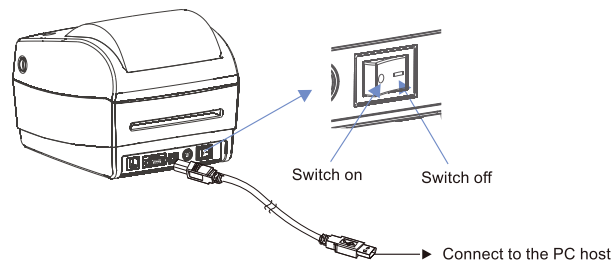
Use the special power adapter for the printer.

The connection diagram is as follows:



❑ Connect the USB cable

- (1) Connect the USB cable to the printer
- (2) Connect the USB cable to the PC host
- (3) Turn the power switch to on (1) state

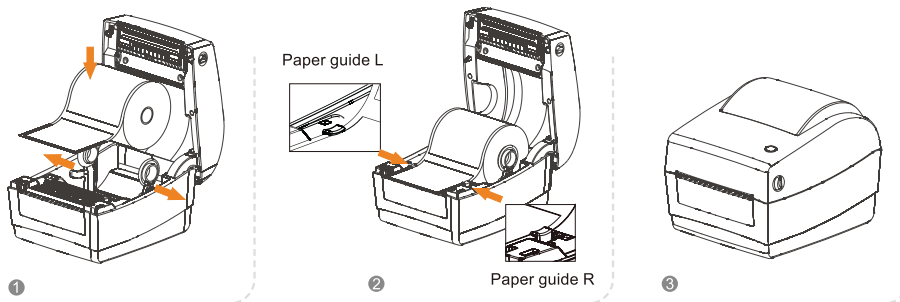


5.3 Loading Paper

The RP41X series Label Printer receipt printer uses 120mm thermal paper rolls and adopts an easy paper loading mechanism, which is very convenient for paper loading.

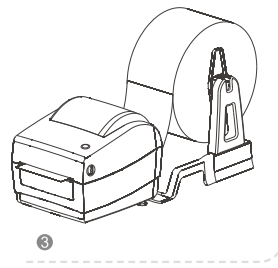
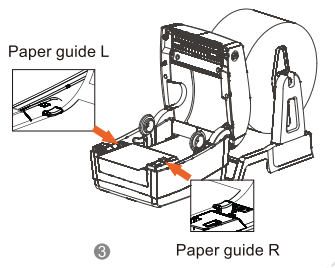
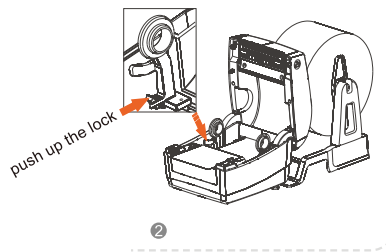
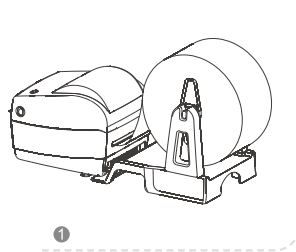
5.3.1 The loading method of internal thermal paper roll is as follows:

- (1) Pull out the roll holder, confirm that the print side of paper roll faces upward, and load the paper roll.
- (2) Send the front end of the paper roll through the paper guide and pull it out beyond the rubber roller; close the paper guide to fix the two sides of the paper according to the paper width.
- (3) Close the upper cover of printer and press down gently until the top cover closes with a "click" sound.



5.3.2 The loading method of external thermal paper roll is as follows:

- (1) Ensure that the print side of paper roll faces upward and put the front end of the paper roll through the feed port on the back of printer;
- (2) Pull out the roll holder and push up the lock on the holder L to lock it.
- (3) Send the front end of the paper roll through the paper guide and pull it out beyond the rubber roller; close the paper guide to fix the two sides of the paper according to the paper width.
- (4) Close the upper cover of printer and press down gently until the top cover closes with a "click" sound.



5.4 Bluetooth pairing and printing (only valid for printers with Bluetooth)

The RP41X series Bluetooth printer needs to be paired with the main device driving the printer before working, and the pairing process is initiated by the main device.

The general pairing method is as follows:

- (1) Turn on the printer.
- (2) The main device searches for external Bluetooth device.
- (3) If there are multiple external Bluetooth device, select the printer corresponding to BDA address (see self-test page for details).
- (4) Enter the initial password "0000" or "1234".
- (5) Complete the pairing.

Please refer to the Bluetooth function description of the main device for the specific pairing method. When pairing, the RP41X label printer with Bluetooth interface must be on.

⚠ Note: During pairing, please do not turn on multiple printers at the same time, otherwise you may not be able to judge which printer was successfully paired.

After successful pairing, other host computers can still be paired with the printer, and each printer can be paired with up to 8 host computers. If more upper computers are paired with printers, the host computer paired with the printer at the earliest will be automatically removed from the pairing list by the printer. At this time, if this host computer needs to drive the printer for printing, it needs to be paired again.
(For multi-connected Bluetooth only)

5.5 Use Bluetooth interface for printing (only valid for the printers with Bluetooth)

For host computers with virtual Bluetooth serial ports (such as mobile phones using SMARTPHONE, POCKET PC, PALM, notebook computer, etc.), after successful pairing, printing data can be sent to the printer via the virtual Bluetooth serial port for printing. If the host computer does not have a virtual Bluetooth serial port, when you want to drive the printer for printing, please consult the supplier of the host computer.