

# FCC Part 15C Test Report

## FCC ID: 2AD5YFMBT3353

Product Name:	WIRELESS FM Transmitter with Headset With Bluetooth® Wireless Technology
Trademark:	
Model Name :	100014268 CBT3353, MBT3353, G52
Prepared For :	Shenzhen Orderly Electronics Co., Ltd.
Address :	4F, Building 7, Asian Industry Park, Bantian Street, Longgang District, Shenzhen, China, 518129
Prepared By :	Shenzhen BCTC Testing Co., Ltd.
Address :	BCTC Building & 1-2F, East of B Building, Pengzhou Industrial, Fuyuan 1st Road, Qiaotou Community, Fuyong Street, Bao'an District, Shenzhen, China
Test Date:	Dec. 31, 2019 – Jan. 08, 2020
Date of Report :	Jan. 08, 2020
Report No.:	BCTC2001000012-1E

## VERIFICATION OF COMPLIANCE

**Applicant's name** ..... Shenzhen Orderly Electronics Co., Ltd.

**Address** ..... 4F, Building 7, Asian Industry Park, Bantian Street, Longgang District,  
Shenzhen, China, 518129

**Manufacturer's Name**... Shenzhen Orderly Electronics Co., Ltd.

**Address** ..... 4F, Building 7, Asian Industry Park, Bantian Street, Longgang District,  
Shenzhen, China, 518129

**Product description**

**Product name** ..... WIRELESS FM Transmitter with Headset With Bluetooth® Wireless  
Technology

**Trademark:**



**Model Name:** 100014268  
CBT3353, MBT3353, G52

**Test Standards:** FCC Part15.239  
ANSI C63.10:2013

This device described above has been tested by BCTC, and the test results show that the equipment under test (EUT) is in compliance with the FCC requirements. And it is applicable only to the tested sample identified in the report.

This report shall not be reproduced except in full, without the written approval of BCTC, this document may be altered or revised by BCTC, personal only, and shall be noted in the revision of the document.

**Test Result**..... **Pass**

**Prepared by(Engineer):** Willem Wang

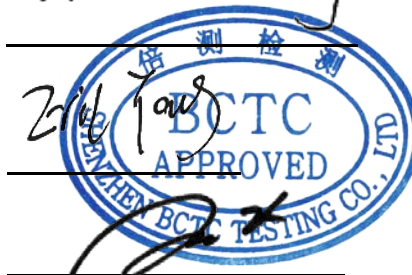
*Willem Wang*

**Reviewer(Supervisor):** Eric Yang

*Eric Yang*

**Approved(Manager):** Zero Zhou

*Zero Zhou*



<b>Table of Contents</b>	<b>Page</b>
<b>1 . SUMMARY OF TEST RESULTS</b>	<b>5</b>
1.1 TEST FACILITY	6
1.2 MEASUREMENT UNCERTAINTY	6
<b>2 . GENERAL INFORMATION</b>	<b>7</b>
2.1 GENERAL DESCRIPTION OF EUT	7
2.2 DESCRIPTION OF TEST MODES	8
2.3 BLOCK DIGRAM SHOWING THE CONFIGURATION OF SYSTEM TESTED	8
2.4 DESCRIPTION OF SUPPORT UNITS(CONDUCTED MODE)	9
2.5 EQUIPMENTS LIST FOR ALL TEST ITEMS	10
<b>3 . EMC EMISSION TEST</b>	<b>12</b>
3.1 CONDUCTED EMISSION MEASUREMENT	12
3.1.1 POWER LINE CONDUCTED EMISSION LIMITS	12
3.1.2 TEST PROCEDURE	13
3.1.3 DEVIATION FROM TEST STANDARD	13
3.1.4 TEST SETUP	13
3.1.5 EUT OPERATING CONDITIONS	13
3.1.6 TEST RESULTS	13
3.2 RADIATED EMISSION MEASUREMENT	14
3.2.1 RADIATED EMISSION LIMITS	14
3.2.2 TEST PROCEDURE	15
3.2.3 TEST SETUP	16
3.2.4 EUT OPERATING CONDITIONS	17
3.2.5 TEST RESULTS	18
3.2.6 TEST RESULTS (1GHZ~6GHZ)	25
3.2.7 FIELD STRENGTH CALCULATION	26
<b>4 . BANDWIDTH TEST</b>	<b>29</b>
4.1 APPLIED PROCEDURES / LIMIT	29
4.1.1 TEST PROCEDURE	29
4.1.2 DEVIATION FROM STANDARD	29
4.1.3 TEST SETUP	29
4.1.4 EUT OPERATION CONDITIONS	29
4.1.5 TEST RESULTS	30
<b>5 . BAND EDGE MEASUREMENT</b>	<b>32</b>
5.1 APPLICABLE STANDARD	32
5.2 TEST PROCEDURE	32
5.3 DEVIATION FROM STANDARD	32
5.4 TEST SETUP	32
5.5 EUT OPERATION CONDITIONS	32
<b>6 . ANTENNA REQUIREMENT</b>	<b>35</b>

<b>Table of Contents</b>	<b>Page</b>
<b>6.1 STANDARD REQUIREMENT</b>	<b>35</b>
<b>6.2 EUT ANTENNA</b>	<b>35</b>
<b>7 . EUT TEST PHOTO</b>	<b>36</b>
<b>8. EUT PHOTO</b>	<b>37</b>
<b>APPENDIX-PHOTOGRAPHS OF EUT CONSTRUCTIONAL DETAILS</b>	

## 1. SUMMARY OF TEST RESULTS

Test procedures according to the technical standards:

<b>FCC Part15 (15.239) , Subpart C</b>			
Standard Section	Test Item	Judgment	Remark
15.207	Conducted Emission	N/A	
15.209&15.239	Fundamental &Radiated Spurious Emission Measurement	PASS	
15.239a	Occupy Bandwidth	PASS	
15.203	Antenna Requirement	PASS	
15.239c	Band Edge Measurement	PASS	

**NOTE:**

(1) "N/A" denotes test is not applicable in this Test Report

### 1.1 TEST FACILITY

Shenzhen BCTC Testing Co., Ltd.

Add.: BCTC Building & 1-2F, East of B Building, Pengzhou Industrial, Fuyuan 1st Road, Qiaotou Community, Fuyong Street, Bao'an District, Shenzhen, China

FCC Test Firm Registration Number: 712850

IC Registered No.: 23583

### 1.2 MEASUREMENT UNCERTAINTY

The reported uncertainty of measurement  $y \pm U$ , where expanded uncertainty  $U$  is based on a standard uncertainty multiplied by a coverage factor of  $k=2$ , providing a level of confidence of approximately **95 %**.

No.	Item	Uncertainty
1	3m chamber Radiated spurious emission(30MHz-1GHz)	U=4.3dB
2	3m chamber Radiated spurious emission(1GHz-18GHz)	U=4.5dB
3	3m chamber Radiated spurious emission(18GHz-40GHz)	U=3.34dB
4	Conducted Adjacent channel power	U=1.38dB
5	Conducted output power uncertainty Above 1G	U=1.576dB
6	Conducted output power uncertainty below 1G	U=1.28dB
7	humidity uncertainty	U=5.3%
8	Temperature uncertainty	U=0.59 °C

## 2. GENERAL INFORMATION

### 2.1 GENERAL DESCRIPTION OF EUT

Equipment	WIRELESS FM Transmitter with Headset With Bluetooth® Wireless Technology	
Trade Name		
Model Name	100014268 CBT3353, MBT3353, G52	
Model Difference	All the model are the same circuit and RF module, except model names	
Product Description	Operation Frequency:	88.1 MHz ~107.9MHz
	Modulation Type:	FM
	Antenna Type:	PCB antenna
	Antenna Gain:	0dBi
	Based on the application, features, or specification exhibited in User's Manual, the EUT is considered as an ITE/Computing Device. More details of EUT technical specification, please refer to the User's Manual.	
Ratings	DC 12V	
Connecting I/O Port(s)	Please refer to the User's Manual	

Note:

1. For a more detailed features description, please refer to the manufacturer's specifications or the User's Manual.

## 2.2 DESCRIPTION OF TEST MODES

For All Emission	
Final Test Mode	Description
Mode 1	CH01
Mode 2	CH50
Mode 3	CH100
Mode 4	Link mode(Radiated emission)

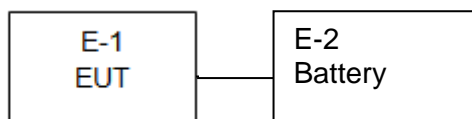
Channel	Frequency (MHz)
01	88.1
02	88.3
03	88.5
~	~
98	107.5
99	107.7
100	107.9

Note:

(1) The measurements are performed at the highest, middle, lowest available channels.

## 2.3 BLOCK DIGRAM SHOWING THE CONFIGURATION OF SYSTEM TESTED

Radiated Spurious EmissionTest





## 2.4 DESCRIPTION OF SUPPORT UNITS(CONDUCTED MODE)

The EUT has been tested as an independent unit together with other necessary accessories or support units. The following support units or accessories were used to form a representative test configuration during the tests.

No.	Device Type	Brand	Model	Series No.	Data Cable
E-1	WIRELESS FM Transmitter with Headset With Bluetooth®	N/A	100014268	N/A	EUT
E-2	Battery	CONSENT	12V14AH	170119	Auxiliary

Item	Shielded Type	Ferrite Core	Length	Note
-	-	-	-	-

Note:

- (1) The support equipment was authorized by Declaration of Confirmation.
- (2) For detachable type I/O cable should be specified the length in cm in 『Length』 column.
- (3) “YES” is means “shielded” “with core”; “NO” is means “unshielded” “without core”.

## 2.5 EQUIPMENTS LIST FOR ALL TEST ITEMS

### Radiation Test equipment

Item	Equipment	Manufacturer	Type No.	Serial No.	Last calibration	Calibrated until
1	Spectrum Analyzer (9kHz-26.5GHz)	Agilent	E4407B	MY45109572	Jun. 13, 2019	Jun. 12, 2020
2	Test Receiver (9kHz-7GHz)	R&S	ESR7	101154	Jun. 13, 2019	Jun. 12, 2020
3	Bilog Antenna (30MHz-3GHz)	SCHWARZBECK	VULB9163	VULB9163-942	Jun. 22, 2019	Jun. 21, 2020
4	Horn Antenna (1GHz-18GHz)	SCHWARZBECK	BBHA9120D	1541	Jun. 22, 2019	Jun. 21, 2020
5	Horn Antenna (18GHz-40GHz)	SCHWARZBECK	BBHA9170	822	Jun. 22, 2019	Jun. 21, 2020
6	Amplifier (9KHz-6GHz)	SCHWARZBECK	BBV9744	9744-0037	Jun. 25, 2019	Jun. 24, 2020
7	Amplifier (0.5GHz-18GHz)	SCHWARZBECK	BBV9718	9718-309	Jun. 25, 2019	Jun. 24, 2020
8	Amplifier (18GHz-40GHz)	MITEQ	TTA1840-35-HG	2034381	Jun. 17, 2019	Jun. 16, 2020
9	Loop Antenna (9KHz-30MHz)	SCHWARZBECK	FMZB1519B	014	Jul. 02, 2019	Jul. 01, 2020
10	RF cables1 (9kHz-30MHz)	Huber+Suhnar	9kHz-30MHz	B1702988-0008	Jun. 25, 2019	Jun. 24, 2020
11	RF cables2 (30MHz-1GHz)	Huber+Suhnar	30MHz-1GHz	1486150	Jun. 25, 2019	Jun. 24, 2020
12	RF cables3 (1GHz-40GHz)	Huber+Suhnar	1GHz-40GHz	1607106	Jun. 25, 2019	Jun. 24, 2020
13	Power Metter	Keysight	E4419B	\	Jun. 17, 2019	Jun. 16, 2020
14	Power Sensor (AV)	Keysight	E9 300A	\	Jun. 17, 2019	Jun. 16, 2020
15	Signal Analyzer 20kHz-26.5GHz	KEYSIGHT	N9020A	MY49100060	Jun. 13, 2019	Jun. 12, 2020
16	Spectrum Analyzer 9kHz-40GHz	Aglient	FSP40	100363	Jun. 13, 2019	Jun. 12, 2020
17	D.C. Power Supply	LongWei	TPR-6405D	\	\	\
18	Software	Frad	EZ-EMC	FA-03A2 RE	\	\

## Conduction Test equipment

Item	Equipment	Manufacturer	Type No.	Serial No.	Last calibration	Calibrated until
1	Test Receiver	R&S	ESR3	102075	Jun. 13, 2019	Jun. 12, 2020
2	LISN	SCHWARZBEC K	NSLK8127	8127739	Jun. 13, 2019	Jun. 12, 2020
3	LISN	R&S	ENV216	101375	Jun. 13, 2019	Jun. 12, 2020
4	RF cables	Huber+Suhnar	9kHz-30MHz	B1702988-00 08	Jun. 25, 2019	Jun. 24, 2020
5	Software	Frad	EZ-EMC	EMC-CON 3A1	\	\

### 3. EMC EMISSION TEST

#### 3.1 CONDUCTED EMISSION MEASUREMENT

##### 3.1.1 POWER LINE CONDUCTED EMISSION Limits (Frequency Range 150KHz-30MHz)

FREQUENCY (MHz)	Limit (dBuV)		Standard
	Quasi-peak	Average	
0.15 -0.5	66 - 56 *	56 - 46 *	FCC
0.50 -5.0	56.00	46.00	FCC
5.0 -30.0	60.00	50.00	FCC

Note:

- (1) The tighter limit applies at the band edges.
- (2) The limit of " \* " marked band means the limitation decreases linearly with the logarithm of the frequency in the range.

The following table is the setting of the receiver

Receiver Parameters	Setting
Attenuation	10 dB
Start Frequency	0.15 MHz
Stop Frequency	30 MHz
IF Bandwidth	9 kHz

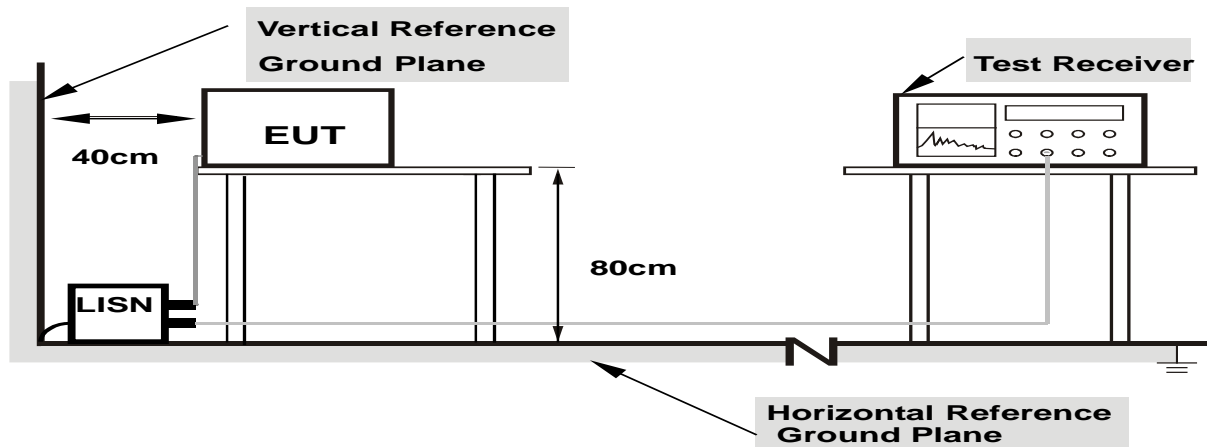
### 3.1.2 TEST PROCEDURE

- The EUT was placed 0.8 meters from the horizontal ground plane with EUT being connected to the power mains through a line impedance stabilization network (LISN). All other support equipments powered from additional LISN(s). The LISN provide 50 Ohm/ 50uH of coupling impedance for the measuring instrument.
- Interconnecting cables that hang closer than 40 cm to the ground plane shall be folded back and forth in the center forming a bundle 30 to 40 cm long.
- I/O cables that are not connected to a peripheral shall be bundled in the center. The end of the cable may be terminated, if required, using the correct terminating impedance. The overall length shall not exceed 1 m.
- LISN at least 80 cm from nearest part of EUT chassis.
- For the actual test configuration, please refer to the related Item –EUT Test Photos.

### 3.1.3 DEVIATION FROM TEST STANDARD

No deviation

### 3.1.4 TEST SETUP



- Note: 1.Support units were connected to second LISN.  
2.Both of LISNs (AMN) are 80 cm from EUT and at least 80 from other units and other metal planes**

### 3.1.5 EUT OPERATING CONDITIONS

The EUT was configured for testing in a typical fashion (as a customer would normally use it). The EUT has been programmed to continuously transmit during test. This operating condition was tested and used to collect the included data.

We pretest AC 120V and AC 240V, the worst voltage was AC 120V and the data recording in the report.

### 3.1.6 TEST RESULTS

NOTE: This EUT is powered by the battery only, this test item is not applicable.

### 3.2 RADIATED EMISSION MEASUREMENT

#### 3.2.1 RADIATED EMISSION LIMITS (Frequency Range 9kHz-1000MHz)

20dBc in any 100 kHz bandwidth outside the operating frequency band. In case the emission fall within the restricted band specified on 15.209&15.239 limit in the table below has to be followed.

Frequencies(MHz)	Field Strength(micorvolts/meter)	Measurement Distance(meters)
0.009~0.490	2400/F(KHz)	300
0.490~1.705	24000/F(KHz)	30
1.705~30.0	30	30
30~88	100	3
88~216	150	3
216~960	200	3
Above 960	500	3

#### LIMITS OF RADIATED EMISSION MEASUREMENT (Above 1000MHz)

FREQUENCY (MHz)	Limit (dBuV/m) (at 3M)	
	PEAK	AVERAGE
Above 1000	74	54

Notes:

- (1) The limit for radiated test was performed according to FCC PART 15C.
- (2) The tighter limit applies at the band edges.
- (3) Emission level (dBuV/m)=20log Emission level (uV/m).

**FREQUENCY RANGE OF RADIATED MEASUREMENT (For intentional radiators)**

Highest frequency generated or Upper frequency of measurement used in the device or on which the device operates or tunes (MHz)	Range (MHz)
Below 1.705	30
1.705 – 108	1000
108 – 500	2000
500 – 1000	5000
Above 1000	10 <sup>th</sup> harmonic of the highest frequency or 40 GHz, whichever is lower

Spectrum Parameter	Setting
Attenuation	Auto
Start Frequency	1000 MHz
Stop Frequency	10th carrier harmonic
RBW / VBW setting	1 MHz / 1 MHz for Peak, 1 MHz / 10Hz for Average

Receiver Parameter	Setting
Attenuation	Auto
Start ~ Stop Frequency	9kHz~150kHz / RB 200Hz for QP
Start ~ Stop Frequency	150kHz~30MHz / RB 9kHz for QP
Start ~ Stop Frequency	30MHz~1000MHz / RB 120kHz for QP

**3.2.2 TEST PROCEDURE**

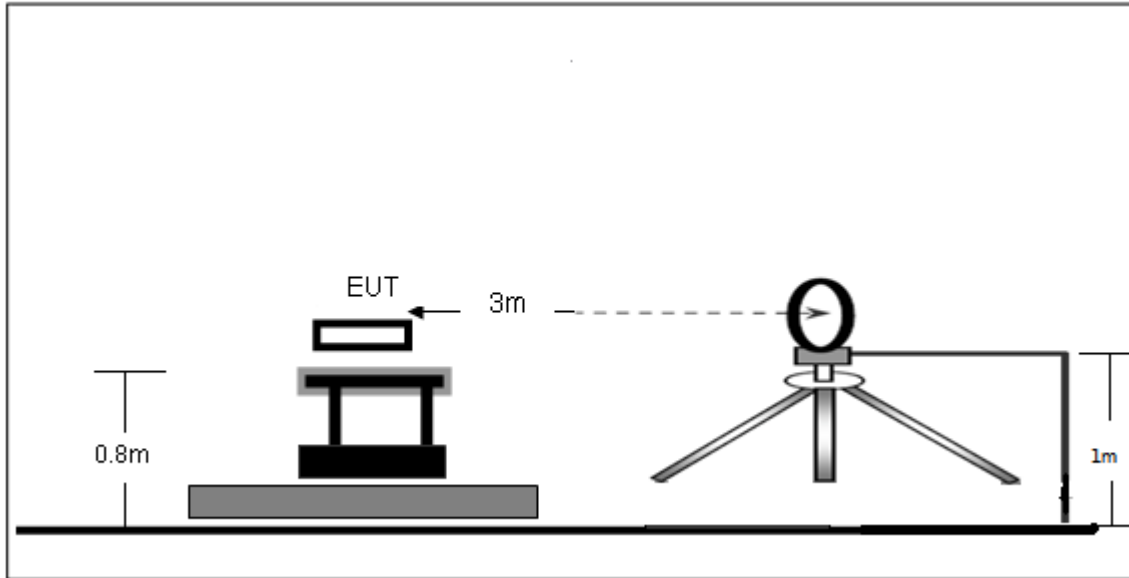
- a. The measuring distance of at 3 m shall be used for measurements at frequency up to 1GHz. For frequencies above 1GHz, any suitable measuring distance may be used.
- b. The EUT was placed on the top of a rotating table 0.8 meters above the ground at a 3 meter open area test site. The table was rotated 360 degrees to determine the position of the highest radiation.
- c. The height of the equipment or of the substitution antenna shall be 0.8 m; above 1GHz, the height was 1.5m, the height of the test antenna shall vary between 1 m to 4 m. Both horizontal and vertical polarizations of the antenna are set to make the measurement.
- d. The initial step in collecting conducted emission data is a spectrum analyzer peak detector mode pre-scanning the measurement frequency range. Significant peaks are then marked and then Quasi Peak detector mode re-measured.
- e. If the Peak Mode measured value compliance with and lower than Quasi Peak Mode Limit, the EUT shall be deemed to meet QP Limits and then no additional QP Mode measurement performed.
- f. For the actual test configuration, please refer to the related Item –EUT Test Photos.

Note:

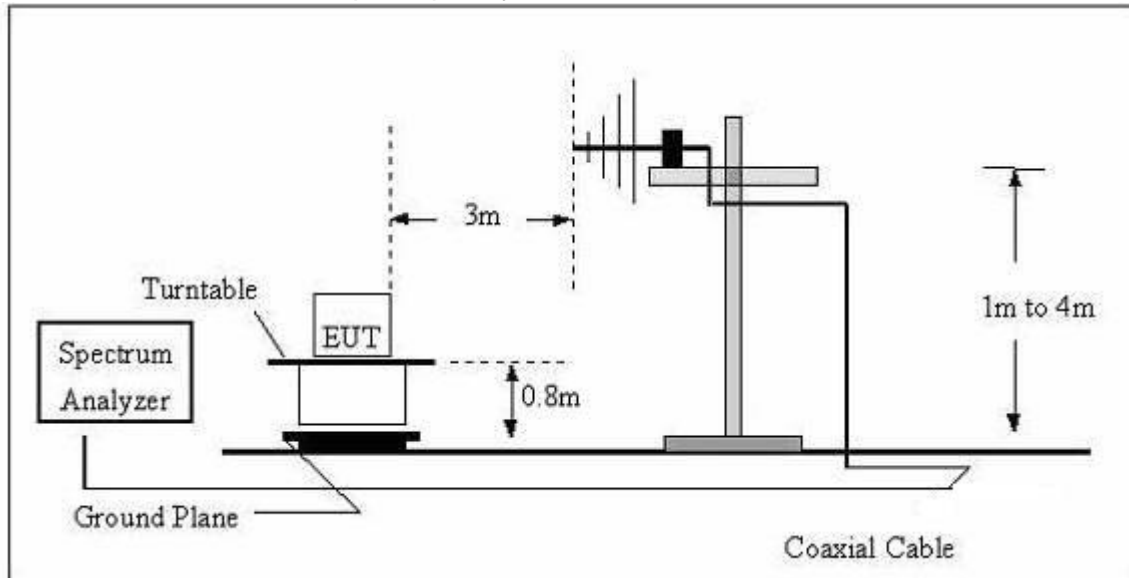
Both horizontal and vertical antenna polarities were tested and performed pretest to three orthogonal axis. The worst case was X axis and the emissions were reported

### 3.2.3 TEST SETUP

(A) Radiated Emission Test-Up Frequency Below 30MHz

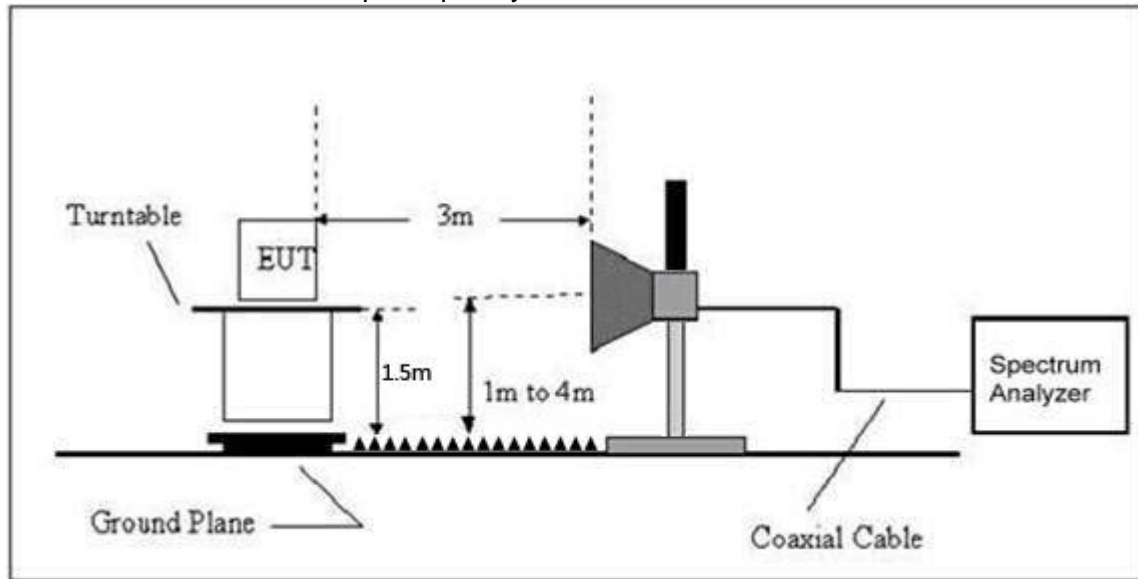


(B) Radiated Emission Test-Up Frequency 30MHz~1GHz





(C) Radiated Emission Test-Up Frequency Above 1GHz



**3.2.4 EUT OPERATING CONDITIONS**

The EUT tested system was configured as the statements of 2.4 Unless otherwise a special operating condition is specified in the follows during the testing.

### 3.2.5 TEST RESULTS

Radiated Spurious Emission (Below 9KHz – 30MHz )

Temperature :	26 °C	Relative Humidity :	54%
Pressure :	101 kPa	Polarization :	---
Test Voltage :	DC 12V		
Test Mode :	TX Mode		

Freq.	Reading	Limit	Margin	State
(MHz)	(dBuV/m)	(dBuV/m)	(dB)	P/F
--	--	--	--	PASS
--	--	--	--	PASS

**NOTE:**

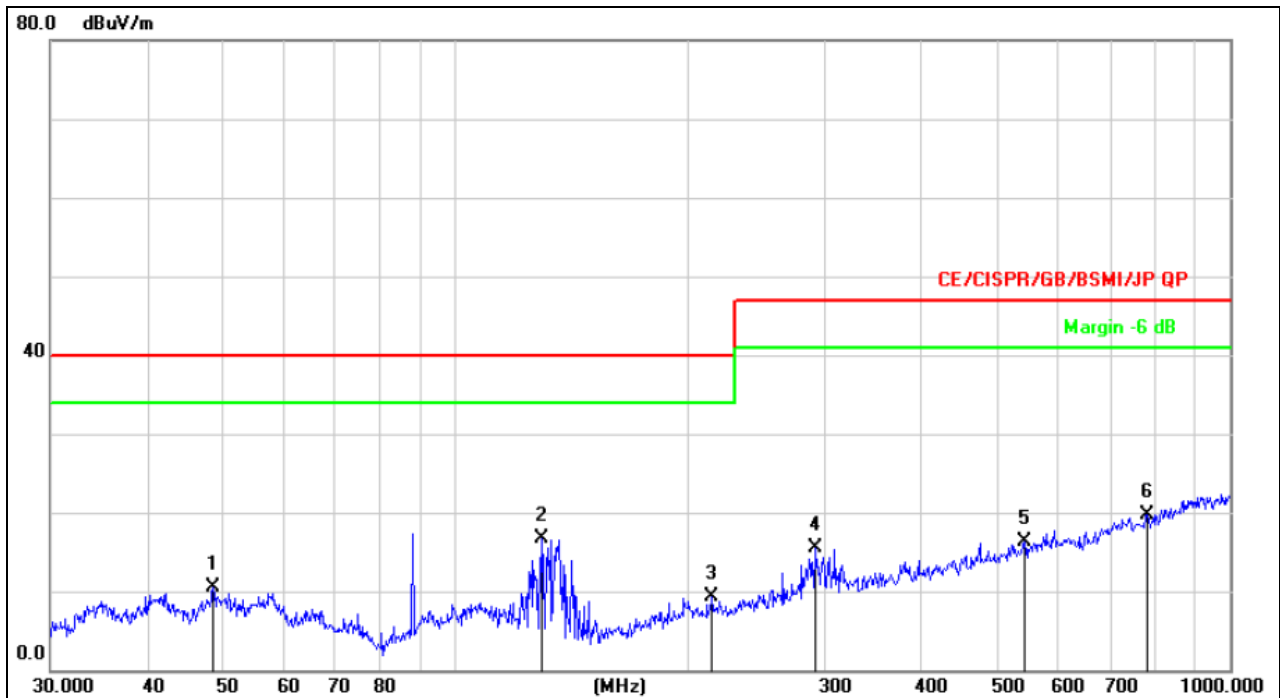
The amplitude of spurious emissions which are attenuated by more than 20dB below the permissible value has no need to be reported.

Distance extrapolation factor =  $40 \log (\text{specific distance}/\text{test distance})$ (dB);

Limit line = specific limits(dBuv) + distance extrapolation factor.

## Radiated Spurious Emission (Between 30MHz – 1GHz)

Temperature :	26 °C	Relative Humidity :	54%
Pressure :	101kPa	Phase :	H
Test Voltage :	DC 12V	Test Mode :	Mode 1(88.1MHz)

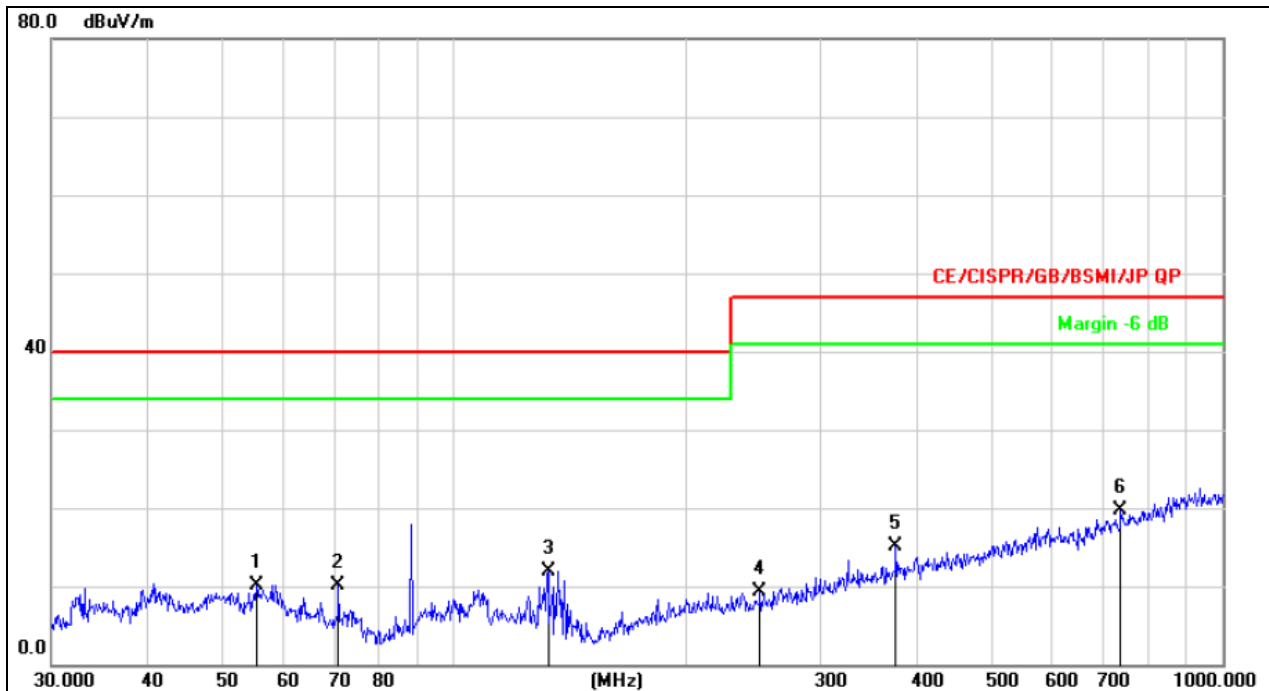


Remark:

1. All readings are Quasi-Peak and Average values.
2. Factor = Insertion Loss + Cable Loss.

No.	Mk.	Freq.	Reading Level	Correct Factor	Measurement	Limit	Over	Detector
		MHz	dBuV	dB	dBuV/m	dB/m	dB	
1		48.6719	25.40	-14.92	10.48	40.00	-29.52	QP
2	*	129.4677	34.84	-18.18	16.66	40.00	-23.34	QP
3		214.5143	25.22	-15.97	9.25	40.00	-30.75	QP
4		292.0583	29.29	-13.85	15.44	47.00	-31.56	QP
5		543.2742	24.19	-7.85	16.34	47.00	-30.66	QP
6		782.3453	23.64	-3.89	19.75	47.00	-27.25	QP

Temperature :	26 °C	Relative Humidity :	54%
Pressure :	101kPa	Phase :	V
Test Voltage :	DC 12V	Test Mode :	Mode 1(88.1MHz)

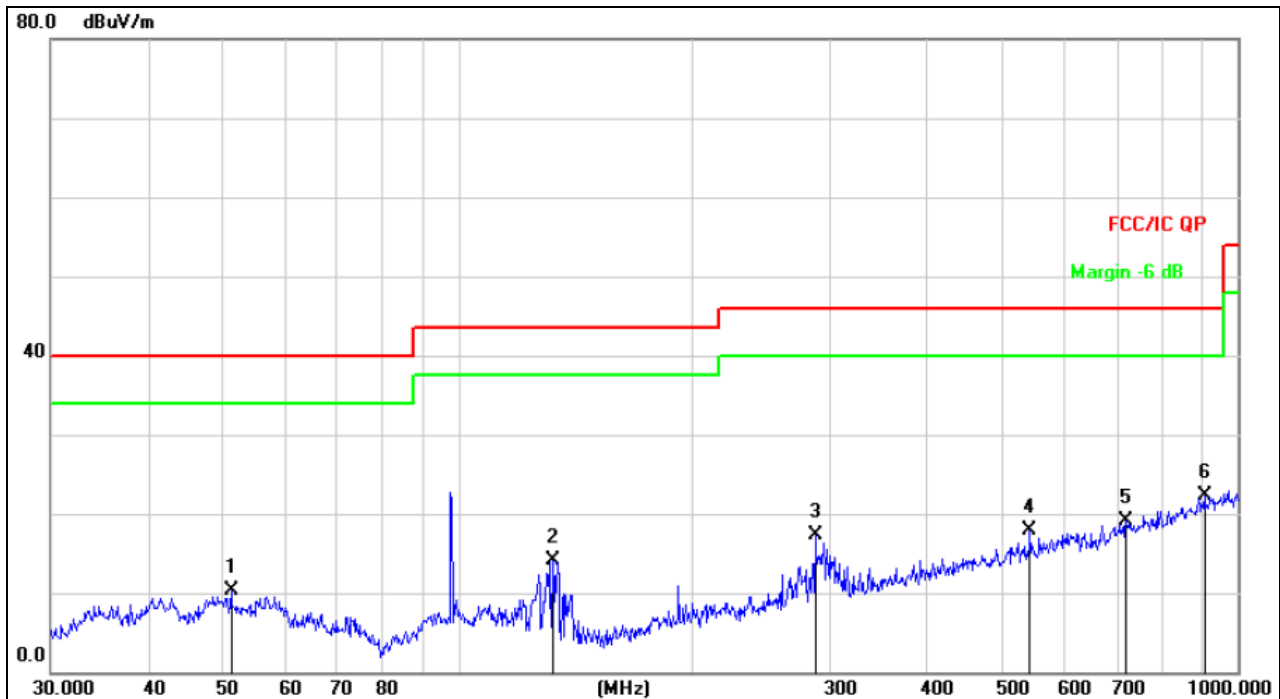


Remark:

1. All readings are Quasi-Peak and Average values.
2. Factor = Insertion Loss + Cable Loss.

No.	Mk.	Freq.	Reading Level	Correct Factor	Measurement	Limit	Over	Detector
		MHz	dBuV	dB	dBuV/m	dB/m	dB	
1		55.4147	25.58	-15.42	10.16	40.00	-29.84	QP
2		70.8315	28.57	-18.37	10.20	40.00	-29.80	QP
3		132.6850	30.37	-18.38	11.99	40.00	-28.01	QP
4		250.3012	24.50	-15.14	9.36	47.00	-37.64	QP
5		375.9385	26.66	-11.64	15.02	47.00	-31.98	QP
6	*	737.0714	24.32	-4.55	19.77	47.00	-27.23	QP

Temperature :	26 °C	Relative Humidity :	54%
Pressure :	101kPa	Phase :	H
Test Voltage :	DC 12V	Test Mode :	Mode 2(98MHz)

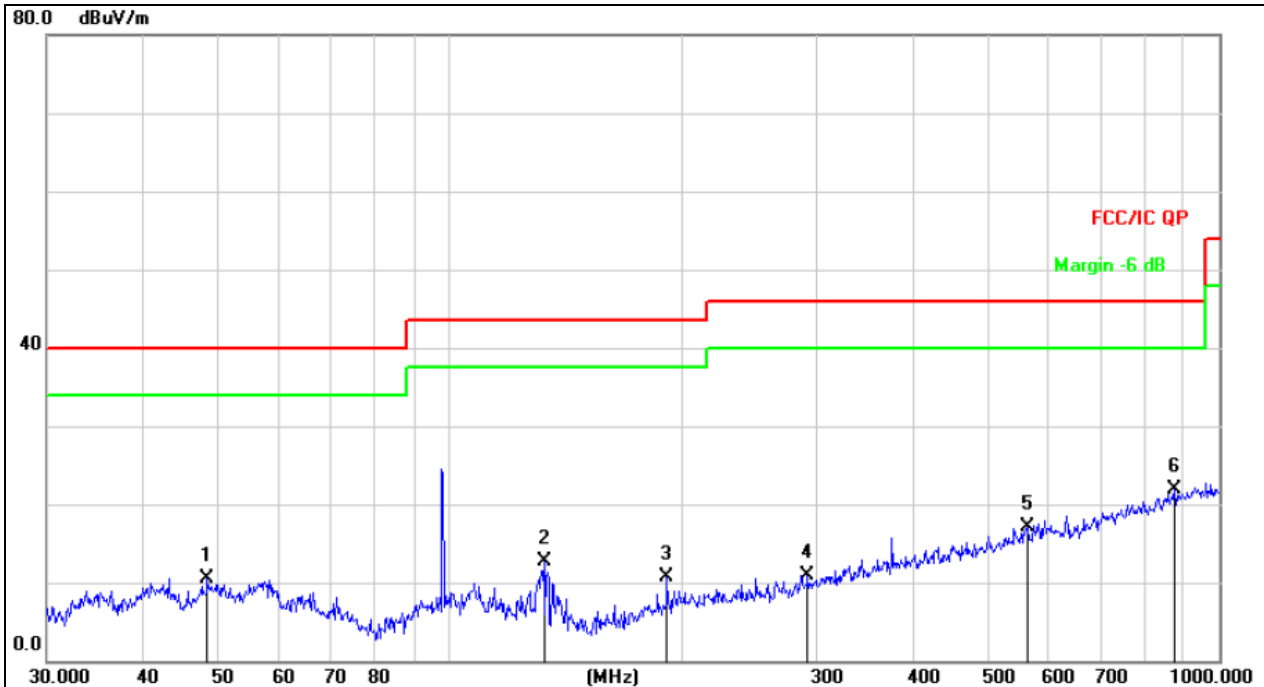


Remark:

1. All readings are Quasi-Peak and Average values.
2. Factor = Insertion Loss + Cable Loss.

No.	Mk.	Freq.	Reading Level	Correct Factor	Measurement	Limit	Over	Detector
		MHz	dBuV	dB	dBuV/m	dB/m	dB	
1		51.1209	25.20	-14.97	10.23	40.00	-29.77	QP
2		132.2206	32.39	-18.36	14.03	43.50	-29.47	QP
3		286.9823	31.32	-14.00	17.32	46.00	-28.68	QP
4		541.3725	25.81	-7.90	17.91	46.00	-28.09	QP
5		719.1994	23.84	-4.83	19.01	46.00	-26.99	QP
6	*	906.4824	23.78	-1.45	22.33	46.00	-23.67	QP

Temperature :	26 °C	Relative Humidity :	54%
Pressure :	101kPa	Phase :	V
Test Voltage :	DC 12V	Test Mode :	Mode 2(98MHz)

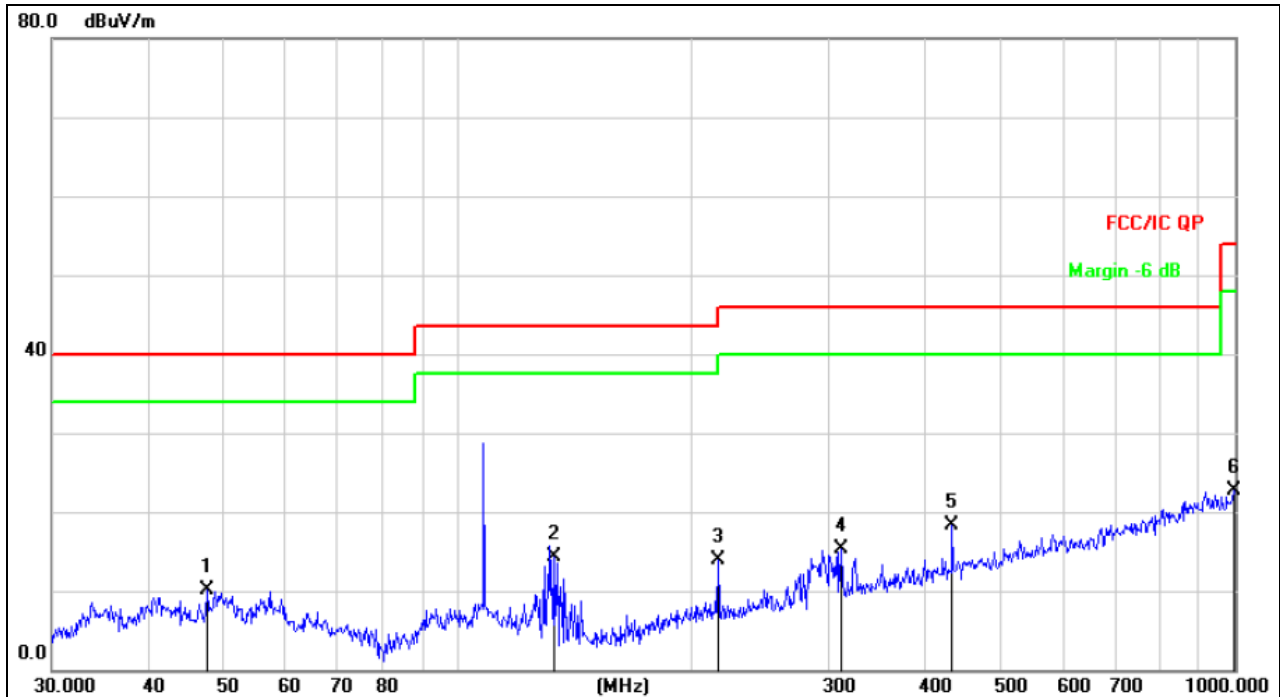


Remark:

1. All readings are Quasi-Peak and Average values.
2. Factor = Insertion Loss + Cable Loss.

No.	Mk.	Freq.	Reading Level	Correct Factor	Measurement	Limit	Over	Detector
		MHz	dBuV	dB	dBuV/m	dB/m	dB	
1		48.5016	25.35	-14.93	10.42	40.00	-29.58	QP
2		132.6850	31.00	-18.38	12.62	43.50	-30.88	QP
3		191.7450	27.53	-16.83	10.70	43.50	-32.80	QP
4		292.0583	24.80	-13.85	10.95	46.00	-35.05	QP
5		562.6624	24.58	-7.39	17.19	46.00	-28.81	QP
6	*	875.2470	23.85	-2.00	21.85	46.00	-24.15	QP

Temperature :	26 °C	Relative Humidity :	54%
Pressure :	101kPa	Phase :	H
Test Voltage :	DC 12V	Test Mode :	Mode 3(107.9MHz)

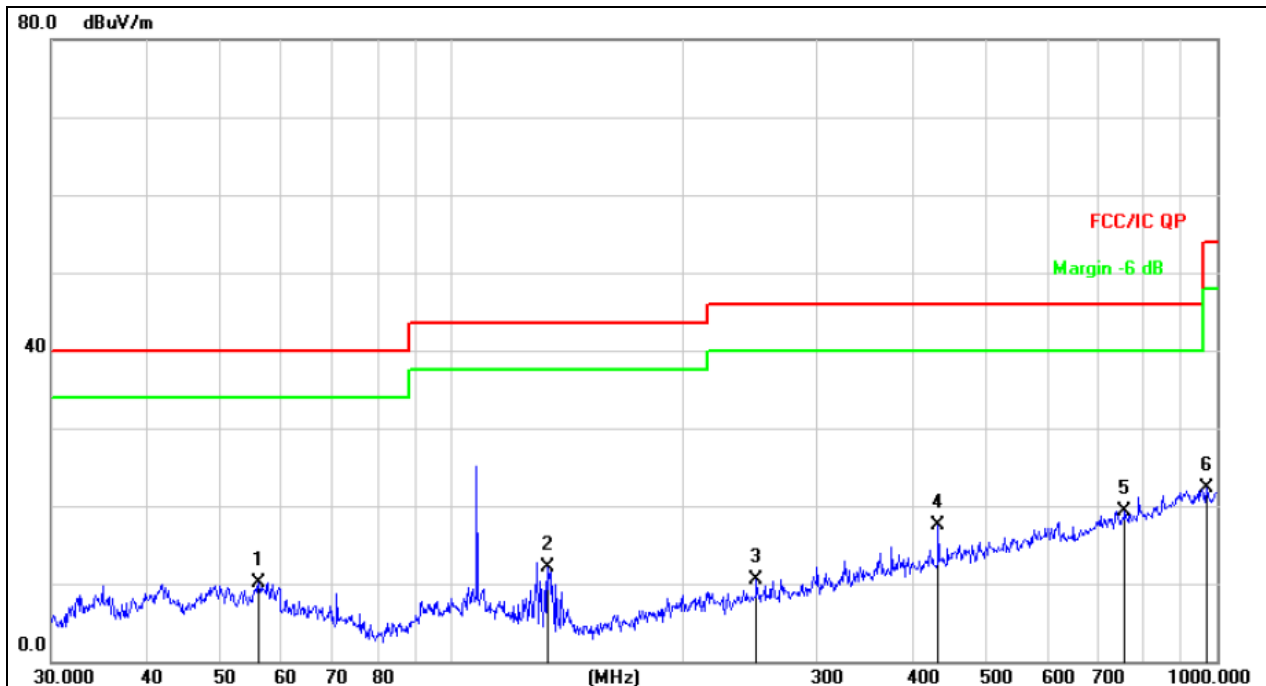


Remark:

1. All readings are Quasi-Peak and Average values.
2. Factor = Insertion Loss + Cable Loss.

No.	Mk.	Freq. MHz	Reading Level dBuV	Correct Factor dB	Measure- ment dBuV/m	Limit dB/m	Over dB	Detector
1		47.4918	25.19	-14.99	10.20	40.00	-29.80	QP
2		132.6850	32.64	-18.38	14.26	43.50	-29.24	QP
3		216.0240	29.79	-15.93	13.86	46.00	-32.14	QP
4		311.0867	28.68	-13.30	15.38	46.00	-30.62	QP
5	*	432.5457	28.68	-10.36	18.32	46.00	-27.68	QP
6		996.4995	23.53	-0.83	22.70	54.00	-31.30	QP

Temperature :	26 °C	Relative Humidity :	54%
Pressure :	101kPa	Phase :	V
Test Voltage :	DC 12V	Test Mode :	Mode 3(107.9MHz)



Remark:

1. All readings are Quasi-Peak and Average values.
2. Factor = Insertion Loss + Cable Loss.

No.	Mk.	Freq.	Reading Level	Correct Factor	Measurement	Limit	Over	
		MHz	dBuV	dB	dBuV/m	dB/m	dB	Detector
1		56.0007	25.56	-15.49	10.07	40.00	-29.93	QP
2		133.6188	30.63	-18.45	12.18	43.50	-31.32	QP
3		250.3012	25.65	-15.14	10.51	46.00	-35.49	QP
4		432.5457	27.89	-10.36	17.53	46.00	-28.47	QP
5	*	758.0408	23.54	-4.23	19.31	46.00	-26.69	QP
6		968.9338	23.27	-1.00	22.27	54.00	-31.73	QP



### 3.2.6 TEST RESULTS (1GHZ~6GHZ)

Polar (H/V)	Frequency	Meter Reading	Pre-amplifier	Cable Loss	Antenna Factor	Emission Level	Limits	Margin	Detector Type
	(MHz)	(dBuV)	(dB)	(dB)	(dB)	(dBuV/m)	(dBuV/m)	(dB)	
V	1057.20	53.98	39.55	7.77	25.66	47.86	74.00	-26.14	PK
V	1057.20	43.90	39.55	7.77	25.66	37.78	54.00	-16.22	AV
V	1174.80	53.08	38.33	7.30	24.55	46.60	74.00	-27.40	PK
V	1174.80	43.39	38.33	7.30	24.55	36.91	54.00	-17.09	AV
V	1292.40	52.57	35.23	6.60	26.59	50.53	74.00	-23.47	PK
V	1292.40	54.11	39.55	6.60	25.66	46.82	74.00	-27.18	AV
H	1145.30	43.82	39.55	7.45	25.66	37.38	54.00	-16.62	PK
H	1145.30	50.73	38.33	7.45	24.55	44.40	74.00	-29.60	AV
H	1272.70	43.36	38.33	6.70	24.55	36.28	54.00	-17.72	PK
H	1272.70	53.14	35.45	6.70	26.59	50.98	74.00	-23.02	AV
H	1400.10	53.98	39.55	5.80	25.66	45.89	74.00	-28.11	PK
H	1400.10	43.90	39.55	5.80	25.66	35.81	54.00	-18.19	AV

Remark:

1. Emission Level = Meter Reading + Antenna Factor + Cable Loss – Pre-amplifier,

Margin= Emission Level - Limit

2. If peak below the average limit, the average emission was no test.

3. The amplitude of spurious emissions which are attenuated by more than 20dB below the permissible value has no need to be reported.

### 3.2.7 FIELD STRENGTH CALCULATION

The field strength is calculated by adding the Antenna Factor and Cable Factor and subtracting the Amplifier Gain and Duty Cycle Correction Factor (if any) from the measured reading. The basic equation with a sample calculation is as follows:

$$FS=RA+AF+CL-AG$$

FS=Field Strength	CL=Cable Attenuation Factor (Cable Loss)
RA=Reading Amplitude	AG=Amplifier Gain
AF=Antenna Factor	

Test Result:

Temperature :	26℃	Relative Humidity :	54%
Pressure :	101kPa	Polarization :	Horizontal
Test Voltage :	DC 12V		
Test Mode :	Mode 1		

Frequency	Meter Reading	Factor	Emission Level	Limits	Margin	Detector Type
(MHz)	(dBμV)	(dB)	(dBμV/m)	(dBμV/m)	(dB)	
88.1	36.01	-18.55	17.46	68.00	-50.54	Peak
88.1	30.11	-18.55	11.56	48.00	-36.44	Average

Remark:

Factor = Antenna Factor + Cable Loss – Pre-amplifier.

All interfaces was connected, and TX mode

Temperature :	26℃	Relative Humidity :	54%
Pressure :	101kPa	Polarization :	Vertical
Test Voltage :	AC 12V		
Test Mode :	Mode 1		

Frequency	Meter Reading	Factor	Emission Level	Limits	Margin	Detector Type
(MHz)	(dBμV)	(dB)	(dBμV/m)	(dBμV/m)	(dB)	
88.1	36.40	-18.55	17.85	68.00	-50.15	Peak
88.1	30.14	-18.55	11.59	48.00	-36.41	Average

Remark:

Factor = Antenna Factor + Cable Loss – Pre-amplifier.

All interfaces was connected, and TX mode

Temperature :	26°C	Relative Humidity :	54%
Pressure :	101kPa	Polarization :	Horizontal
Test Voltage :	DC 12V		
Test Mode :	Mode 2		

Frequency	Meter Reading	Factor	Emission Level	Limits	Margin	Detector Type
(MHz)	(dB $\mu$ V)	(dB)	(dB $\mu$ V/m)	(dB $\mu$ V/m)	(dB)	
98.0	40.14	-16.68	23.46	68.00	-44.54	Peak
98.0	33.58	-16.68	16.9	48.00	-31.10	Average

Remark:  
 Factor = Antenna Factor + Cable Loss – Pre-amplifier.  
 All interfaces was connected, and TX mode

Temperature :	26°C	Relative Humidity :	54%
Pressure :	101kPa	Polarization :	Vertical
Test Voltage :	AC 12V		
Test Mode :	Mode 2		

Frequency	Meter Reading	Factor	Emission Level	Limits	Margin	Detector Type
(MHz)	(dB $\mu$ V)	(dB)	(dB $\mu$ V/m)	(dB $\mu$ V/m)	(dB)	
98.0	42.04	-16.68	25.36	68.00	-42.64	Peak
98.0	35.74	-16.68	19.06	48.00	-28.94	Average

Remark:  
 Factor = Antenna Factor + Cable Loss – Pre-amplifier.  
 All interfaces was connected, and TX mode

Temperature :	26°C	Relative Humidity :	54%
Pressure :	101kPa	Polarization :	Horizontal
Test Voltage :	DC 12V		
Test Mode :	Mode 3		

Frequency (MHz)	Meter Reading (dBμV)	Factor (dB)	Emission Level (dBμV/m)	Limits (dBμV/m)	Margin (dB)	Detector Type
107.9	46.35	-16.79	29.56	68.00	-38.44	Peak
107.9	40.17	-16.79	23.38	48.00	-24.62	Average

Remark:

Factor = Antenna Factor + Cable Loss – Pre-amplifier.

All interfaces was connected, and TX mode

Temperature :	26°C	Relative Humidity :	54%
Pressure :	101kPa	Polarization :	Vertical
Test Voltage :	AC 12V		
Test Mode :	Mode 3		

Frequency (MHz)	Meter Reading (dBμV)	Factor (dB)	Emission Level (dBμV/m)	Limits (dBμV/m)	Margin (dB)	Detector Type
107.9	42.31	-16.79	25.52	68.00	-42.48	Peak
107.9	36.17	-16.79	19.38	48.00	-28.62	Average

Remark:

Factor = Antenna Factor + Cable Loss – Pre-amplifier.

All interfaces was connected, and TX mode

## 4. BANDWIDTH TEST

### 4.1 APPLIED PROCEDURES / LIMIT

According to 15.209&15.239 requirement:  
 The bandwidth of the emission shall not exceed 200 kHz.

Spectrum Parameter	Setting
Attenuation	Auto
Span Frequency	> Measurement Bandwidth or Channel Separation
RB	1kHz
VB	$\geq$ RBW
Detector	Peak
Trace	Max Hold
Sweep Time	Auto

#### 4.1.1 TEST PROCEDURE

- a. The EUT was directly connected to the spectrum analyzer and antenna output port as show in the block diagram below,
- b. Spectrum Setting : RBW= 1kHz, VBW $\geq$  RBW, Sweep time = Auto.

#### 4.1.2 DEVIATION FROM STANDARD

No deviation.

#### 4.1.3 TEST SETUP



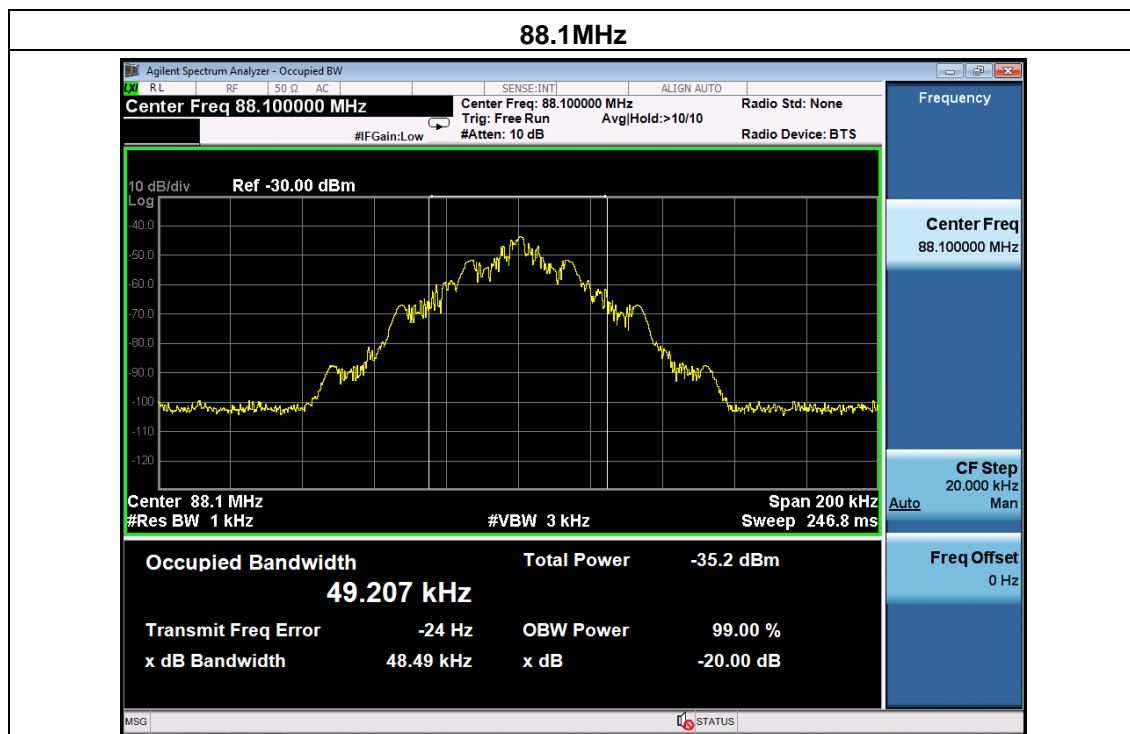
#### 4.1.4 EUT OPERATION CONDITIONS

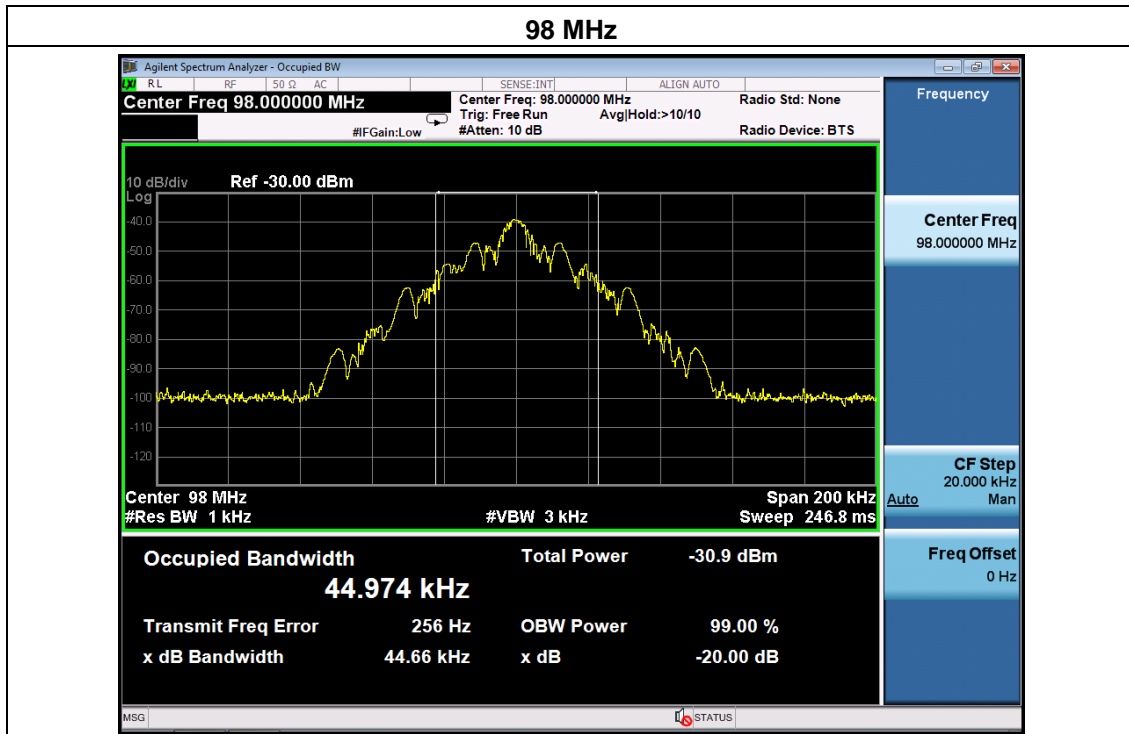
The EUT tested system was configured as the statements of 2.4 Unless otherwise a special operating condition is specified in the follows during the testing.

**4.1.5 TEST RESULTS**

Temperature :	26 °C	Relative Humidity :	54%
Pressure :	101kPa	Test Voltage :	DC 12V
Test Mode :	TX Mode		

Frequency	20dBc bandwidth (kHz)	Limit (kHz)	Result
88.1MHz	48.49	200	PASS
98 MHz	44.66	200	PASS
107.9 MHz	42.46	200	PASS





## 5. BAND EDGE MEASUREMENT

### 5.1 APPLICABLE STANDARD

FCC Part15 Paragraph 15.209&15.239

Outside the 200kHz band(as well as outside the 88-108MHz band), the general field strength limits listed in 15.209 apply.

### 5.2 TEST PROCEDURE

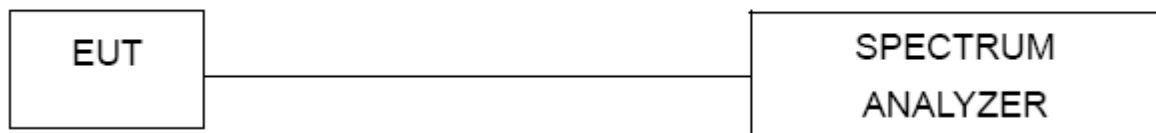
Using the following spectrum analyzer setting:

- a) Set the RBW = 3KHz.
- b) Set the VBW = 10KHz.
- c) Sweep time = auto couple.
- d) Detector function = peak.
- e) Trace mode = max hold.
- f) Allow trace to fully stabilize.

### 5.3 DEVIATION FROM STANDARD

No deviation.

### 5.4 TEST SETUP



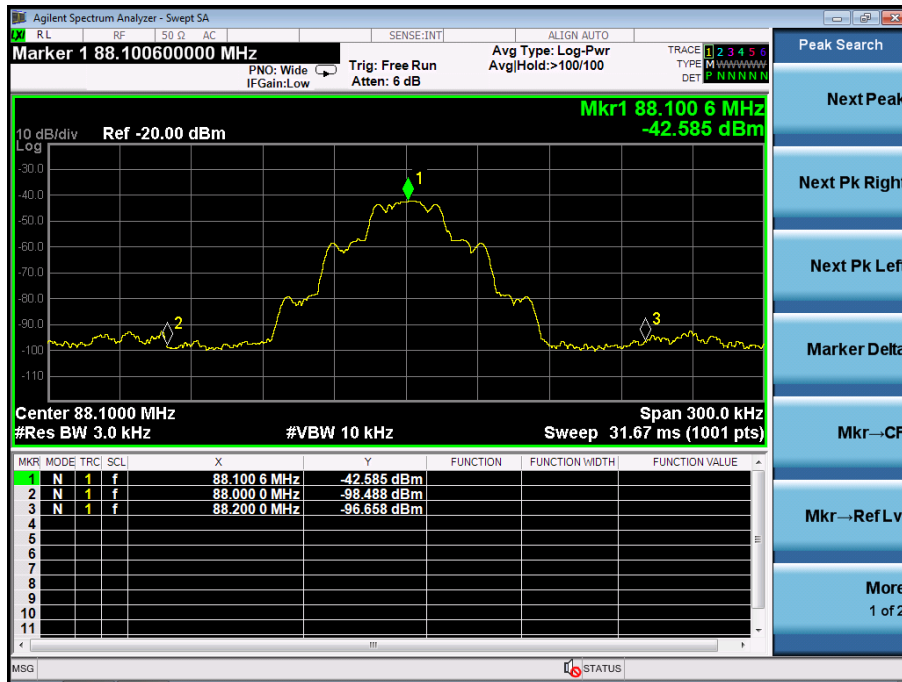
### 5.5 EUT OPERATION CONDITIONS

The EUT tested system was configured as the statements of 2.4 Unless otherwise a special operating condition is specified in the follows during the testing.

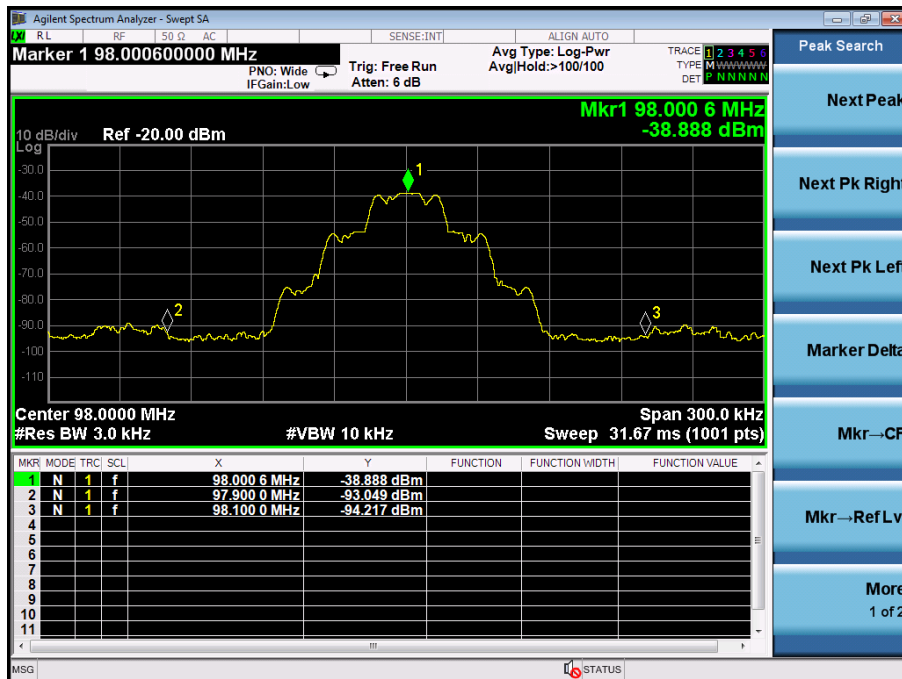
### 5.6 TEST RESULTS



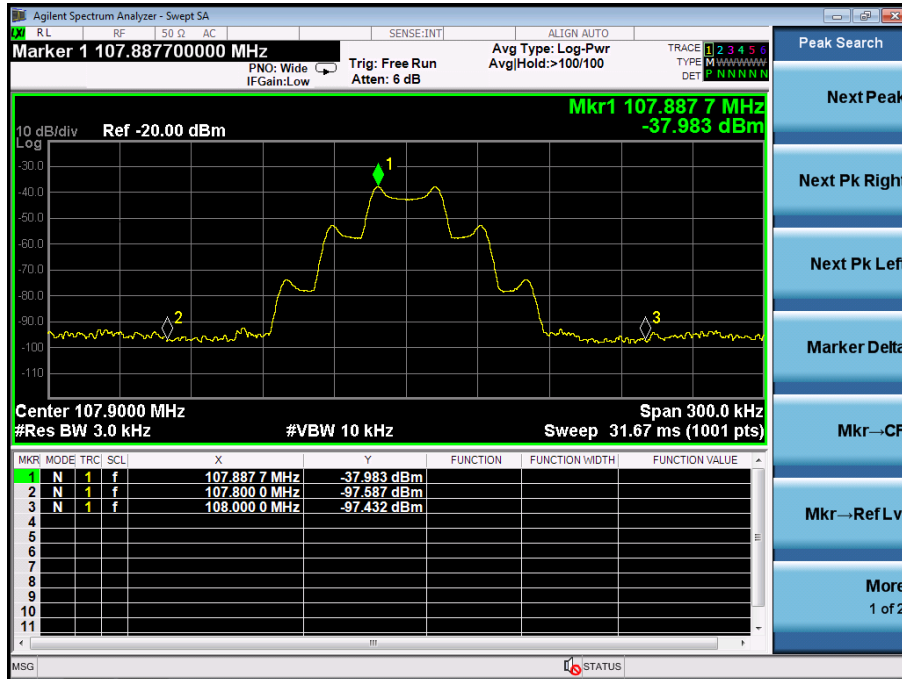
### 88.1MHz



### 98MHz



107.9MHz



## 6. ANTENNA REQUIREMENT

### 6.1 STANDARD REQUIREMENT

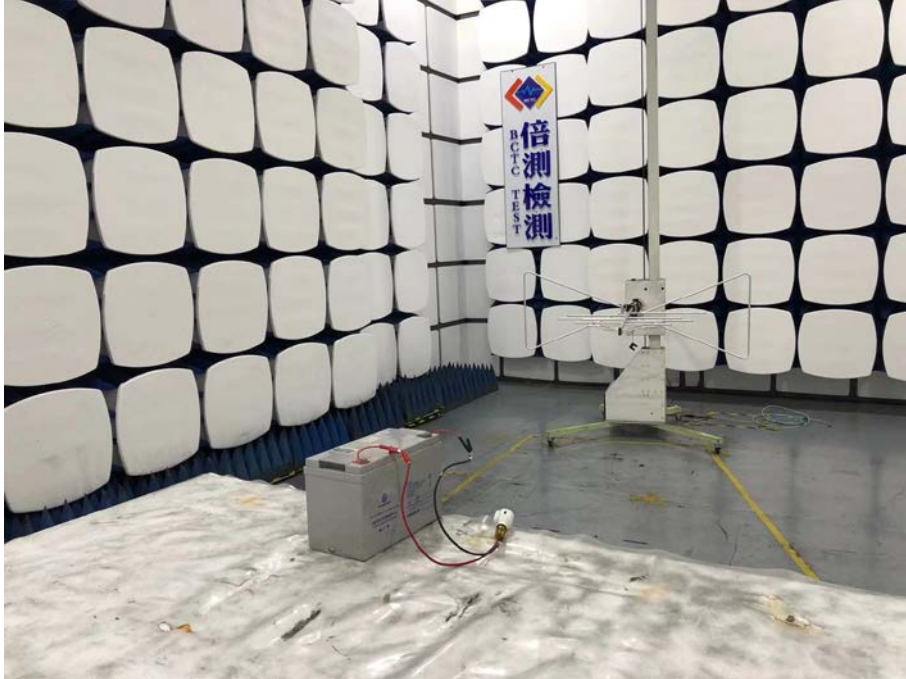
15.203 requirement: For intentional device, according to 15.203: an intentional radiator shall be designed to ensure that no antenna other than that furnished by the responsible party shall be used with the device.

### 6.2 EUT ANTENNA

The EUT antenna is the PCB Antenna. It comply with the standard requirement.

## 7. EUT TEST PHOTO

### Radiated Measurement Photos



## 8. EUT PHOTO

EUT Photo 1



EUT Photo 2





**EUT Photo 3**



**\*\*\*\*\* END OF REPORT \*\*\*\*\***