

**CRAIG®**

# **LAND & AIR DRONE**

**With wheels, Camera and Wifi**

*Owner's Manual*

PLEASE READ BEFORE OPERATING THIS EQUIPMENT.

**Model: CRT721CW**

## **FCC INFORMATION:**

This equipment has been tested and found to comply with the limits for a Class B digital device, pursuant to part 15 of the FCC Rules. These limits are designed to provide residential protection against harmful interference in a residential installation. This equipment generates, uses and can radiate radio frequency energy and, if not installed and used in accordance with the instructions, may cause harmful interference to radio communications. However, there is no guarantee that interference will not occur in a particular installation. If this equipment does cause harmful interference to radio or television reception, which can be determined by turning the equipment off and on, the user is encouraged to try to correct the interference by one or more of the following measures:

- Reorient or relocate the receiving antenna.
- Increase the separation between the equipment and receiver.
- Connect the equipment into an outlet on the circuit different from that to which the receiver is connected.
- Consult the dealer or an experienced radio/TV technician for help.

## **FCC WARNING:**

The equipment may generate or use radio frequency energy. Changes or modifications to this equipment may cause harmful interference unless the modifications are expressly approved in the instruction manual. Modifications not authorized by the manufacturer may void user's authority to operate this device.

## **GENERAL WARNINGS:**

### **1. Important Instructions:**

- This product is suitable for 14 years old and above. Please read the instruction manual before you play with this product.

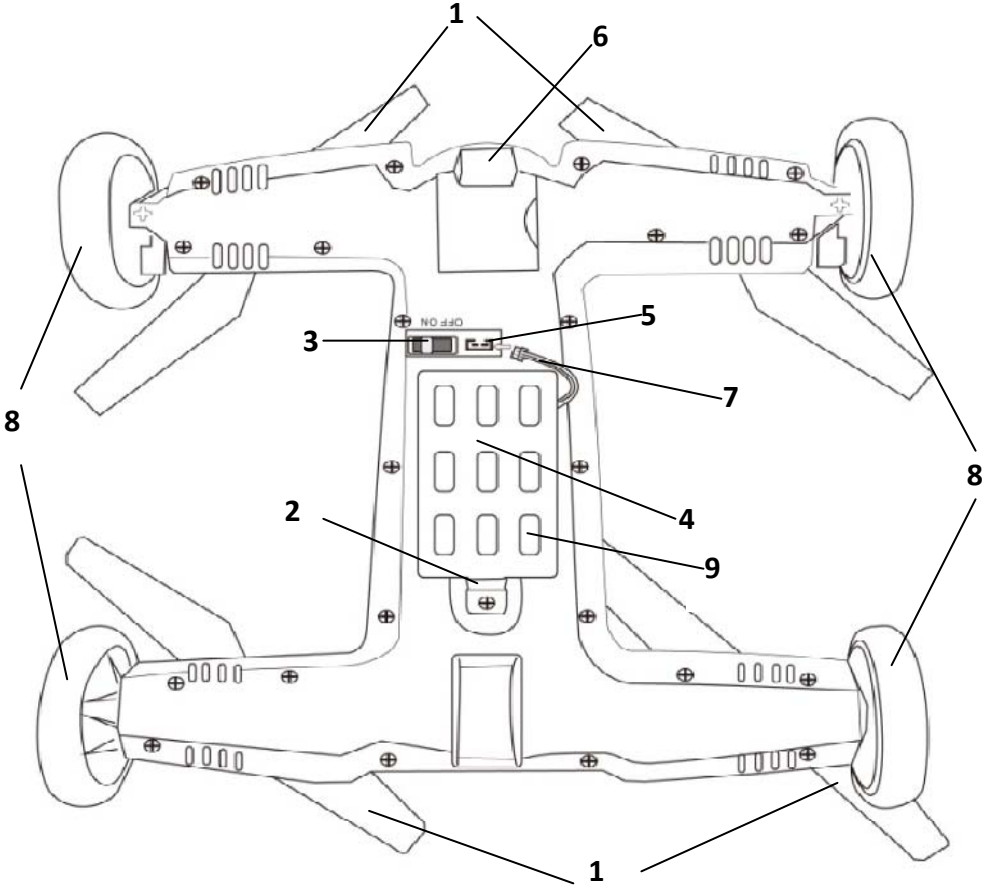
### **2. Make sure the unit always within the Radio Frequency (and Wi-Fi if connected) control range. Otherwise, the unit will out of control and may crash.**

### **3. Safety Instructions:**

- **Keep away from the objects and crowds.**
  - The unit is flying at high speed; keep it away from crowds, buildings, high voltage wires, etc.
  - Do not operate this unit in bad weather.
- **Keep away from water and rain.**
  - The unit has electronic and mechanical parts which may be damaged by water
- **Keep away from the working unit.**
  - The blades are turning in high speed, always keep away from it.

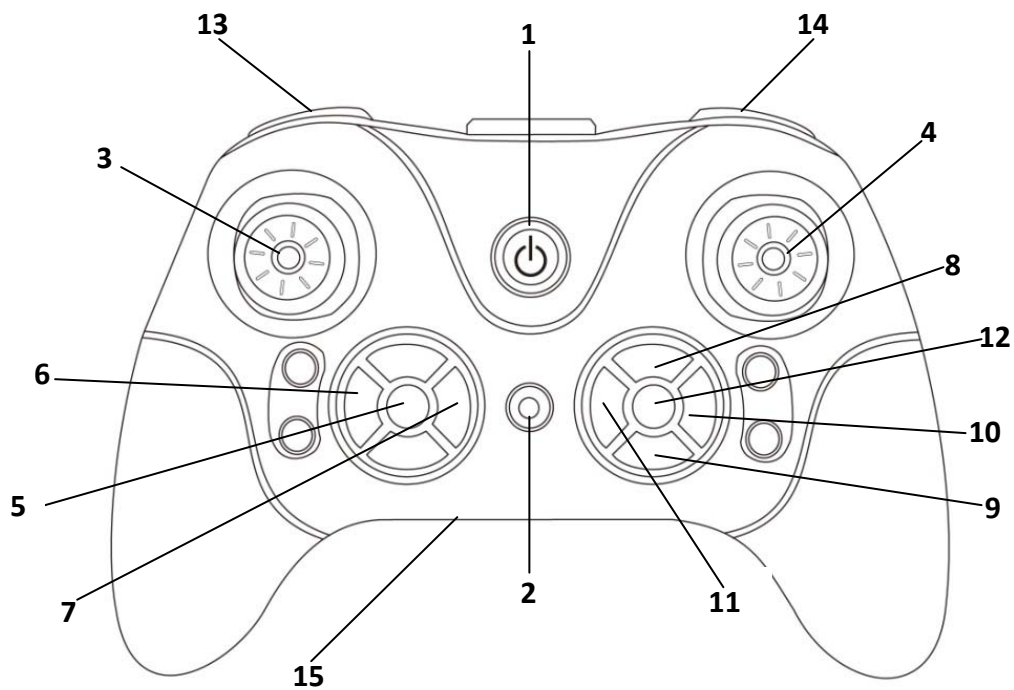
# LOCATION OF CONTROLS:


## Main Unit:



- 1. Blades
- 2. Battery Compartment
- 3. Power ON-OFF Switch
- 4. Installed Li-ion Rechargeable Battery
- 5. DC IN Jack
- 6. Camera
- 7. Connection Cable from Installed Battery
- 8. Wheels
- 9. Battery Door

## Remote Control:



1.  Power On-Off Button
2. Indicator
3. Left Joystick
4. Right Joystick
5. Headless Mode Button
6. Left Turn Trimmer
7. Right Turn Trimmer
8. Forward Trimmer
9. Backward Trimmer
10. Right Side Trimmer
11. Left Side Trimmer
12. OK (One Key Return) Button
13. Hi-Low Speed Selection Button
14. 3D Rolling Button
15. Battery Door (On the rear)

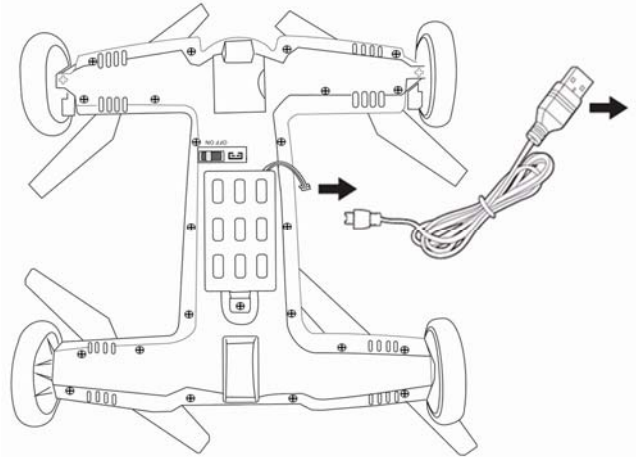
## PREPARATIONS:

### Battery Recharging:

The unit has DC 3.7V Li-ion rechargeable battery and already installed in the battery compartment.

Recharge it before first time use or when it is drained as follows:

1. Connect the small plug from the supplied Connect Cable to the Battery Connection Cable.
2. Connect the full sized USB Plug from the Connection Cable to the USB Port on Personal Computer or USB Charger (Not included) as illustrated below:



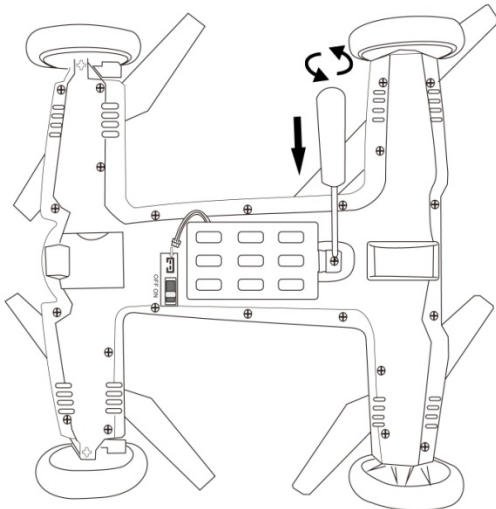
**Connect to Personal  
Computer or USB Charger  
(Computer and USB  
Charger not included)**

3. Charging will automatically start. The Red Charging Indicator inside the full size USB Plug will illuminate. When finished charging, the indicator will turn off.

### To replace the battery:

If you want replace the installed battery by other new battery (not included), replace it as below:

1. Loosen the screw on the battery door by supplied screwdriver as illustrated below:



2. Press the tab on the battery door then lift it up.
3. Replace the battery.
4. Close the battery door then tighten the screw.

## Notes:

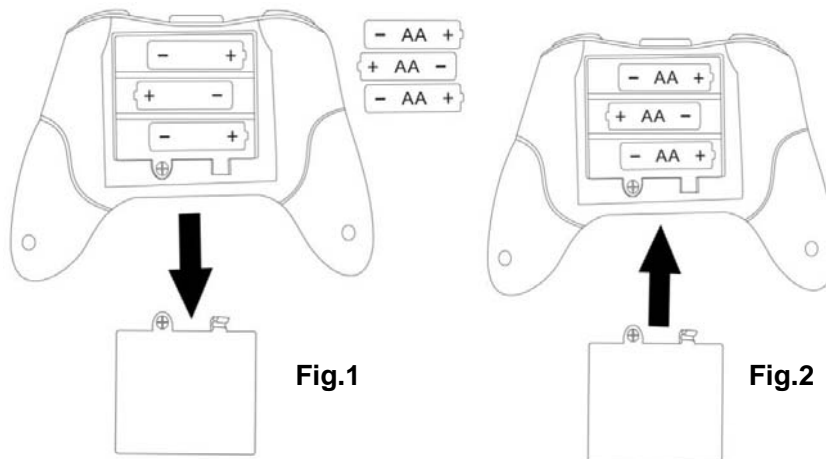
Your battery will last longer if you're following these simple guidelines for caring and storing:

- A. Before first time use (or normal charging), charge it approximately 1.5 Hours until the unit is fully charged.
- B. Recharge and store the unit within the temperature range of 5°C~35°C (40°F~95°F).
- C. Do not charge longer than 24 hours. Excessive charging or running the unit until battery fully drains will damage battery. Battery life will be extended if you keep the battery fully charged.
- D. Battery life naturally shortens slowly over time.

## Install or replace the batteries of Remote Control:

If using the supplied Remote Control to control the unit. Install or replace the batteries (when the batteries were drained) as below:

1. Loosen the screw on the battery door by a screwdriver (not included).
2. Press the tab then lift it up to open it.
3. Install (or replace) three (3) AA size batteries (not included ) into the battery compartment as the polarity marking inside. (For longest playing time, alkaline batteries are recommended.)
4. Replace the battery door then tighten the screw.



## BATTERY PRECAUTIONS:

Follow these precautions when using a battery in this device:

1. Using only the size and type of battery specified.
2. Be sure to follow the correct polarity when installing the battery as indicated in the battery compartment. A reversed battery may cause damage to device.
3. Do not mix different types of batteries together (e.g. Carbon-zinc, Alkaline) or old batteries with fresh ones.

4. If the batteries in the device are consumed or the device is not to be used for a long period of time, remove the batteries to prevent damage or injury from possible battery leakage.
5. Do not try to recharge the battery after fully charged, it can overheat and rupture. (Follow battery manufacturer's instructions.)
6. Do not dispose of battery in fire. Battery may explodes or leak.
7. Clean the battery contacts and also those of the device prior to battery installation.

### **Apps Installation:**

If you want use the mobile device (such like cell phone, tablet ...) to control the unit (or for real time monitoring; take pictures/videos when using Remote Control) through Wi-Fi network. Download and install the controller APPS (Application) from the APPS Store into the mobile device as below:

1. Android Devices:  
Search and download the "CRAIG LAND & AIR DRONE" APPS from "Googleplay" store then install it in your Android device.
2. iPhone / iPad:  
Search and download the "CRAIG LAND & AIR DRONE" APPS from "Apple APP Store" store then install it in your iPhone or iPad.
3. After apps installation, apps "**CRAIG**" will appear on the apps list in your mobile device.

### **Compatible operation systems of the mobile device:**

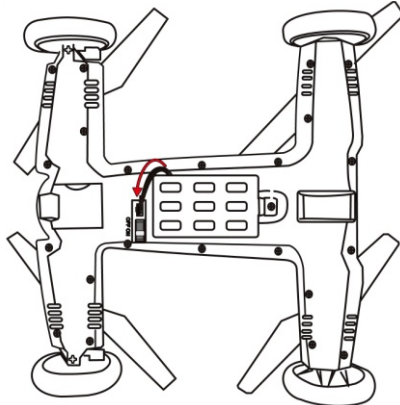
Android device: Android 4.3 or later version




iPhones/iPad: IOS 8.0 or later version

## OPERATION


### Operation with Remote Control:

1. Recharge the installed rechargeable battery in the unit as previous procedures.
2. Connect the Connection Cable from the battery to the DC IN Jack on the unit as illustrated below:



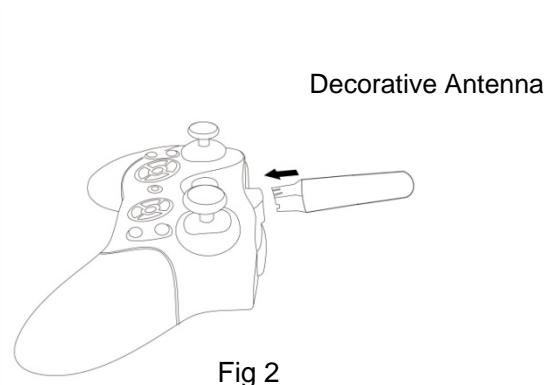
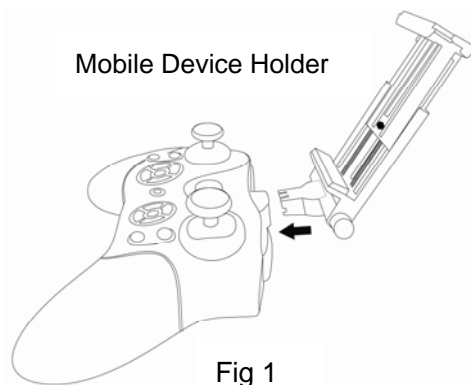
3. Slide the Power ON-OFF Switch to ON position to power on the unit. The decorative LED lights on the unit will illuminate and blink.
4. Place the unit on a horizontal place.
5. Install the batteries to the Remote Control as the previous procedures. Press the  Power On-Off Button to turn on the Remote Control. The Power On Indicator will illuminate and blink.
6. Push the Left Joystick upward and then push it downward immediately to pairing the Remote Control to the unit. When paired, the Power On Indicator on the unit will stop blinking. Then:
  - A. Push the Left Joystick upward to rising.
  - B. Push the Left Joystick downward to reduce the height or landing.
  - C. Push the Left Joystick to left to turns the unit counterclockwise.
  - D. Push the Left Joystick to right to turns the unit clockwise.
  - E. Push the Right Joystick upward to fly to forward.
  - F. Push the Right Joystick downward to fly to backward.
  - G. Push the Right Joystick to left to fly to left.
  - H. Push the Right Joystick to right to fly to right.
  - I. Press the Left/Right Turn Trimmer repeatedly to fine tune the Joystick's control of Left/Right turn.
  - J. Press the  Forward/Backward Turn Trimmer repeatedly to fine tune the Joystick's control of Forward/Backward turn.
  - K. Press the  Left/Right Side Trimmer repeatedly to fine tune the Joystick's control of Left/Right fly.
  - L. During flying, press the OK (One Key Return) Button to fly the unit to the starting point automatically.



- M. During flying, press the Hi-Low Speed Selection Button repeatedly to set or reset the speed as desired.
  - N. During flying, press the Headless Button to automatically identify where the front of is. Then slide the Right Joystick upward to fly the unit to it. Press the button again to resume normal control.
  - O. During flying, press the 3D Rolling Button to roll the unit.
7. To stop flying, slide the left Joystick to downward. Wait until the blade stop running and landing. (On this status, the unit is automatically changed to car mode. Use the Right Joystick to control the motion of it.)
  8. To shut off the Remote Control, press the  Power On-Off Button. The Power On Indicator will not lit.
  9. To shut off the unit, slide the Power ON-OFF Switch on the bottom of unit to OFF position. The decorative LED lights will not lit.

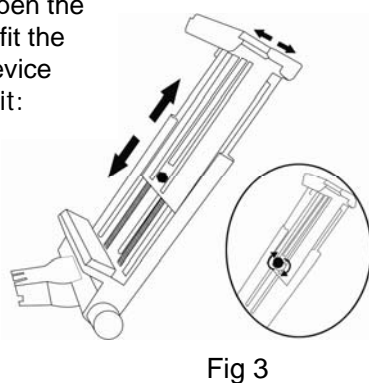
### Operation and controls by the Mobile Device:

1. Recharge the battery and connected it to the DC IN Jack on the unit as previous procedures.
2. Install the Mobile Device Holder into the Remote Control as Fig 1 below:  
(If you don't use the mobile device, you can installed the supplied decorative antenna into the Remote Control as Fig 2 below)



3. Install the mobile device on the holder as Fig 3 & 4 below:

Slide to open the Holder to fit the Mobile Device then lock it:



4. Adjust the angle then lock it as Fig 5 below:

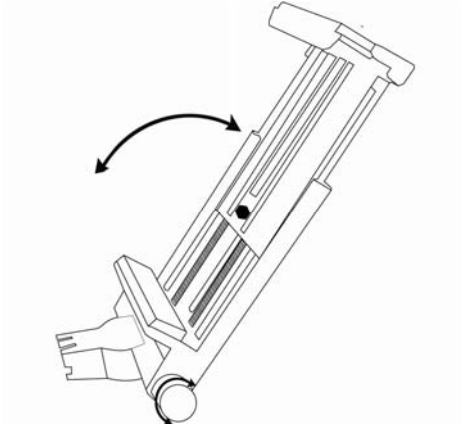




Fig 5

5. Slide the Power ON-OFF Switch on the bottom of unit to ON position to power on the unit. The decorative LED lights will illuminate and blink.
6. Power on your mobile device then enter to the Wi-Fi setting menu. Search the link "CRT721CW" in the list then connect to it as the on screen instructions.
7. Turn on the apps "**CRAIG**" in the mobile device. The follows picture will appear.



8. Touch the "?" Button on the screen to read the User's Manual before start to play.
9. Touch the "⚙️" Button on the screen to enter to setting menu. Set or reset the settings as the on screen instructions as desired.

10. Touch the “play” Button on the screen to start to play, real time picture will appear on the mobile device. Using the control buttons on the mobile device's screen (or the controls on the

paired Remote Control) to control the unit. You can also use the “” and/or “” Buttons on the mobile device's screen to take photos/videos as the on screen instructions.

11. To stop flying, touch and slide the left Joystick on the screen to downward (or slide the Left Joystick on the Remote Control to downward). Wait until the blades stop running. (On this status, the unit is automatically to change to car mode. Use the right Joystick on the screen to control the motion of it).



## GYRO RESET

If the motion and/or control of the unit become unstable after impact. You may need to reset the built-in Gyro Sensor as follows:

1. Pairing the Remote Control to the unit as previous procedures.
2. Slide and hold both Right & Left Joystick to Down-right position until a beep sound hearing then release the Joystick.

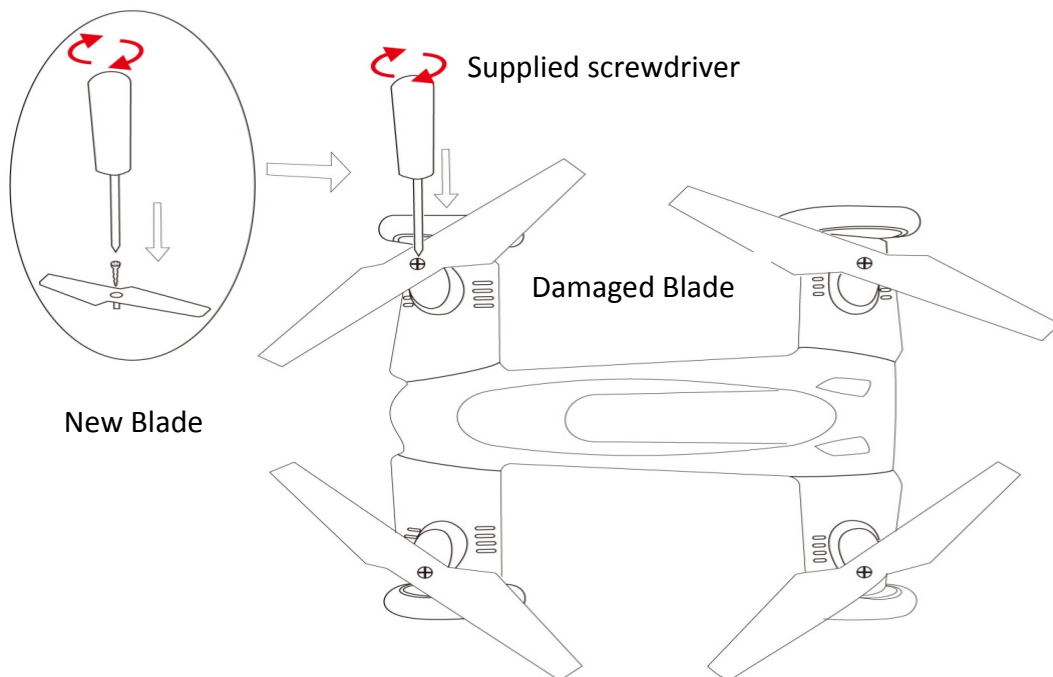


**IMPORTANT:**

1. Read the User's Manual by Touch the "?" Button on the installed app's screen very carefully before start to play.
2. The captured photo/videos will auto stored in the mobile device. Find the correspondence folders/files in the mobile device or APPS (Difference mobile devices may store in difference folders) to read/play the recorded photo/videos.

**Replacement of Blades:**

If blade was damaged or deformed, replace it by the supplied same type (same color) of spare blade with the supplied screwdriver as illustrated below:



Note: Always replace the damaged blade by the same type (same markings) of blade. Otherwise, the motion of the unit will become abnormal.

## TROUBLE SHOOTING:

SYMPTOM:	POSSIBLE CAUSE	POSSIBLE SOLUTION
Remote Control not functioning	The batteries drained.	Replace by new batteries.
	Batteries wrong installed.	Reinstall the batteries as the polarity marking inside the battery compartment.
The unit not workable	The built-in battery had not connected to the unit	Connect the built-in battery to the unit as "OPERATION" section point 1 on page 7.
	The built-in battery drained.	Recharge the built-in battery as the "PREPARATION" section on page 4.
	The unit had not paired to the Remote Control.	Pair the unit to the Remote Control as "OPERATION" section point 3-5 on page 7.
The blade still running after landing	The unit had not shut off.	Push the Left Joystick on the Remote Control to downward. Wait until the blades is stop turning. Press the Power ON-OFF Button on the Remote Control to shut off the it. Slide the Power ON-OFF Button the bottom of unit to Off position to shut off the unit.
Control abnormal or motion unstable	One (or more than one) blade(s) deformed or damaged.	Check and replace the deformed/damaged blade(s) by new one.
The unit can not moving straightly or auto turning		Adjust the motion by press the: ◀▶ Left/Right fly and/or ⬆ Forward/Backward and/or Light/Right turn Trimmers repeatedly.
Not operation in Wi-Fi Mode	Wi-Fi had not connected	Connect to the Wi-Fi as page 9-10.

**General Specification:**

Power Source:

Unit:.....Built-in DC=3.7V, 750mAh (2.775WH) Li-ion rechargeable battery.

Recharge by DC=5V through Computer or USB Charger with the supplied USB Charging Cable (Computer and USB Charger not included).

Remote Control:.... DC=4.5V, 3 x AA Size Batteries (Not Included).

Effective range of Remote Control:.....Up to 100 feet in open area

Radio Frequency:.....2.4GHz

Wi-Fi Version:.....802.11 b/g/n

Effective range of Wi-Fi Control..... Up to 65 feet in open area

Sensor of Camera:.....300k Pixels

Capture Modes:

Photo: 640 x 480 pixels in JPEG

Video: 640 x 480 pixels, 30fps in AVI

**Accessories:**

1 x Owner's Manual

1 x Remote Control

1 x USB Charging Cable (For charging only)

4 x Spare Blades

1 x Screwdriver (for change the Blades only)

1 x Mobile Device Mounting Bracket

1 x Plastic Decorative Antenna

**The specifications and accessories are subject to change without notice.**

## LIMITED WARRANTY

Craig warrants this product to be free from manufacturing defects in material and workmanship under normal use for a period of 90 days from date of purchase. If service is required, please return the product to the store where it was purchased for exchange; or, pack the unit in the original packing material with all accessories if applicable, a copy of your sales receipt and a Cashier's check or Money Order for \$15 (to cover shipping and handling costs) payable to Craig Electronics Inc. For consumers in Canada, please make sure that the cashier check or money order is redeemable through a U.S. bank. Ship your product freight pre-paid. Your unit will be repaired, replaced or if the unit can not be repaired or replaced, a refund will be forwarded to you within four weeks of receipt of your unit. Please ship your unit to:

Craig Electronics Inc.  
1160 NW 163 Drive  
Miami, FL 33169

This warranty is void if the product has been: a) Used in a commercial application or rental. b) Damaged through misuse, negligence, or abuse. c) Modified or repaired by anyone other than an authorized Craig service center. d) Damaged because it is improperly connected to any other equipment.

Note: This warranty does not cover: a) Ordinary adjustments as outlined in the Owner's Manual which can be performed by the customer. b) Damage to equipment not properly connected to the product. c) Any cost incurred in shipping the product for repair. d) Damage to the product not used in the USA.

This warranty is not transferable and only applies to the original purchase. Any implied warranties, including the warranty of merchantability, are limited in duration to the period of this expressed warranty and no warranty whether expressed or implied shall apply to the product thereafter.

Under no circumstance shall Craig be liable for any loss or consequential damage arising out of the use of this product. This warranty gives specific legal rights. However, you may have other rights which may vary from state to state. Some states do not allow limitations on implied warranties or exclusion of consequential damage. Therefore, these restrictions may not apply to you.

To Obtain Service on your Product  
email: [service@craigelectronics.com](mailto:service@craigelectronics.com)