

FCC Caution :

This device complies with part 15 of the FCC Rules. Operation is subject to the following two conditions: (1) This device may not cause harmful interference, and (2) this device must accept any interference received, including interference that may cause undesired operation.

Any Changes or modifications not expressly approved by the party responsible for compliance could void the user's authority to operate the equipment.

Note: This equipment has been tested and found to comply with the limits for a Class B digital device, pursuant to part 15 of the FCC Rules. These limits are designed to provide reasonable protection against harmful interference in a residential installation. This equipment generates uses and can radiate radio frequency energy and, if not installed and used in accordance with the instructions, may cause harmful interference to radio communications. However, there is no guarantee that interference will not occur in a particular installation. If this equipment does cause harmful interference to radio or television reception, which can be determined by turning the equipment off and on, the user is encouraged to try to correct the interference by one or more of the following measures:

- Reorient or relocate the receiving antenna.
- Increase the separation between the equipment and receiver.
- Connect the equipment into an outlet on a circuit different from that to which the receiver is connected.
- Consult the dealer or an experienced radio/TV technician for help.

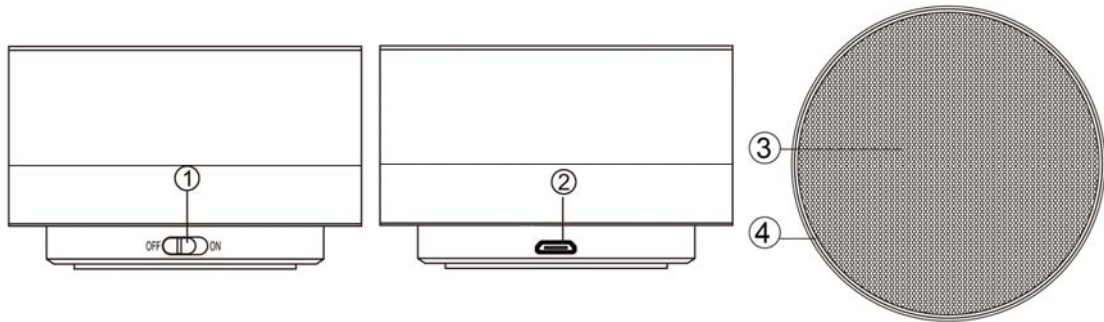
The device has been evaluated to meet general RF exposure requirement. The device can be used in portable exposure condition without restriction.

FCC WARNING

This equipment may generate or use radio frequency energy. Changes or modifications to this equipment may cause harmful interference unless the modifications are expressly approved in the instruction manual. Modifications not authorized by the manufacturer may void user's authority to operate this device.

1

LOCATION OF CONTROLS

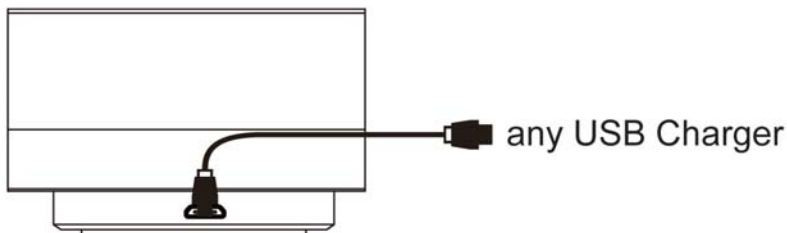


1. Power ON/OFF Switch
2. DC IN Jack (Micro USB Port, for Charging only)
3. Speaker
4. Decorative LED Lights

POWER SOURCE

The unit has a built-in Li-ion rechargeable battery, recharge it before use it when the battery is drained as follows:

1. Connect the Micro USB Plug from the supplied USB Connection Cable to the Micro USB Port on the unit.
2. Connect the full sized USB Plug from the supplied USB Connection Cable to the USB Port on Computer or USB Charger (Not included). Charging will automatically start.
 - While charging, the Red Decorative LED Lights on the unit will illuminate. When finished charging, it will turn off.
 - While charging, you can also play and listen music at the same time.



Notes:

Your battery will last longer if you're following these simple guidelines for caring and storing.

- A. Before first time use (or recharge it when the battery is drained), charge it approximately 2 hours.
- B. Recharge and store the unit within the temperature range of 5°C~35°C (40°F~95°F).

- C. Do not charge longer than 24 hours. Excessive charging or running the unit until battery fully drains will damage battery. Battery life will be extended if you keep the battery fully charged.
- D. Battery life naturally shortens slowly over time.
- E. The rechargeable battery incorporated in this product is not user replaceable.

OPERATION:

Bluetooth Pairing:

First time use or re-pairing the unit to a new BT Device, pair as follows:

1. Power on the unit by sliding the Power ON/OFF Switch to ON position. The Color Decorative LED Lights on the unit will illuminate and blink.
2. Power on the external BT Device and enter to BT searching mode. Start pairing following the screen instructions from the external BT Device. When paired, you will hear a sound prompt.
3. If pairing is complete you may now play music with your external BT Device.
4. During playback, use the Controls on the paired BT Device to adjust volume level; pause; skip tracks as usual.
5. When finished listening, slide the POWER ON/OFF Switch to OFF position to shut off the unit.

Notes:

1. When the external BT Device searched the unit, our model number "CBH576S" will appear on the display of external BT Device.
2. If while pairing you are asked for a code please try "0000" or "1234".

Normal operation after pairing:

1. Power on the external BT Device and enter to BT playback mode.
2. Power on the unit by slide the Power ON/OFF Switch to ON position. The Color Decorative LED Lights on the unit will illuminate and blink.
3. Wait a few seconds until the unit is automatically paired to the external BT Device with a sound prompt.
4. After pairing is complete you may now play music with your external BT Device.

TROUBLESHOOTING

Check the following before requesting service:

SYMPTOM	POSSIBLE CAUSE	POSSIBLE SOLUTION
Can't power on	Built-in battery drained	Recharge the built-in battery as page2
No sound or sound weak	Volume level of paired BT device is in low level	Rise the volume level of the paired BT device
Sound distortion	Volume level of the BT paired device too high	Reduce the volume level of the paired BT device
BT not functioning	The external BT Device had NOT paired to the unit	Pair the external BT device to the unit as page 3
	The external BT device too far from the unit	Place the external BT device close to the unit

SPECIFICATIONS

Power Source	Built-in DC --- 3.7V, 400Mah (1.48WH) rechargeable Li-ion battery; Recharge by DC --- 5V through DC IN Jack (Micro USB Port)
Impedance of Speakers	3 ohm; 3W
Audio Power	1.5W (RMS)
BT Version:	5.0
BT Operation Distance:	32 Feet in open area

PACKAGE INCLUDES

1. User Manual
2. USB Connection Cable (For charge only)

SPECIFICATIONS AND ACCESSORIES ARE SUBJECT TO CHANGE WITHOUT NOTICE