

CRAIG®

**MINI WIRELESS
EARPHONES**
with Bluetooth® Wireless Technology

Owner's Manual

PLEASE READ BEFORE OPERATING THIS EQUIPMENT.

Model: CBH568

FCC Statement

Warning: Changes or modifications to this unit not expressly approved by the party responsible

for compliance could void the user's authority to operate the equipment.

NOTE: This equipment has been tested and found to comply with the limits for a Class B digital device, pursuant to Part 15 of the FCC Rules. These limits are designed to provide reasonable protection against harmful interference in a residential installation. This equipment generates, uses and can radiate radio frequency energy and, if not installed and used in accordance with the instructions, may cause harmful interference to radio communications.

However, there is no guarantee that interference will not occur in a particular installation. If this equipment does cause harmful interference to radio or television reception, which can be determined by turning the equipment off and on, the user is encouraged to try to correct the interference by one or more of the following measures:

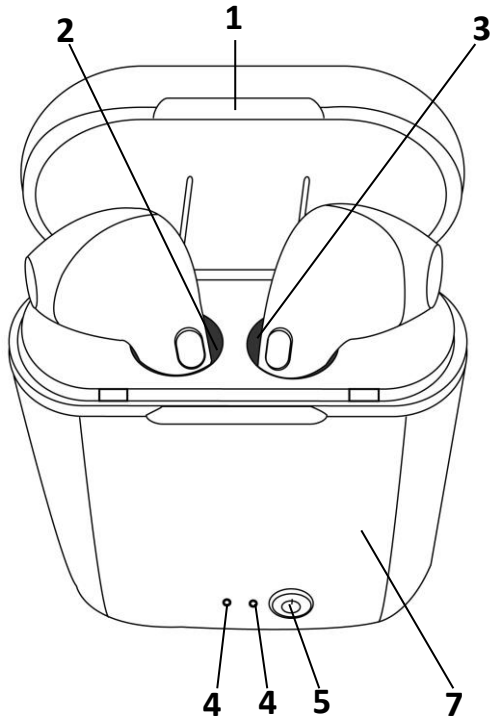
- Reorient or relocate the receiving antenna.
- Increase the separation between the equipment and receiver.
- Connect the equipment into an outlet on a circuit different from that to which the receiver is connected.
- Consult the dealer or an experienced radio/TV technician for help

The device must not be co-located or operating in conjunction with any other antenna or transmitter.

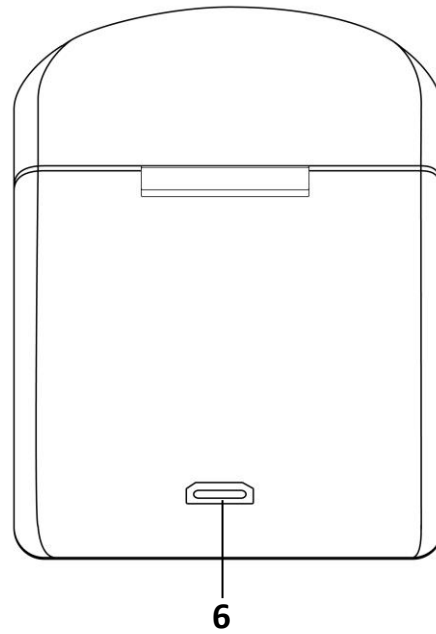
This device complies with Part 15 of the FCC Rules. Operation is subject to the following two conditions : (1) this device may not cause harmful interference, and (2) this device must accept any interference received, including interference that may cause undesired operation.


LOCATION OF CONTROLS:

FRONT:

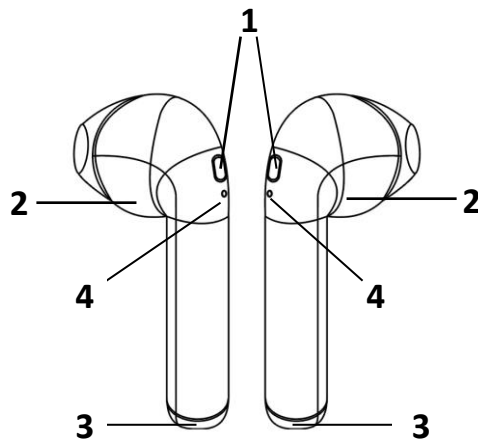


REAR:



1. Top Cover
2. Charging for Left Earbud
3. Charging for Right Earbud
4. LED Indicators
5.  Button
6. Micro USB Port (for charging only)
7. Charging Station

EARBUDS:



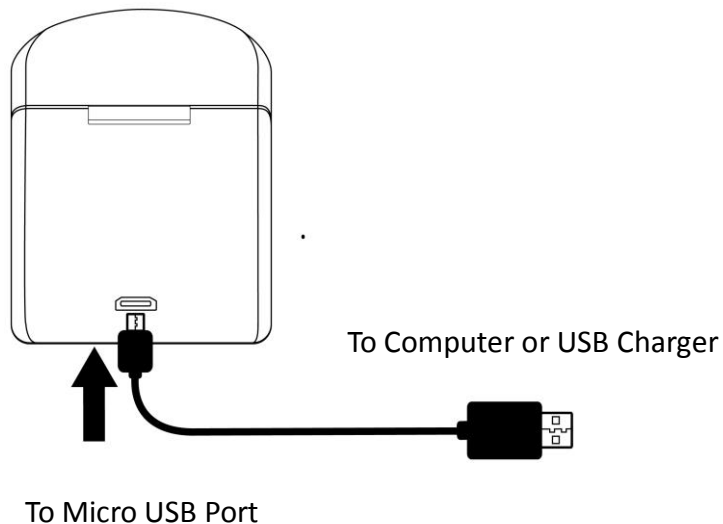
1. Control Button
2. Microphone
3. Contacts for Charging
4. LED Indicators

POWER SOURCE:

The Charging Station and Earbuds equipped built-in Li-ion rechargeable battery; recharge it before use or when it is drained as below.

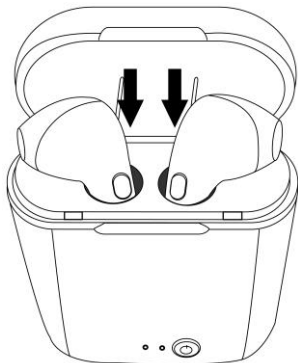
Charging Station:


1. Connect the Micro USB Plug from the supplied USB Connection Cable to the Micro USB Port on the rear of Charging Station.
2. Connect the full sized USB Plug from the supplied USB Connection Cable to the USB Port on the Computer or USB Charger. (Computer and USB Charger NOT Supplied).
3. When charging, the Red Charging Indicator on the front of Charging Station will blink. When charging is complete, it will stop blinking.



Earbuds:

1. Open the Top Cover on the top of the Charging Station.
2. Place the Left Earbud into the Left Charging Port.
3. Place the Right Earbud into the Right Charging Port as illustrated below:



4. Press the  Button on the front of Charging Station to start charging:
 - The Blue Indicator on the front of Charging Station will illuminate. (If the Charging Station is also on recharging, the Blue Indicator will turn off, and the Red Indicator will illuminate and blink).
 - The Red Indicators inside Left/Right Charging Ports will illuminate. When charging is complete, the color of it will turn to Blue. A few minutes later, all indicators will turn off for energy saving.

Notes:

- The charging time period of Left and Right earbuds may vary. It is normal.
- When charging the Charging Station, you can also charge the Earbuds through the station at the same time. (In this settings, only the Red Indicator on front of Charging Station will illuminate and blink. The Blue Charging Indicator will NOT illuminate).
- Your battery will last longer if you're following these simple guidelines for caring and storing:
 - Before first time use, charge the Charging Station and Earbuds approximately 2 hours until there are fully charged.
 - Recharge and store the Charging Station and Earbuds within the temperature range of 5°C~ 35°C (40°F ~ 95°F).
 - Do not charge longer than 24 hours. Excessive charging or running until battery completely flat will damage battery. Battery life will be extended if you keep the battery fully charged.
 - Battery life naturally shortens slowly over time.
 - The rechargeable battery incorporated in this product is not user replaceable.

OPERATION:

To use the Left Earbud alone:

For first time pairing to the Left Earbud to the BT Device (or repair to a new BT Device) alone, follow the steps below:

1. Recharge the Earbud as previously instructed.
2. Press and hold the Control Button on the Left Earbud a few seconds to power on:
 - The Red and Blue Indicators on the Earbud will illuminate and blink. You will also hear an audible prompt from Earbud to say "Power on".

- Power on the external BT Device and enter to BT searching mode. Start pairing following the on screen instructions from the external BT Device.

Note:

- When the external BT Device searches for the unit, the BT Device name “CBH568” will appear on the BT Device Name List on your external BT Device. Pair your BT Device with it.

3. When paired:
 - You will hear an audible prompt from Earbud to say “Connected”.
 - On the Earbud, the Red Indicators will turn off. The Blue Indicator will start blinking slowly.
4. If pairing is complete you may now play music and answer calls with your external BT Device.
5. During Playback:
 - Using the controls on the paired BT Device to adjust sound level; skip tracks...as usual.
 - Or, press and hold the Control Button on the Earbud approximately 1 second to skip tracks.
 - Press the Control Button on the Earbud to pause, press again to resume normal playback.
6. If the Earbud is paired to a Cell Phone and a call is incoming during an active music session:
 - Press the Control Button on the Earbud then speak to the Microphone to answer the call. When your call is complete, press the button again to disconnect or end the phone call and resume to music playback.
 - Or, press and hold the Control Button on the Earbud approximately 1 second to decline the incoming call then resume to music playback.
 - Quick press the button twice to redial the last telephone number your cell phone called.
7. When finished listening, press and hold the Control Button on the Earbud until you hear an audible prompt from Earbud to say “Power off” to shut off the Earbud.

To use the Right Earbud alone:

For first time pair the Right Earbud to the BT Device (or repair to a new BT Device) alone, follow the steps below:

1. Recharge the Earbud as previously instructed.

2. Press and hold the Control Button on the Right Earbud a few seconds to power on:
 - The Red and Blue Indicators on the Earbud will illuminate and blink. You will also hear an audible prompt from Earbud to say “Power on”.
 - Power on the external BT Device and enter to BT searching mode. Start pairing following the on screen instructions from the external BT Device.

Note:

 - When the external BT Device searches for the unit, the BT Device Name “CBH568” will appear on the BT Device Name List of external BT Device. Pair your BT Device with it.
 - If the Left Earphone was paired to the same BT Device before, another new BT Device name “CBH568” will appear on the BT Device Name List on your BT Device. Pair your BT Device with the NEW name.
3. When paired:
 - You will hear an audible prompt from Earbud to say “Connected”.
 - On the Earbud, the Red Indicators will turn off. The Blue Indicator will start blinking slowly.
4. If pairing is complete you may now play music and answer calls with your external BT Device.
5. Other operations is same as Left Earbud.

To use both Left & Right Earbuds at the same time:

1. Press and hold the Control Button on the Left and Right Earbuds a few seconds at the same time to power on both earbuds:
 - Red and Blue indicators on each Earbud will illuminate and blink.
 - You will also hearing and audible prompt from the Left and Right Earbuds to say “Power on”.
 - Then, the Red indicators on one Earbud will turn off, and the Blue Indicator on it will start blink slowly. The Red & Blue indicators on the other Earbud will keep illuminating and blinking.
 2. Power on the external BT Device and enter to BT searching mode. Start pairing following the on screen instructions from the external BT Device.
- Note:**
- When the external BT Device searches for the unit, the BT Device name “CBH568” will appear on the BT Device Name List on your external BT Device. Pair your BT Device with it.

- If Left and Right Earbuds was already paired to the same BT Device before. Wait a few seconds, the earbuds will automatically pair to the external BT Device.
3. When paired:
 - You will hear an audible prompt from Earbuds to say “Connected”.
 - The Red Indicator on the other Earbud will also turn off, and the Blue Indicator on it will start blink slowly.
 4. If pairing is complete you may now play music and answer calls with your external BT Device.
 5. During playback:
 - Using the controls on the paired BT Device to adjust sound level; skip tracks ... as usual.
 - Or, press and hold either one of the Control Button on the Earbuds approximately 1 second to skip tracks.
 - Press either one of Control Button on the Earbuds to pause, press again to resume normal playback.
 6. If the Earbuds are paired to a Cell Phone and a call is incoming during an active music session:
 - Press either one of the Control Button on the Earbuds then speak to the Microphones to answer the call. When your call is complete, press the button again to disconnect or end the phone call and resume to music playback.
 - Or, press and hold the Control Button on the Earbud approximately 1 second to decline the incoming call then resume to music playback.
 - Quick press either one of Control Button twice to redial the last telephone number your cell phone called.
 7. When finished listening, press and hold either one of Control Button on the Earbuds until you hear an audible prompt from Earbuds to say “Power off” to shut off the Left and Right Earbuds.



Normal Operation after pairing:

1. Power on the external BT Device and enter to BT playback mode.
2. Power on the Left and Right Earbuds as previously instruction.
3. Wait a few seconds, the earbud will automatically pair to the external BT Device. (Some of cell phones may not have the automatically repairing function. Then enter to the BT searching mode in your external BT Device again, start repairing following the on screen instructions from your external BT Device.)

- If pairing is complete you may now play music and answer calls with your external BT Device.

TROUBLESHOOTING:

Check the following before requesting service:

SYMPTOM	POSSIBLE CAUSE	POSSIBLE SOLUTION
Can't power on	Buit-in battery drained	Recharge the built-in battery of Charging Station and Earbuds as page 3-4
The Earbuds can NOT be recharging	The  Button on the Charging Station is in off Position	Press the  Button on the front of Charging Station to start charging, The Red Indicator on the Earbud Charging Port will illuminate.
	The Charging contacts on the Charging Station and/or Is dirty	Clear it before charging
	The Earbud had not insert to the Charging Port firmly	Insert the Earbud into Charging Port firmly
No sound or sound weak	Volume level of paired Device is in low level	Rise the volume level of The paired device
Sound distortion	Volume level of the paired Device too high	Reduce the volume level of the paired device
BT not functioning	The external BT Device had NOT paired to the unit	Pair the external BT Device to the unit as page 4-7
	The external BT Device too far from the Earbud	Place the external BT Device close to the Earbud

GENERAL SPECIFICATIONS:

Power Source	Charging Station: Built-in DC --- 3.7V, 350mAh (1.295WH) rechargeable Li-ion Battery; Recharge by DC --- 5V through Micro USB Port
	Earbuds: Built-in DC --- 3.7V, 40 mAh (0.148 WH) rechargeable Li-ion Battery per each Earbud; Recharge by the Charging Station
Impedance of the Earbuds	2x20mW; 16 ohm
Audio Power	19 mW per channel (Total 38mW, RMS)
BT Version	5.0
BT Operation Distance	Up to 32 feet in open area

PACKAGE INCLUDES:

- 1 X User's Manual
- 1 X Charging Station
- 2 X Earbuds
- 1 X USB Connection Cable (For charging the Charging Station only)

SPECIFICATIONS AND ACCESSORIES ARE SUBJECT TO CHANGE WITHOUT NOTICE

LIMITED WARRANTY

Craig warrants this product to be free from manufacturing defects in material and workmanship under normal use for a period of 90 days from date of purchase. If service is required, please return the product to the store where it was purchased for exchange; or, pack the unit in the original packing material with all accessories if applicable, a copy of your sales receipt and a Cashier's check or Money Order for \$3.00 (to cover shipping and handling costs) payable to Craig Electronics Inc. For consumers in Canada, please make sure that the cashier check or money order is redeemable through a U.S. bank. Ship your product freight pre-paid. Your unit will be repaired, replaced or if the unit can not be repaired or replaced, a refund will be forwarded to you within four weeks of receipt of your unit. Please ship your unit to:

Craig Electronics Inc.
1160 NW 163 Drive
Miami, FL 33169

This warranty is void if the product has been: a) Used in a commercial application or rental. b) Damaged through misuse, negligence, or abuse. c) Modified or repaired by anyone other than an authorized Craig service center. d) Damaged because it is improperly connected to any other equipment.

Note: This warranty does not cover: a) Ordinary adjustments as outlined in the Owner's Manual which can be performed by the customer. b) Damage to equipment not properly connected to the product. c) Any cost incurred in shipping the product for repair. d) Damage to the product not used in the USA.

This warranty is not transferable and only applies to the original purchase. Any implied warranties, including the warranty of merchantability, are limited in duration to the period of this expressed warranty and no warranty whether expressed or implied shall apply to the product thereafter.

Under no circumstance shall Craig be liable for any loss or consequential damage arising out of the use of this product. This warranty gives specific legal rights. However, you may have other rights which may vary from state to state. Some states do not allow limitations on implied warranties or exclusion of consequential damage. Therefore, these restrictions may not apply to you.

To Obtain Service on your Product
email: service@craigelectronics.com