

Admission of antenna

Customer name: Kaneng Electronic

Product name: 2.4G on-board antenna

Customer data: ANC C11

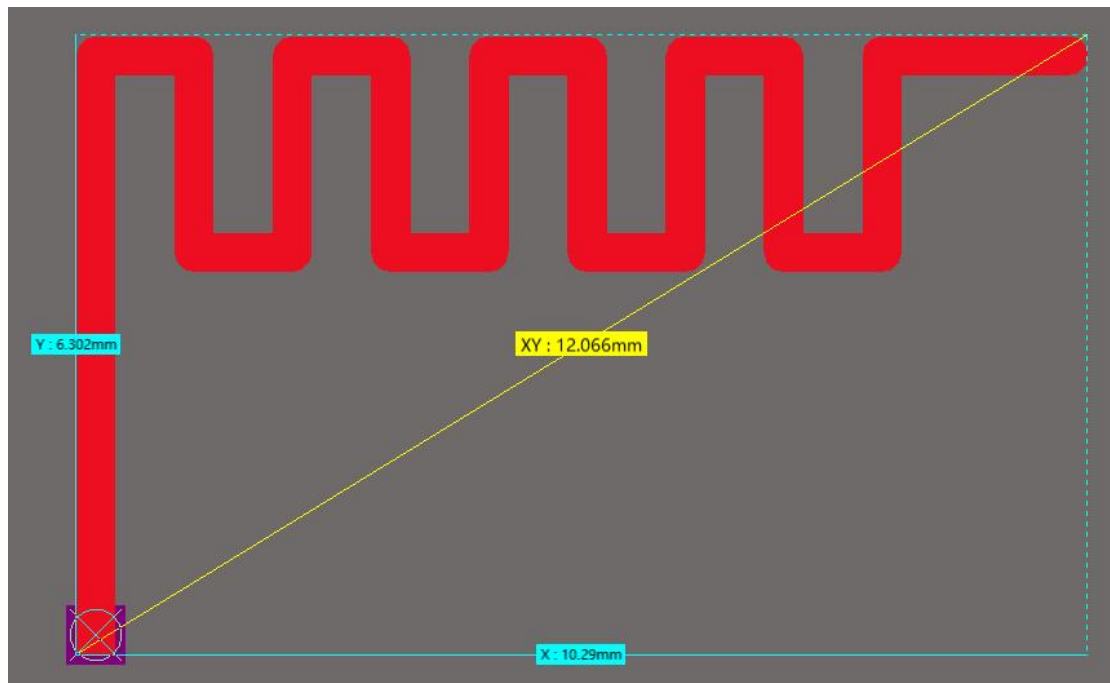
Producer:	Dongguan Chuanxin Microelectronics Technology Co.,Ltd
Address:	C1-2201, Area C, Guangda We valley, Songshan Lake, Dongguan
Tester:	Hongji Wireless Communications (Shenzhen) Co., Ltd
Address:	Guangming District, Shenzhen City, Guangdong Province, 12/f, Block B, Block 8, Huaqiang Venture Industrial Park
Date:	2023/12/19

1.Specifications

Main technical parameters of products

Frequency range (Mhz)	2400-2500
Characteristic impedance (Ω)	50
gain (dBi)	2.2
VSWR output voltage	≤ 2.0
polarization	Line polarization

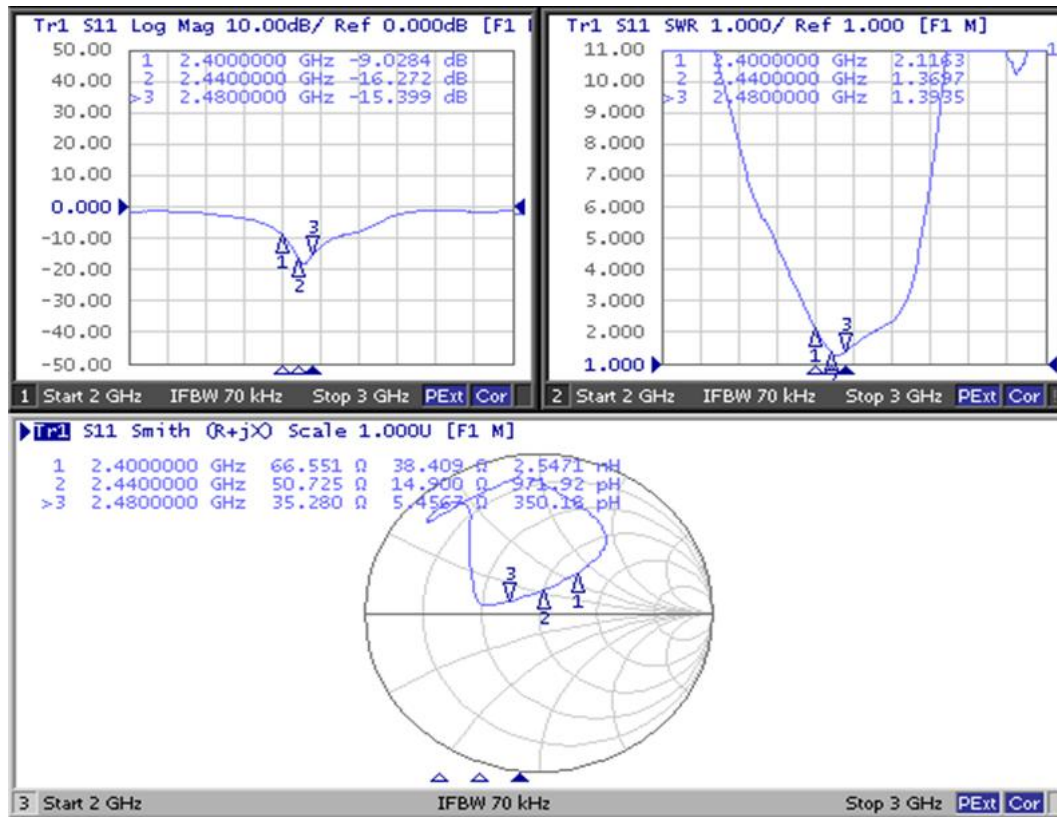
2.Size Map



size: 6.3mm*10.29mm

3. Test report (prototype test report only)

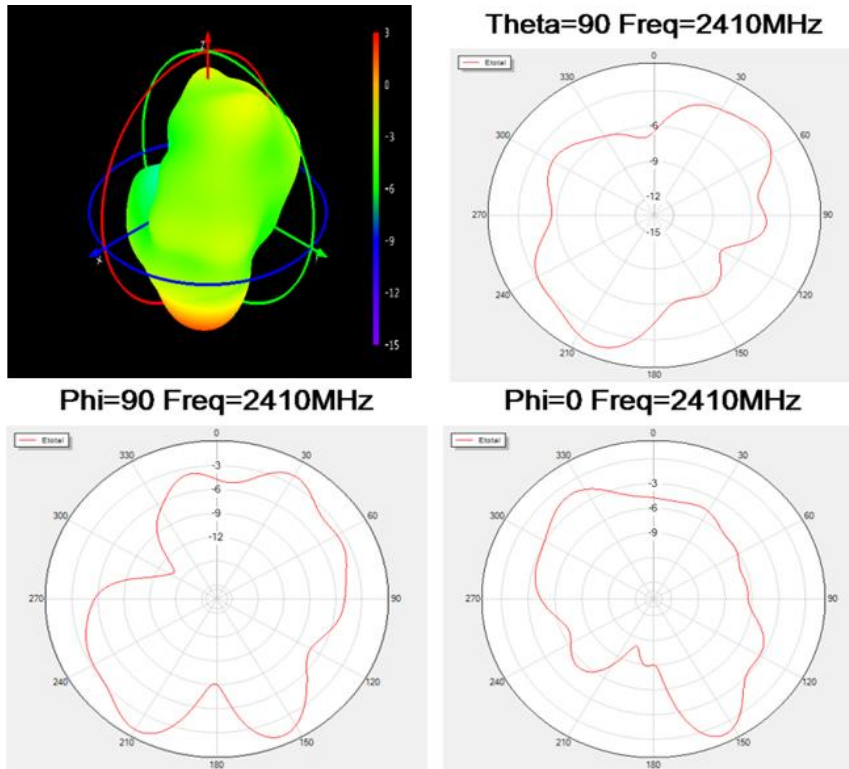
3.1: the network analyzer test report



3.2: darkroom 2D, 3D machine data

3.2.1 efficiency and gain

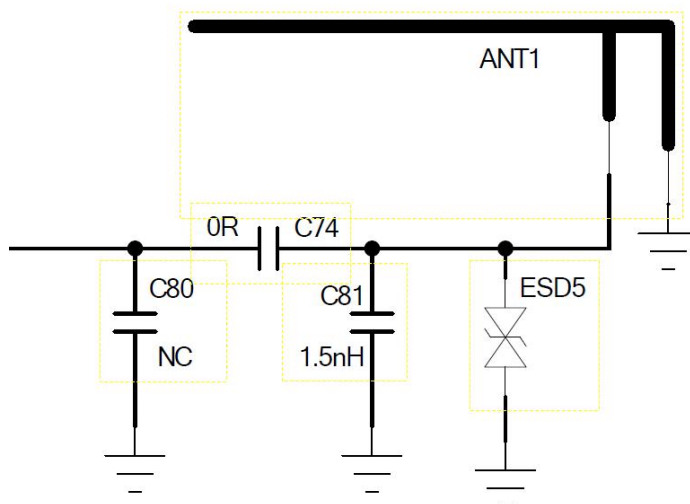
Frequency (MHz)	2400	2450	2480
Avg. Gain (dBi)	1.08	1.61	2.2
Efficiency (%)	40.92	49.77	52.43



3.2.2 active test report

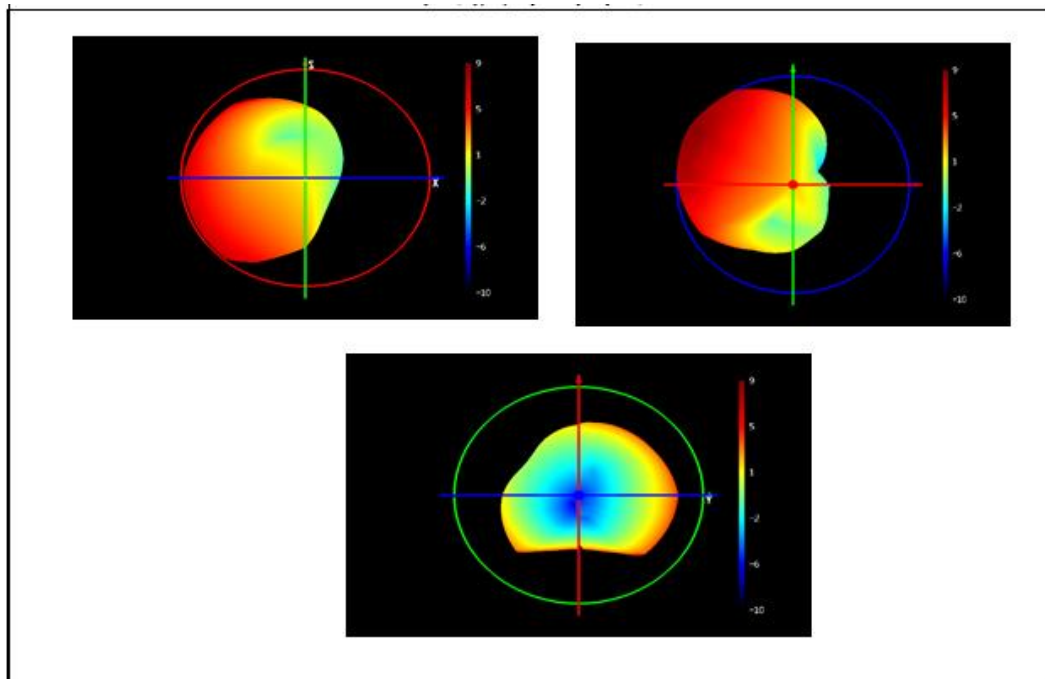
headphones	Head mold		free	
	TRP	TIS	TRP	TIS
channel	TRP	TIS	TRP	TIS
0	3.74	-88.01	4.62	-89.25
39	4.08	-88.57	5.15	-89.78
78	4.25	-88.98	6.29	-90.13

3.2.3 matching circuit



3.2.4 2D/3D field diagram

Head mold apple chart



Free apple chart

