

Air 1

Commander for wireless flash shooting
Canon/ Nikon

INSTRUCTION MANUAL



Changes or modifications not expressly approved by the party responsible for compliance could void the user's authority to operate the equipment.

This device complies with Part 15 of the FCC Rules. Operation is subject to the following two conditions: (1) this device may not cause harmful interference, and (2) this device must accept any interference received, including interference that may cause undesired operation.

Thank you for purchasing a Nissin product

Before using this commander unit, read this instruction manual and the instruction manuals of your camera and NAS Flash to familiarize yourself with the operations.

The commander Air 1 (type Canon/ Nikon) is a transmitter for wireless flash shooting. It can control up to 3 groups (21 units) of NAS flash (type Canon/ Nikon) that have a wireless multiple flash shooting function using NAS (radio transmission). Please noted that Air 1 Canon and Nikon are not usable with other branded vameras for TTL operation.

Compatible cameras

Please refer Nissin's compatibility chart shown at its home page for details and recent updates: <http://www.nissin-japan.com> or <http://www.nissindigital.com>



Nissin Air System (NAS) is designed for Nissin flash and Nissin commander.

2.4 GHz Transmission

Transmission distance, approx. 30m (98.4 ft.)

Metal/ Wire/ Wall/ another 2.4 GHz radio may reduce the NAS transmission distance

The Nissin commander attached to the camera is called master unit. When a NAS master is on, Di700A will automatically set to radio transmission mode. Otherwise the Di700A will automatically set to Optical Transmission.

SAFETY INSTRUCTIONS

These safety instructions refer to important information on how to use this product safely and properly. Please read the following instructions before using the product.

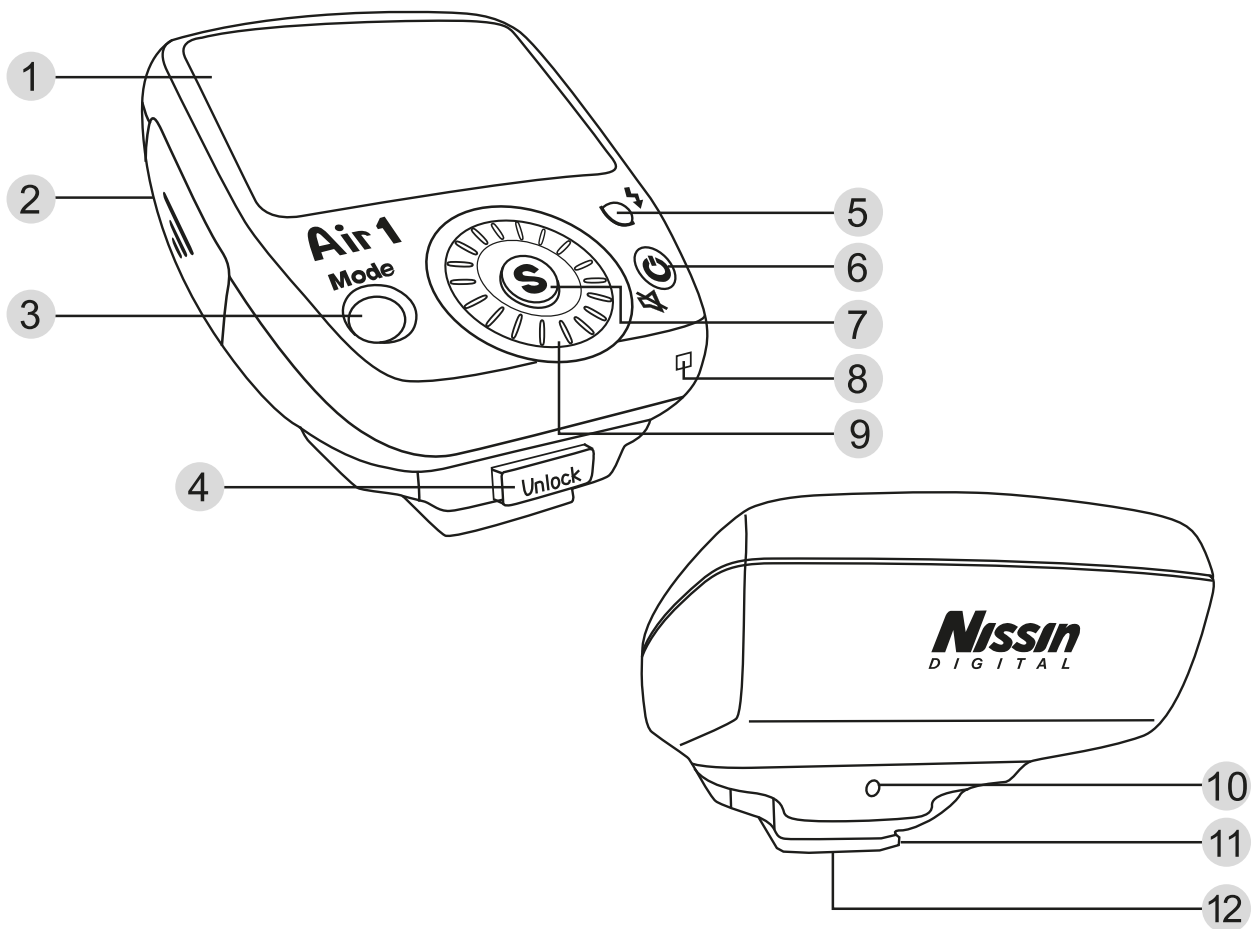


CAUTIONS

This sign refers to conditions which may cause damage or defect.

- Do not touch the inside parts from the opening when the unit was dropped or broken.
- Place the batteries correctly in position. Placing the batteries in wrong polarity may cause leakage, exothermic heat or explosion.
- Do not leave or store the flash unit in the temperature over 40°C/ 104°F, such as in the automobile.
- The flash unit is not water resistance. Keep the unit away from rain, snow and humidity.
- Do not use benzene, thinner or other alcoholic agents to clean the unit.
- Do not use this flash unit with cameras which are not recommended in the compatibility list at official website, otherwise it may damage the camera's circuitry.
- Remove the batteries when not in use for a longer period of time.
- Do not have a heavy impact to the flash unit, nor throw it onto a hard surface floor.
- When using the external power pack, read the safety instructions carefully and follow the operation manual.

Names of the Components



- 1 LED panel
- 2 Battery compartment door
- 3 Mode button
- 4 Unlock button
- 5 Pilot button (Test flash button)
- 6 On/ Off switch (Sound On/ Off button)
- 7 Select/ Set button
- 8 Strap hold
- 9 Select dial
- 10 AF-assis light
- 11 Mounting foot
- 12 Hotshoe contacts

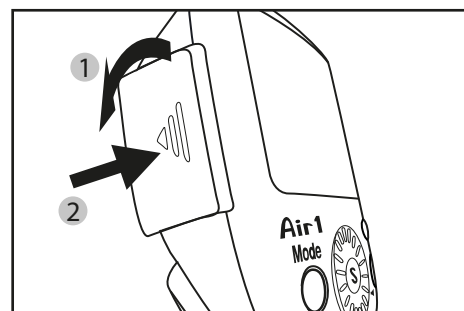
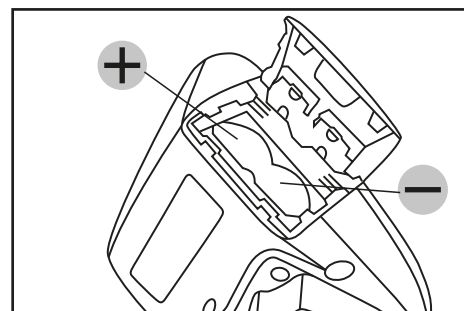
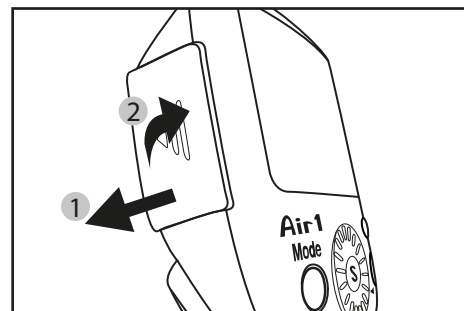
Basic Operation

Before starting wireless flash shooting.

Inserting batteries

Usable batteries - Alkaline batteries, Lithium batteries or NiMH batteries.

1. Open the battery compartment door and insert 2 x size AAA batteries as shown by the picture.
2. Make sure the + and - battery contacts are correctly inserted at the battery compartment.
3. Close the battery compartment door and slide it back in place.



NOTE

It is recommended to use all 2 batteries of the same brand and type, and replace them all at the same time.

Wrong insertion of each battery would not make electric contact.

Basic Operation

Air 1 has an energy saving power off function

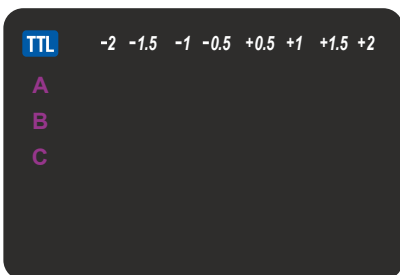
To save battery energy, the Air 1 display screen automatically turns off in about 2 mins after the setting job is terminated. While Air 1 is in the stand-by mode a Pilot button blinks every 2 seconds showing the Commander unit is in stand-by mode. To turn on Air 1 again, press Mode/S/ Pilot button on the Commander.

In case Air 1 is not in use for over 60 minutes, the unit is completely turned off.

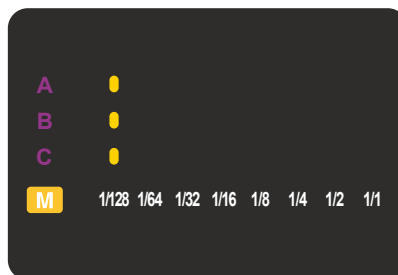
To turn on Air 1 again, take the first step of turning the Commander unit on.

Reset setup Option

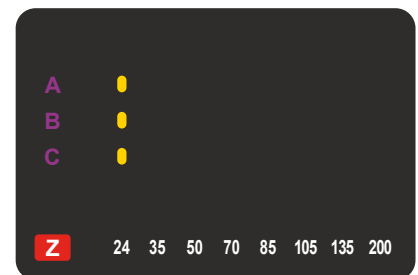
Press the Mode button for 5 seconds, all the setting will be resetted to the factory default.



TTL



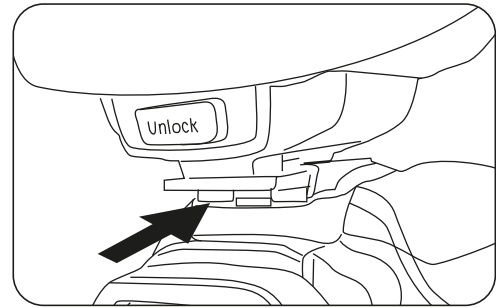
Maunal



Zoom

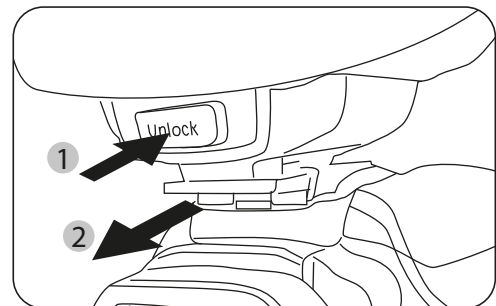
Mounting Air 1 on the camera

1. Slide the mounting foot of Air 1 into the hotshoe of the camera.
2. Make sure that the mounting foot will lock (with a “click”) when it has been inserted completely.



Removing Air 1 from the camera

- Press the unlock button and slide the mounting foot of Air 1 off the hotshoe of the camera.





Wireless Flash Shooting

Wireless Setting

To perform wireless shooting, set the Air 1 commander (master unit) and flash (slave unit) with the following procedure.



Binding before use.

Step 1: All the units are OFF

Step 2: Binding setting

Nissin Di700A Flash

1. Hold "Set" and ON/OFF button in 3 seconds

2. "Beep" sound ON

* Repeat this step if you have more than one flash

* Binding flash up to 21 pieces



Nissin Air 1 Commander

1. Hold "S" and ON/OFF button in 3 seconds

2. Pilot button Blinking in about 5 seconds

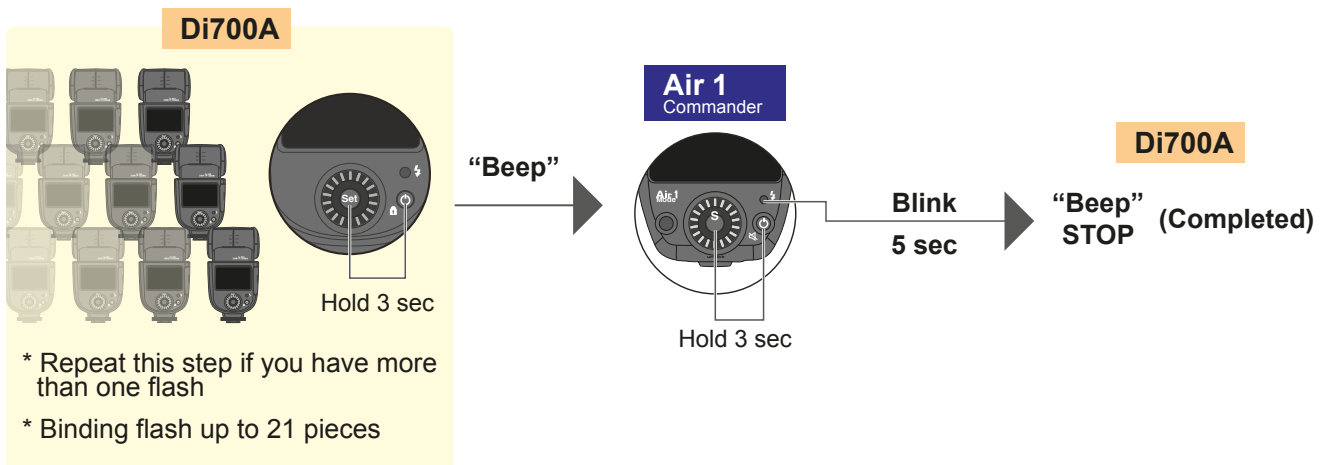


Nissin Di700A Flash

"Beep" sound STOP ----- **Binding setting completed**

**2~4s signal delay on commander*

**Do not operate until the binding process is finished*



NOTE

The binding setting is memorized and remains unchanged when power on/off.

For a test-flash, press the pilot button.



The transmitter attached to the camera is called the master unit, and a flash that is wirelessly controlled is called slave unit.

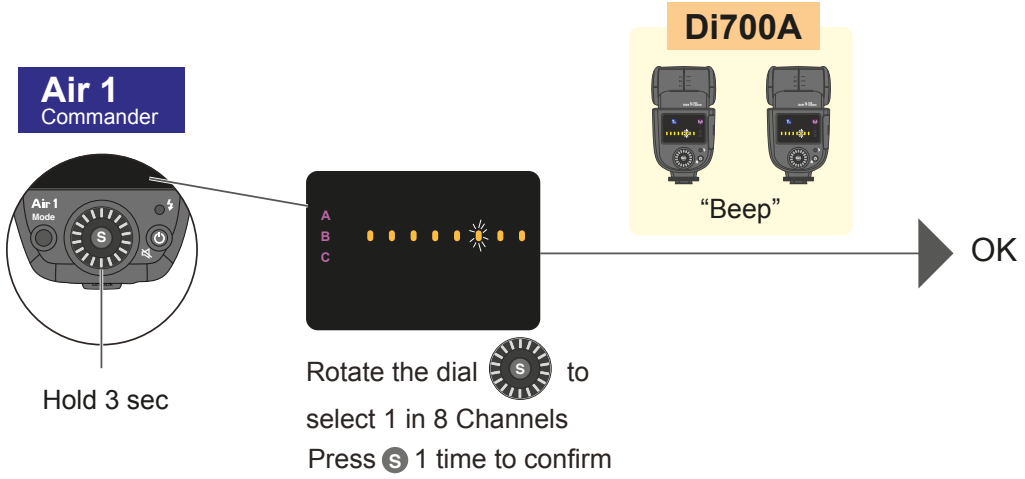
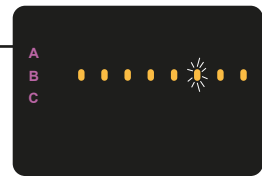
NAS Wireless Flash Shooting

Step 3: Channel setting

To avoid interference with wireless multiple flash system using radio transmission that are used by other photographers, or with other devices that use radio waves (wireless), you can change the transmission channel and wireless radio ID.

Nissin Air 1 Commander

1. Hold "S" button in 3 seconds
2. Display screen automatically change to
3. Rotate the dial  to select 1 in 8 Channels
4. Press  1 time to confirm
5. "Beep" sound in Nissin Di700A Flash
6. Channel setting completed



NAS Wireless Flash Shooting

Step 4: Desire group setting

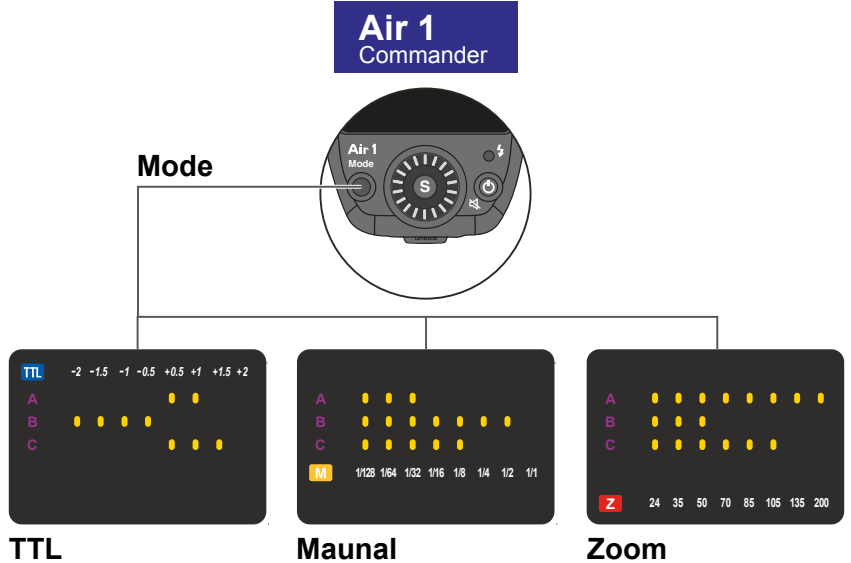
Di700A

Group A/B/C setting in Di700A - (TTL)

Group A

Group B

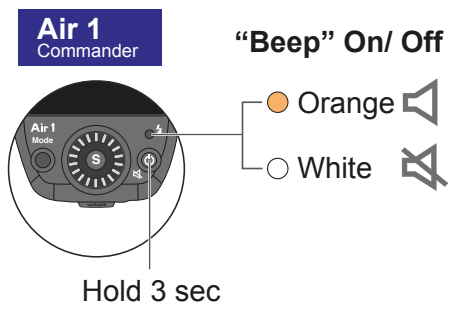
Group C




1. Press Mode to select the Flash mode **TTL** / **M** / **Z**
2. Press **S** to select the group **A** / **B** / **C** / **ABC**
3. To turn off the group by pressing **S** when the group is blinking
4. Rotate the dial **S** to adjust the EV compensation (TTL)/ Power output (Manual)/ Zoom position (Zoom) in each group.

Control the Flash "Beep" sound On/Off

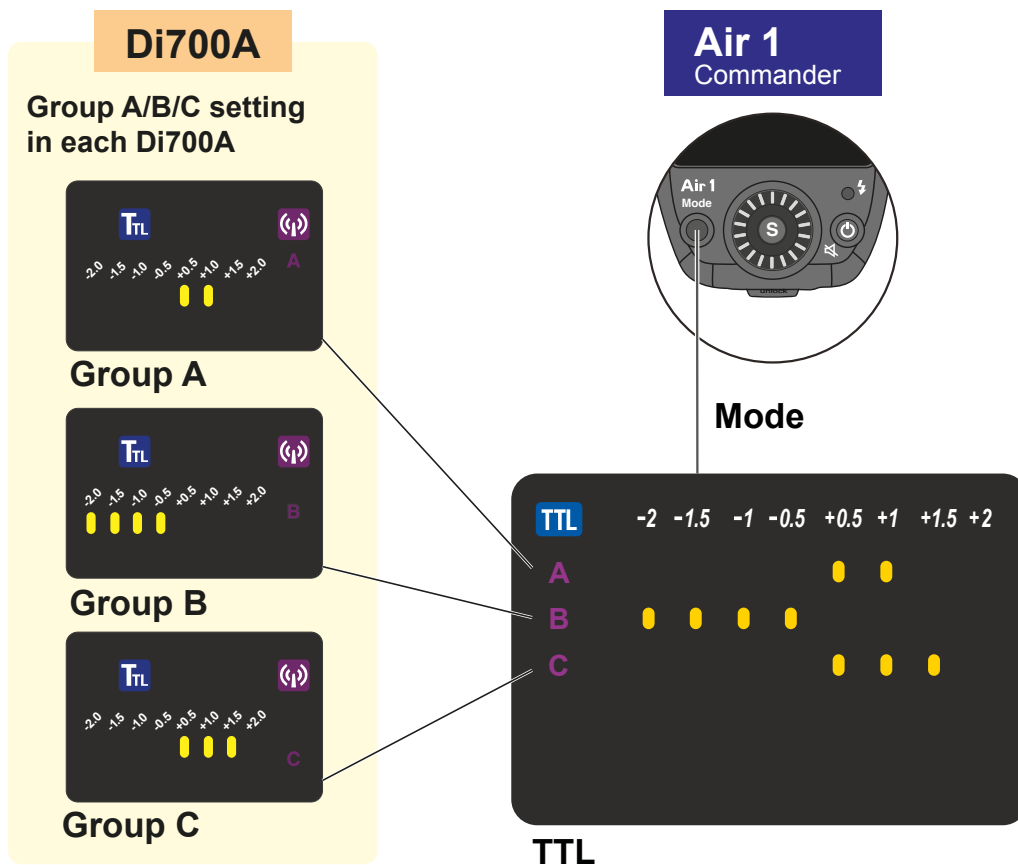
- Nissin Air 1 Commander**
1. Hold On/Off button in 3 seconds
 2. Color change on Pilot button
 Orange - sound On
 White - sound Off



Control TTL flash power compensation

1. Group A/B/C setting in each Di700A
2. Press Mode button to select the Flash mode **TTL** in Air 1
3. Press **S** to select the group **A** / **B** / **C** / **ABC**
4. Rotate the dial  to adjust the EV compensation (TTL)


TTL flash power compensation is provided in 9 steps by half Ev increments for -2.0, -1.5, -1.0, -0.5, 0, +0.5, +1.0, +1.5 and +2.0 Ev.

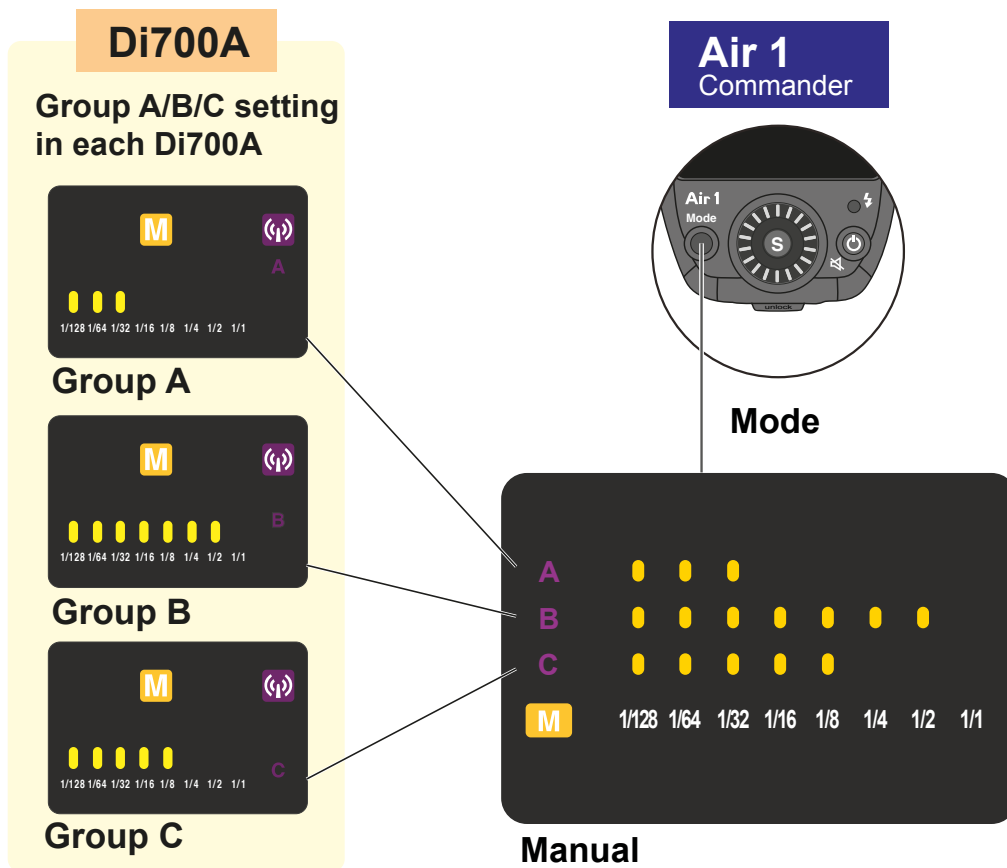


M

Manual Exposure Flash

Wireless control TTL flash power compensation


1. Group A/B/C setting in each Di700A
2. Press Mode to select the Flash mode **M** in Air 1
3. Press **S** to select the group **A** / **B** / **C** / **ABC**
4. Rotate the dial  to adjust the Power output (Manual)
from the left to right : 1/128 – 1/64 – 1/32 – 1/16 – 1/8 – 1/4 – 1/2 – 1/1 (Full) power.

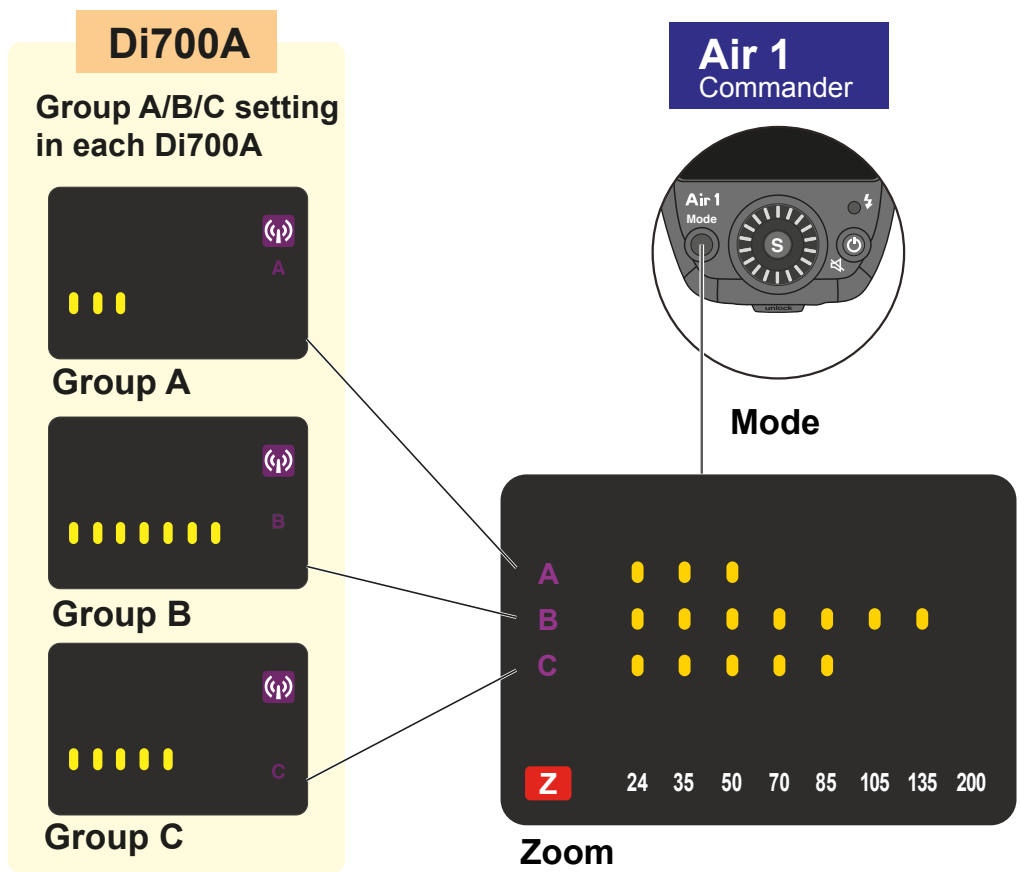


Z

Manual Zoom Flash

Wireless control zoom position

1. Group A/B/C setting in each Di700A
2. Press Mode to select the Flash mode **Z** in Air 1
3. Press **S** to select the group **A** / **B** / **C** / **ABC**
4. Rotate the dial  to adjust the zoom position (Zoom)
24mm/ 35mm/ 50mm/ 70mm/ 85mm/ 105mm/ 135mm/ 200mm





Wireless Flash Shooting

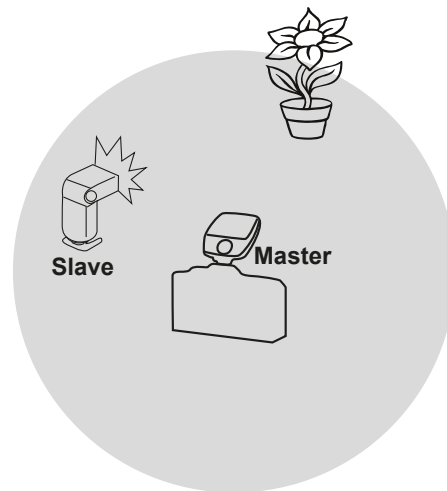
Transmission distance, approx. 30m (98.4 ft.)

When the flash is set to the Wireless mode, the power level will be controlled by the Master flash. The remote works on all channels and with group A/B/C.

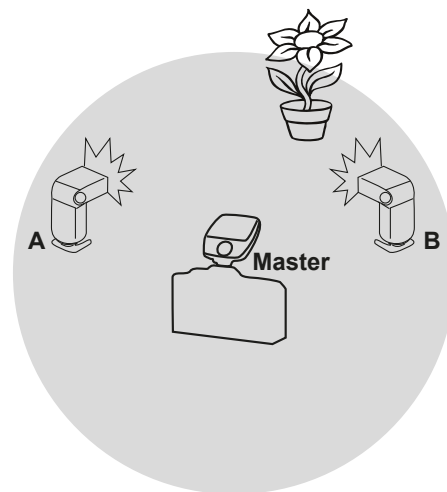
Set slave flash at any place and direct the flash head as you desire. Slave sensor may not respond to the Master (Commander) in a poor sensing situation such as extremely bright condition.

Use the flash stand included. Place Di700A on to the flash stand which can be placed either on a flat surface, or on the tripod by the screw.

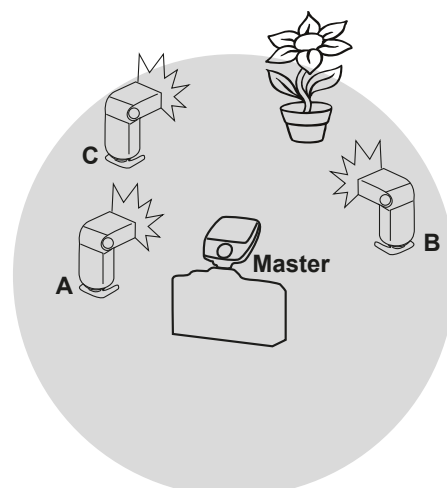
Autoflash shooting using One slave unit



Autoflash shooting using Two slave groups



Autoflash shooting using Three slave groups



Specifications

Type	for Canon and Nikon Digital SLR cameras
Groups	3 groups - A, B, C
Function mode	TTL, Manual and Manual zoom
Power Source	2 x AAA batteries
Voltage	2.4 - 3.2 V
Dimensions	65(L) x 60 (W) x 55 (H)mm
Weight	55g without batteries
Channel	8 Channels
Frequency	2.4 GHz
Max sync speed	1/8000 sec
Operating distance	Up to 30m
Continuous shooting speed	10 shoot/sec work with Di700A
Batteries life (2xAAA alkaline Batteries)	Approx 3000 shoot
Storage temp	-30 - 85°C

Warranty

In case of the following reason of the defect, it may void the warranty. Please refer the respective warranty condition for details which depends on the country of purchase.

1. The product is not used in accordance with the instruction of the owner's manual.
2. The product is repaired or modified by the one who is not an authorized repair service.
3. When the product is used with the cameras not applicable, lens, adaptors or such accessories produced by the third party.
4. Fault or defect caused by fire, earthquake, flood, public pollution and such natural accident.
5. In case that the product is stored in dust, moisture, extremely high temperature or such poor condition.
6. Scratch, blemish, crush or worn out by a violent use or treatment.
7. Guarantee card without name of place purchased or date of purchase stamped, or no guarantee card.

Nissin

Nissin Japan Ltd., Tokyo
<http://www.nissin-japan.com>

Nissin Marketing Ltd., Hong Kong
<http://www.nissindigital.com>