

DIECUT OUTLINE 1:1



COMPOSITE VIEW



MODEL: DLZ CREATOR
 APPLICANT: LOUD AUDIO, LLC.

THIS DEVICE COMPLIES WITH PART 15 OF THE FCC RULES (AND CONTAINS LICENSE-EXEMPT TRANSMITTER(S)/RECEIVER(S) THAT COMPLY WITH INNOVATION, SCIENCE AND ECONOMIC DEVELOPMENT CANADA'S LICENCE-EXEMPT RSS STANDARD(S)). OPERATION IS SUBJECT TO THE FOLLOWING TWO CONDITIONS: (1) THIS DEVICE MAY NOT CAUSE HARMFUL INTERFERENCE, AND (2) THIS DEVICE MUST ACCEPT ANY INTERFERENCE RECEIVED, INCLUDING INTERFERENCE THAT MAY CAUSE UNDESIRABLE OPERATION OF THE DEVICE.



FCC ID: 2AD4XEVOLVE
 IC: 12714A-EVOLVE

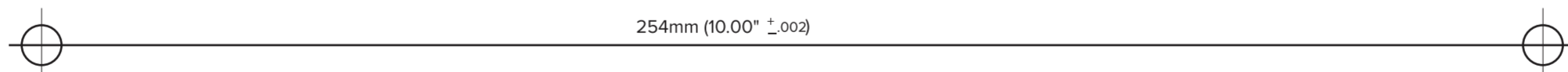
018-230058

DESIGNED IN WOODINVILLE, WA, USA - MANUFACTURED IN CHINA
 FABRIQUE EN CHINE - COPYRIGHT ©2023 LOUD AUDIO, LLC. ALL RIGHTS RESERVED. THE "RUNNING MAN" FIGURE IS A REGISTERED TRADEMARK OF LOUD AUDIO, LLC. - PATENTS PENDING.


1ST PASS
 Pantone Cool Gray 5C



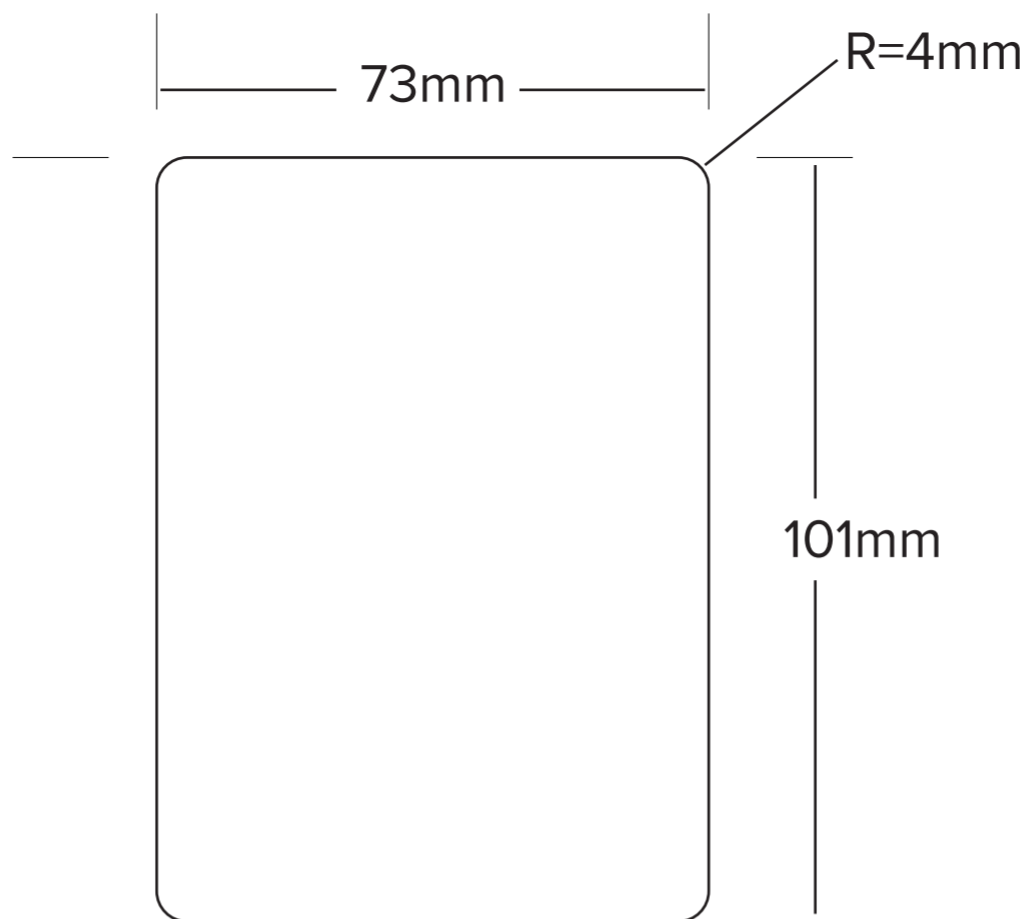
2ND PASS
 Pantone Process Black



254mm (10.00" ±.002)

UNLESS OTHERWISE SPECIFIED DIMENSIONS ARE IN MILLIMETERS	PART NO: 2054967	
	ARTWORK NO. AW2665	
DIMENSIONS AND TOLERANCES ARE IN ACCORDANCE WITH ASME Y14.5-1994	DRAWN BY: KENT S.	16220 WOOD-RED RD NE, WOODINVILLE, WA 98072 (425) 487-4333
MATERIAL: .25MM LEXAN 8835 ADHESIVE: 3M 200MP 467MP ONE SIDE ONLY	DATE: 03-02-2023	SERIAL CERTIFICATION LABEL DLZ CREATOR
COLOR/FINISH: SEE NOTES FOR PRINT COLORS	REV: E00	
DO NOT SCALE DRAWING	THE INFORMATION CONTAINED HEREIN IS PROPRIETARY AND CONFIDENTIAL PROPERTY OF LOUD TECHNOLOGIES INC, ALL RIGHTS RESERVED	
	SHEET: 1 OF 1	

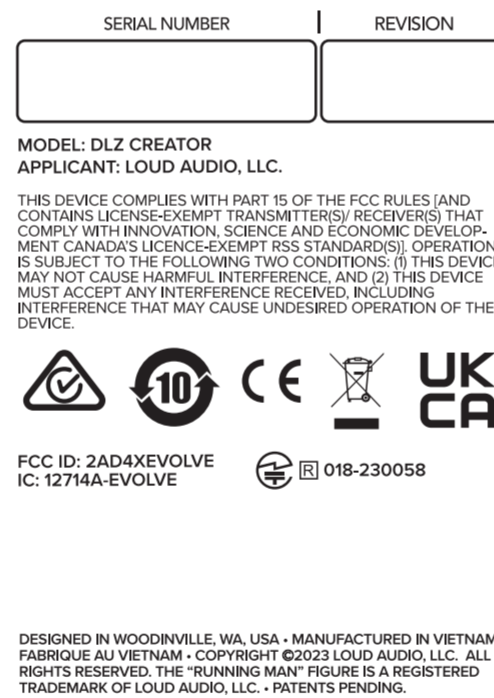
REVISIONS				
CHANGE#:	REV:	DESCRIPTION	DATE	REV. BY
ECOWD21906	A00	CREATE LABEL	03-04-2022	KENT S.
ECOWD22103	B00	INCREASE SIZE OF LABEL TO 73 X 101	06-23-2022	KENT S.
ECOWD22360	C00	UPDATE AGENCY LABELING	09-19-2022	KENT S.
ECOWD22390	D00	CHANGE COUNTRY OF MANUFACTURING TO CHINA	09-30-2022	KENT S.
ECOWD22708	E00	ADD MIC CERT NUMBER, UPDATE FCC STATEMENT	03-02-2023	KENT S.



DIECUT OUTLINE 1:1



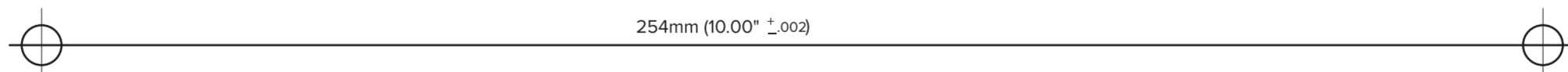
COMPOSITE VIEW




1ST PASS
Pantone Cool Gray 5C



2ND PASS
Pantone Process Black



254mm (10.00" \pm 0.02)

UNLESS OTHERWISE SPECIFIED DIMENSIONS ARE IN MILLIMETERS	PART NO: 2054967-VN	 16220 WOOD-RED RD NE, WOODINVILLE, WA 98072 (425) 487-4333 SERIAL CERTIFICATION LABEL VIETNAM DLZ CREATOR
	ARTWORK NO. AW2665-VN	
MATERIAL: .25MM LEXAN 8835 ADHESIVE: 3M 200MP 467MP ONE SIDE ONLY	DRAWN BY: KENT S.	
COLOR/FINISH: SEE NOTES FOR PRINT COLORS	DATE: 03-03-2023 REV: C00	
DO NOT SCALE DRAWING	THE INFORMATION CONTAINED HEREIN IS PROPRIETARY AND CONFIDENTIAL PROPERTY OF LOUD TECHNOLOGIES INC, ALL RIGHTS RESERVED	
	SHEET: 1 OF 1	

REVISIONS				
CHANGE#:	REV:	DESCRIPTION	DATE	REV. BY
ECOWD22447	A00	CREATE LABEL VIETNAM	10-21-2022	KENT S.
ECOWD22553	B00	CHANGE LABEL TO "MANUFACTURED IN VIETNAM"	11-29-2022	KENT S.
ECOWD22708	C00	ADD MIC CERT NUMBER, UPDATE FCC STATEMENT	03-02-2023	KENT S.

- Back of product

