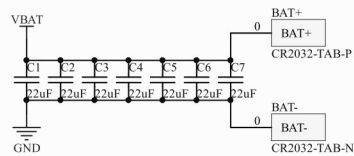


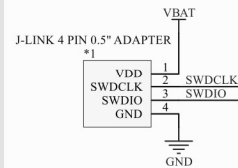
Battery Connector



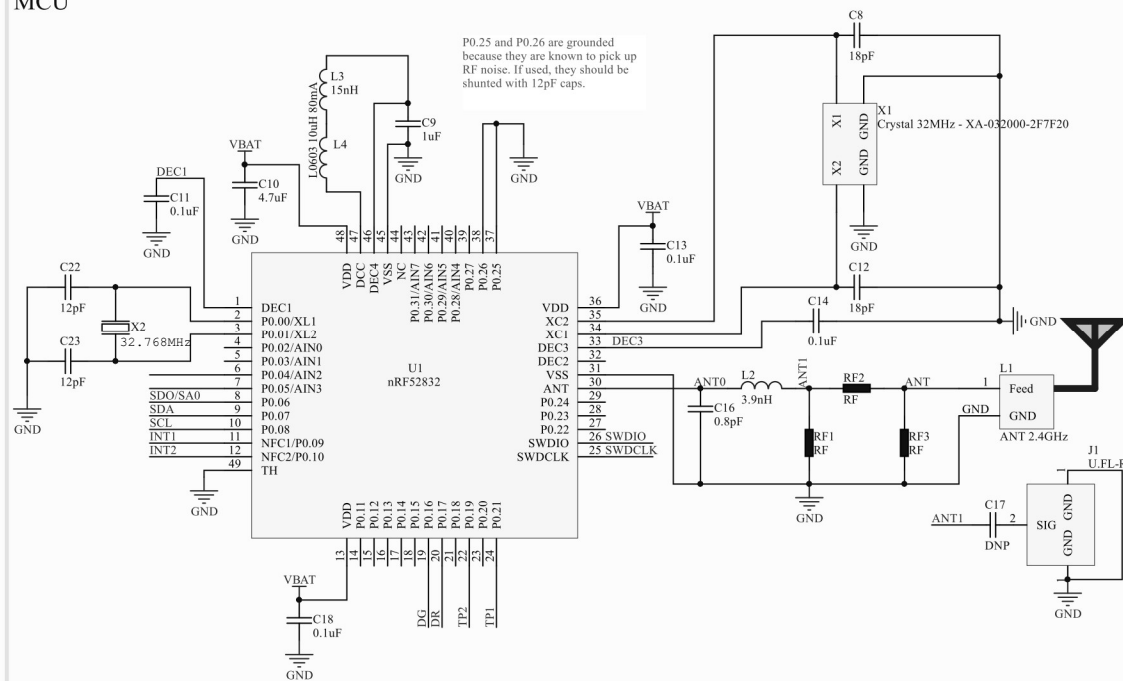
ESD



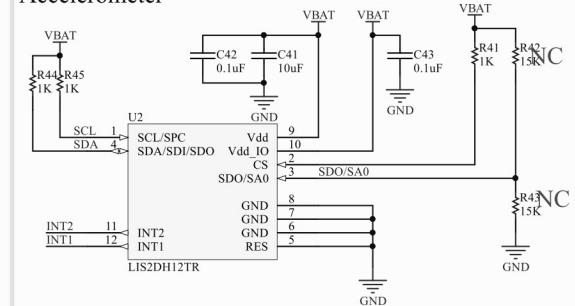
J-Link



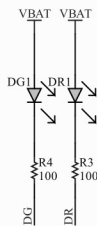
MCU



Accelerometer



Indication LED



Title		
Size	Number	Revision
A3		
Date:	2019/7/30	Sheet of
File:	C:\KTV\...SPEED_SENSOR_V13S_1.Sch	Drawn By: