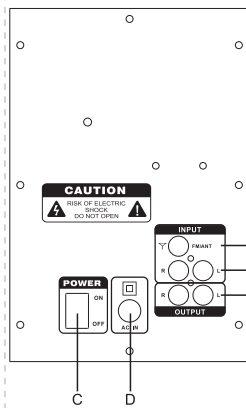


SUBWOOFER REAR SIDE DESCRIPTION



- A. STEREO INPUT
RCA Connectors to take input from external audio source
- B. STEREO OUTPUT
Front Left & Front Right
- C. POWER ON/OFF switch
- D. POWER INPUT
AC 110V 60Hz
- E. FM Antenna

UNIT OPERATION

- 1.) First plug the cable of the satellite into the output jack on the rear panel of the woofer. Switch on the unit, The power indicator with the red light in the front panel lights up, the unit enters into " Standby", press any button to enter into "AUX" mode.
- 2.) Press VOL+/VOL- to adjust the Volume.
- 3.) When inserted a USB card, it will play automatically. The power indicator with the red light flashes at the same time;
- 4.) When USB card is working, press the PLAY/PAUSE button to pause the music, press the PLAY/PAUSE button again to resume music.
- 5.) When USB is playing, press the MODE button on panel or remote to cycle through the FM, AUX, USB, SD, BLUETOOTH mode.

5

- 6.) When USB is working, press the PREV and NEXT button to choose the previous or the next song; Press Bass + / Bass - on the remote to adjust the Volume; Press Treble + / Treble - to adjust the Treble.
- 7.) When the USB is removed, it switches to the FM mode automatically.
- 8.) After stop using the unit, turn off the power switch, unplug the power cord.

Bluetooth Connection

Select BT mode by pressing "Mode" key, search for available BT in your device. Find "Sykik" and connect.

FEATURES

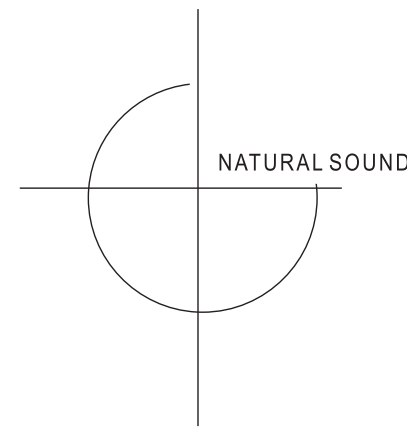
- Analog audio input.
- Support USB, SD/MMC card music player in Mp3 file format
- Bluetooth connect with any available devices.
- Full function remote control.
- Stereo FM radio.
- Built in 3 channel power amplifier.
- Compatible with MP3, MP4, PC, DVD, TV etc.

SPECIFICATIONS

Output Power : 22W + 10W x 2 RMS
 Frequency response : 40Hz~20KHz
 Impedance : Subwoofer 4Ohm, Satellite 4Ohm
 S/N Ratio : ≥80dB
 Isolation sensitivity : ≥45dB
 Distortion : ≤0.3% at 1W output @1KHz
 Subwoofer speaker 5"
 Satellite speaker 3"*2
 Power: AC 110V 60Hz

6

SUPER BASS 2.1CH COMPUTER SPEAKER



Warning:

This device complies with Part 15 of the FCC Rules. Operation is subject to the following two conditions: (1) this device may not cause harmful interference, and (2) this device must accept any interference received, including interference that may cause undesired operation, changes or modifications not expressly approved by the party responsible for compliance could void the user's authority to operate the equipment.

NOTE: This equipment has been tested and found to comply with the limits for a Class B digital device, pursuant to Part 15 of the FCC Rules. These limits are designed to provide reasonable protection against harmful interference in a residential installation. This equipment generates, uses and can radiate radio frequency energy and, if not installed and used in accordance with the instructions, may cause harmful interference to radio communications. However, there is no guarantee that interference will not occur in a particular installation. If this equipment does cause harmful interference to radio or television reception, which can be determined by turning the equipment off and on, the user is encouraged to try to correct the interference by one or more of the following measures:
 --- Reorient or relocate the receiving antenna.
 --- Increase the separation between the equipment and receiver.
 --- Connect the equipment into an outlet on a circuit different from that to which the receiver is connected.
 --- Consult the dealer or an experienced radio/TV technician for help.

SYKIK™

2.1 CH COMPUTER MULTIMEDIA SPEAKER

SPME51



DEAR CUSTOMER
 Congratulations on your purchase!
 Please read this manual carefully and keep it for future reference

SAFETY PRECAUTION



WARNING:
 To prevent fire or shock hazard, do not expose the unit to rain or moisture.
 *Note: This product is for indoor use only.



The lightning flash with arrowhead symbol, within an equilateral triangle, is intended to alert the user to the presence of uninsulated "dangerous voltage" within the product's enclosure that may be of sufficient magnitude to constitute a risk of electric shock.



The exclamation point within an equilateral triangle is intended to alert the user to the presence of important operating and maintenance (servicing) instructions in the literature accompanying the product.

IMPORTANT SAFETY INSTRUCTIONS

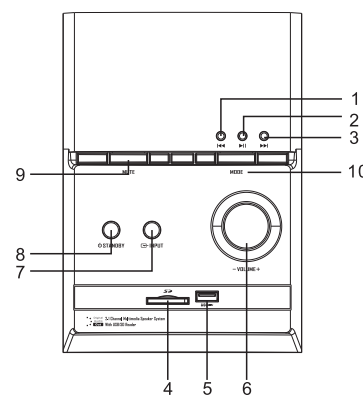
- 1) Read these instructions before using the product.
- 2) Read all warnings carefully.
- 3) Follow all instructions carefully.
- 4) Do not use this apparatus near water.
- 5) Clean only with dry cloth.
- 6) Do not block any ventilation openings. Install in accordance with the manufacturer's instructions.
- 7) Do not install the speaker system near any heat sources such as radiators, heat registers, stoves, or other apparatus (including amplifiers) that produce heat.
- 8) Protect the power cord from being walked on or pinched particularly at plug points and the point where they exit from the unit.
- 9) Only use attachments/accessories specified by the manufacturer.
- 10) Use only with the cart, stand, tripod, bracket, or table specified by the manufacturer, or sold with the unit. When a cart is used, be cautious while moving the cart/unit combination to avoid injury from tip-over.
- 11) Unplug this apparatus during lightning storms or when unused for long periods of time.
- 12) Refer all servicing to qualified service personnel. Servicing is required when the unit has been damaged in any way, such as power-supply cord or plug is damaged, liquid has been spilled or objects have fallen into the unit, the unit has been exposed to rain or moisture, does not operate normally, or has been dropped.

1

PACKING LIST

- 1. Subwoofer : 1 unit
- 2. Satellite Speakers : 2 units
- 3. Audio Cable : 1 unit
- 4. User Manual : 1 unit
- 5. Remote Control : 1 unit

DESCRIPTION OF THE SUBWOOFER CONTROL PANEL



- 1.Previous
- 2.Play/pause
- 3.Next
- 4.SD/MMC card input
- 5.USB input
- 6.Volume-Volume+ adjustment
- 7.Input
- 8.Standby
- 9.Mute
- 10.Mode

2

AC POWER

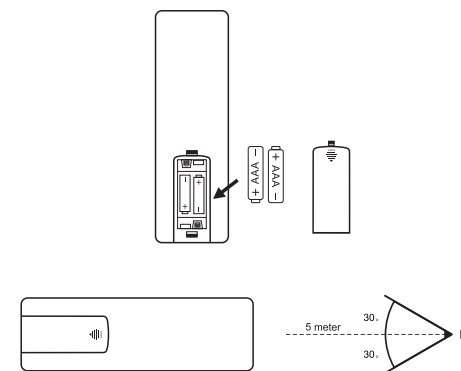
IMPORTANT NOTES

- Make sure the power supply is correct and never handle the power cord or its plug with wet hands when plugging into, or unplugging from an outlet.
- Ensure that the main power switch is in the "OFF" position before connecting the AC power cord to the power supply to avoid damage to the unit.
- A damaged power cord can easily cause an electric shock or fire hazard; Never use a power cord after it has been damaged.

BATTERY INSTALLATION

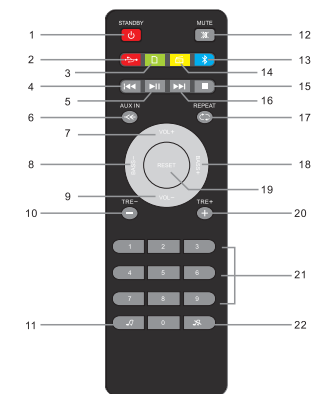
- 1) Open the battery case.
- 2) Insert two batteries without the polarity reversed.
- 3) Close the battery case.
- 4) Keep within 5 meter range, 30 degree angle while aiming at the unit.

Precautionary note:
 Remove the battery when the unit is not being used for a long period of time.



3

DESCRIPTION OF THE REMOTE CONTROL



- 1.STANDBY: Press this button to turn on/off the subwoofer
- 2.USB: USB audio input play
- 3.SD/MMC: SD/MMC audio input play
- 4.PREV: To select the previous song in USB / Memory card or to select previous channel in radio station
- 5.PLAY/PAUSE: To play / pause in USB / Memory card. Long press "PLAY / PAUSE" for 3 seconds to search and save channels automatically in radio station
- 6.AUX IN: Aux audio input play
- 7.VOL+: Increase volume
- 8.BASS-: Reduce the Bass volume
- 9.VOL-: Reduce volume
- 10.TRE-: Reduce the Treble volume
- 11.EQ MODE: To choose audio output sound field effect
- 12.MUTE: To mute the sound
- 13.Bluetooth: This button only functions when your speaker system has Bluetooth function
- 14.FM: FM radio input play
- 15.STOP: Stop USB or SD/MMC audio play
- 16.NEXT: To select the next song in USB / Memory card or to select next channel in radio station
- 17.REPEAT: Repeat an audio play
- 18.BASS+: Increase the Bass volume
- 19.RESET: Recover to default mode
- 20.TRE+: Increase the Treble volume
- 21.1-0: To choose 1-0 Numerical play
- 22.EQ OFF

4