

AUDIO REPUBLIC BLUETOOTH SPEAKER
ARBSX1

DEAR CUSTOMER:

Thank you to buy the product !
Prior to first use, please read the manual carefully.

Operation explanation:

SPECIFICATIONS

Output Power: 100W(RMS)
 Drive Units: 3" x2 satellite + 6.5" subwoofer
 Frequency Response: Satellites: 120Hz-20KHz
 Subwoofer:20Hz-170Hz
 Separation: ≥40 dB
 S/N: ≥70dB
 Distortion: ≤0.5%(1K, 1W)
 Power Supply: 120V~ 60Hz
 Dimensions: W221xD332xH594(mm)

Features:

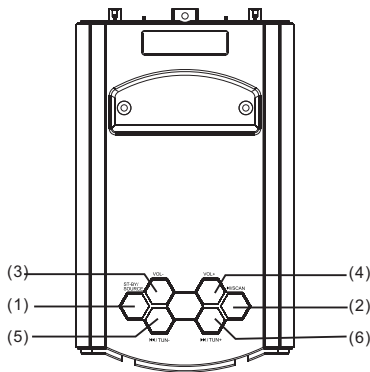
- Quality Mini-Hifi speaker system with built-in amplifier
- Full audio spectrum performances, ideal for your favorite entertainment from Mp3, Mp4 and digital playbacks
- Specially designed woofer cabinet for bass and resolution
- Comes with remote control and 3.5mm stereo connection

Package contents:

Subwoofer cabinet 1 pc
 Remote control 1 pc
 User manual 1 pc
 Audio input cord 1 pc
 FM ANT 1 pc

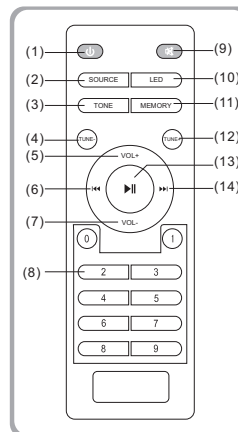
Front panel

1. ST-BY/ SOURCE
2. ▶/SCAN
3. VOL-
4. VOL+
5. ◀◀/TUN-
6. ▶▶/TUN+



1. ST-BY/SOURCE: Press to turn on speaker, long press into stand-by;short press Change the input mode .
2. ▶/SCAN: PLAY/PAUSE on the BT mode ; In FM mode auto-searching and saving the radio station.
3. VOL- : Volume down
4. VOL+ : Volume up.
5. ◀◀/TUN- : Press once to reduce the FM frequency 0.1M, long press to the semi-automatic search for radio. In BT mode, press " PREVIOUS " play previous song.
6. ▶▶/TUN+ : Press once to increase the FM frequency 0.1M, long press to the semi-automatic search for radio . In BT mode, press " NEXT " play next song.

How to use the remote control



1. ST-BY
2. SOURCE
3. TONE
4. TUNING-
5. VOL+
6. PREVIOUS
7. VOL-
8. 0~9
9. MUTE
10. LED effect
11. MEMORY
12. TUNING+
13. PLAY/PAUSE
14. NEXT

1. Press "ST-BY" LED showing "AU18",it is AUX mode playing state.
2. "MUTE" means to activate or deactivate mute.
3. "SOURCE"means you can choose AUX , FM , BT input mode, at the same time ,the LED will show "Au18"means AUX mode,"87.5"means FM mode, "Bl18"means BL mode.
4. "TONE"means you can choose "TREBLE" and "BASS" "VOL+/-"means you can increase or decrease volume of " TREBLE " or "BASS".
5. When enter into FM mode , press"MEMORY"the number on the LED will Blink . this means the machine is under save channel state . You can change the blinking number by pressing"NEXT"or "PREV",press"PLAY/PAUSE"you can save the channel into same number . It will enter into automatic search channel and automatic save channel when pressing "MEMORY"for 3-5 seconds (noted : the channel which you saved before will be deleted when you press "MEMORY"for 3-5 seconds.

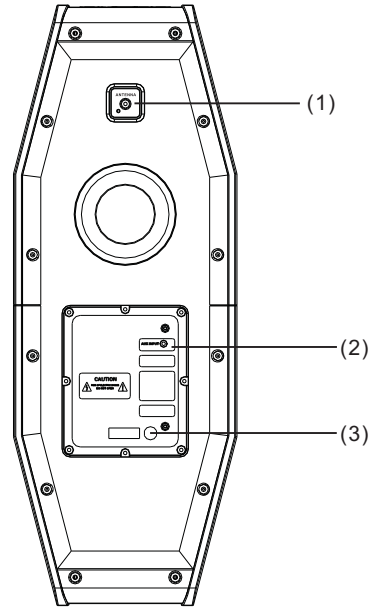
6. When entering into BT mode, "NEXT" means next song; "PREV" means previous song; "PLAY/PAUSE" means play/pause; In FM mode, you can pressing the number "0-9" on the remote control, select the radio station you prefer or pick the saved station by number directly.
7. VOL+/- means you can increase or decrease volume.
8. "TUNING-" means decrease the frequency of channel selection. Press "TUNING-" for a long time means decrease the frequency of channel selection continuously
9. "TUNING+" means increase the frequency of channel selection. Press "TUNING+" for a long time means increase the frequency of channel selection continuously.
10. "PLAY/PAUSE" means play/pause for BT.
11. "PREV" means previous song for BT.
12. "NEXT" means next song for BT.
13. Press "SOURCE" buttons on the remote to convert to Bluetooth input mode, LED display right bottom start to flashing (2 seconds) to search the Bluetooth device. Turn on your mobile Bluetooth device and search the device name "Audio Republic X1", paired them well. When you have successfully paired your mobile to the speaker system, the LED right bottom stop flashing. When start to play your mobile music, the LED flashed every one second. The functions as "PREVIOUS/NEXT", "PLAY/PAUSE", can operate via the front panel. On BL mode, when connecting with mobile, press "▶| " for 3 seconds, bluetooth function can be force-disconnected.
14. Press "LED" each time to change LED effect (LED1-LED6-LED7).



*if the remote control cannot function, it is because the battery of remote control has been used up. thank you.

NO.4

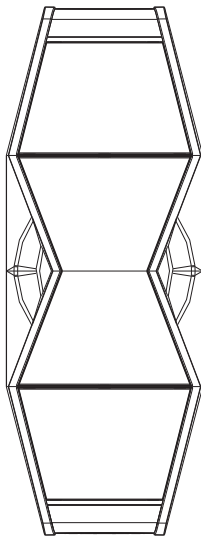
Rear panel



1. ANTENNA
2. AUX INPUT: Connect to sound sources such as computer, MP3, etc.
3. AC IN: AC Power cord

NO.5

System connection diagram



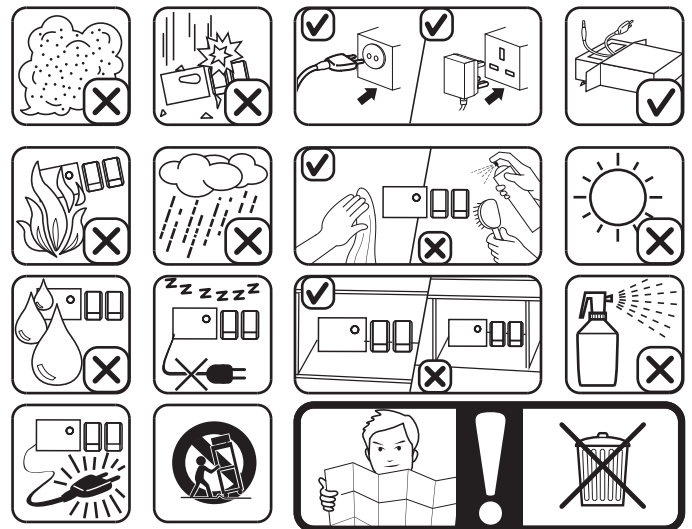
1. Connect the audio sources
Connect the 3.5 stereo cable to the input of the subwoofer, Connect the 3.5 stereo input jack into output of the audio sources, such as MP3, MP4, walkman, computer etc.
2. Power on the system, adjust the master volume to the suitable level.
Adjust volume to the suitable to meet your different requirement.



* Do not leave objects generating magnetism near the speakers.

NO.6

In use please pay attention to the following items:



NO.7

FCC STATEMENT

This product has been tested and found to comply with the limits for a Class B digital device, pursuant to Part 15 of the FCC Rules. These limits are designed to provide reasonable protection against harmful interference in a residential installation. This product generates, uses and can radiate radio frequency energy and, if not installed and used in accordance with the instructions, may cause harmful interference to radio communications. However, there is no guarantee that interference will not occur in a particular installation. If the product does cause harmful interference to radio or television reception, which can be determined by turning the equipment off and on, the user is encouraged to try to correct the interference by one or more of the following measures:

- Reorient or relocate the receiving antenna.
- Increase the separation between the product and receiver.
- Connect the product into an outlet on a circuit different from that to which the receiver is connected.
- Consult the dealer or an experienced radio/TV technician for help.

This device complies with Part 15 of the FCC Rules. Operation is subject to the following two conditions:

- (1) this device may not cause harmful interference, and
- (2) this device must accept any interference received, including interference that may cause undesired operation.

Warning: Changes or modifications not expressly approved by the party responsible for compliance could void the user's authority to operate the product.