



# **EtherHaul™ 500/600**

Gigabit Ethernet Wireless Solution

## **Installation Manual**



EH600-INST-05, Issue 3

**March 2018**

### **Trademarks**

Siklu, the Siklu logo, and EtherHaul are all trademarks of Siklu Communication Ltd.

All other product names and trademarks mentioned in this document are trademarks or registered trademarks of their respective companies.

### **Copyrights**

**Copyright © 2018 Siklu Communication Ltd. All rights reserved.**

No part of this publication may be reproduced or distributed in any form or by any means, or stored in a database or retrieval system, without the prior written consent of Siklu.

### **Disclaimers**

The information contained in this document is subject to change without notice.

Siklu assumes no responsibility for any errors that may appear. Siklu makes no warranties, expressed or implied, by operation of law or otherwise, relating to this document, the products or the computer software programs described herein.

This document was originally written in English. Please refer to the English language version for a full and accurate description of all products and services described herein.

## About this Document

This document is the Installation Manual for the Small-Form-Factor (SFF) EtherHaul-500 and EtherHaul-600 wireless Link.

It provides product overview and details the installation and initial setup.

For instructions how to use the product's features, refer to the "EtherHaul Operation, Administration and Maintenance Manual".

**Note:**



Features and functionality described in this document may be available for specific product models or starting from specific SW version.

Please review the individual product's release notes to verify if a specific feature is supported in the product you use.

## Applicable Products and Releases

- V-Band
  - EH-600T/TX, minimum SW release 7.4.0
  - EH-500T/TX, minimum SW release 7.4.0

## Audience

This document assumes a working knowledge of wireless backhaul platforms and their operating environments.

This document is intended for use by all persons who are involved in planning, installing, configuring, and using the EtherHaul system.

## Conventions

The following conventions are used in this document in order to make locating, reading, and using information easier.

### *Special Attention*

**Hint:**



Informs you of a helpful optional activity that may be performed at the current operating stage.

**Note:**



Provides important and useful information or describes an activity or situation that may or will interrupt normal operation of the EtherHaul system, one of its components, or the network.

**Caution:**



Describes an activity or situation that requires special attention or warning.

*Text Conventions*

*Document References*

Italicized text is used to reference sections or chapters in this document. In many cases, references use clickable hypertext links that enable immediate access to referenced objects.

**Command Input**

Monospace text is used to help delineate command line user input or text displayed in a command window.



## EC Declaration of Conformity

Declaring Organization: Siklu Communication Ltd.  
 43 Hasivim Street  
 Petach Tikva, Israel


Product name(s): EtherHaul™-500TX, EtherHaul™-600T/TX.

Product Model Number(s):

Part number	Description
EH-600T-ODU-PoE	EtherHaul-600T PoE ODU with Integrated ANT.
EH-600TX-ODU-PoE	EtherHaul-600TX PoE ODU with Integrated ANT.
EH-500TX-ODU-PoE	EtherHaul-500TX PoE ODU with Integrated ANT.

We, Siklu Communication Ltd., declare under our sole responsibility that the above products conforms to the essential requirements of the European Union Directives listed below together with the following standards to which the product's conformance has been verified (when applicable):

Subject	Directive	Harmonized Standards Granting Presumption of Conformity
Electro-Magnetic Compatibility	R&TTE Directive 1999/5/EC	EN 301 489-4 V2.2.1: 2015 and EN 301 489-1 V1.9.2:2011 and EN 301 489-17 V2.2.1: 2012
RF Compliance	RED 2014/53/EU	EN 302 217-2 V3.1.1 (2017-05)
Product Safety		EN 60950-1:2006+A11:2009+A1:2010+A12:2011 +A2:2013 ; IEC 60950-1 (2 <sup>nd</sup> Ed.)+A1:2009 +A2:2013 ; EN 60950-22 2006+A11:08 ; IEC 60950-22 2005 (1 <sup>st</sup> Ed.) + A11:08
Reduction of Hazardous Waste	2011/65/EU	EN 50581:2012

Signed:   
 Date: 30/7/17

Name: Eyal Assa  
 CEO

### FCC/IC Regulatory Statements

This equipment has been tested and found to comply with the limits for a Class B digital device, pursuant to Part 15 of the FCC Rules and IC RSS standards. These limits are designed to provide reasonable protection against harmful interference in a residential installation. This equipment generates uses and can radiate radio frequency energy and, if not installed and used in accordance with the instructions, may cause harmful interference to radio communications. However, there is no guarantee that interference will not occur in a particular installation. If this equipment does cause harmful interference to radio or television reception, which can be determined by turning the equipment off and on, the user is encouraged to try to correct the interference by one or more of the following measures:

- Reorient or relocate the receiving antenna.
- Increase the separation between the equipment and receiver.
- Connect the equipment into an outlet on a circuit different from that to which the receiver is connected.
- Consult the dealer or an experienced radio/TV technician for help.



**Note:** Changes or modifications to this equipment not expressly approved by Siklu LTD or the party responsible for compliance could void the user's authority to operate the equipment.



**Caution:** Outdoor units and antennas should be installed **ONLY** by experienced installation professionals who are familiar with local building and safety codes and, wherever applicable, are licensed by the appropriate government regulatory authorities. Failure to do so may void the product warranty and may expose the end user or the service provider to legal and financial liabilities. Siklu LTD and its resellers or distributors are not liable for injury, damage or violation of regulations associated with the installation of outdoor units or antennas.

**Prudence:** Les unités extérieures et les antennes doivent être installés que par des professionnels expérimentés d'installation qui sont familiers avec les norms locales et les codes de sécurité et, si applicable, sont agréées par les autorités gouvernementales de réglementation compétents. Ne pas le faire peut annuler la garantie du produit et peuvent exposer l'utilisateur final ou le fournisseur de services d'obligations juridiques et financiers. Revendeurs ou distributeurs de ces équipements ne sont pas responsables des blessures, des dommages ou violation des règlements liés à l'installation des unités extérieures ou des antennes. L'installateur doit configurer le niveau de puissance de sortie des antennes conformément aux réglementations nationales et le type d'antenne.

### Canada Statement

This device complies with Industry Canada RSS-210. Operation is subject to the following two conditions: (1) this device may not cause interference, and (2) this device must accept any interference, including interference that may cause undesired operation of the device.

Le présent appareil est conforme aux CNR d'Industrie Canada applicables aux appareils radio RSS-210. L'exploitation est autorisée aux deux conditions suivantes: (1) l'appareil ne doit pas produire de brouillage, et (2) l'utilisateur de l'appareil doit accepter tout brouillage radioélectrique subi, même si le brouillage est susceptible d'en compromettre le fonctionnement.



# TABLE OF CONTENTS

<b>1</b>	<b>Introduction to the EtherHaul System.....</b>	<b>12</b>
1.1	Main Features .....	13
1.2	Functional Description .....	15
1.3	Technical Specifications.....	16
1.4	Licensing .....	17
1.5	Management .....	18
<b>2</b>	<b>Installing the EtherHaul System .....</b>	<b>19</b>
2.1	Preparing the Site.....	20
2.1.1	Physical and Environmental Requirements.....	20
2.1.2	Cabling Requirements.....	21
2.2	EtherHaul Package Content.....	22
2.3	Unpacking the EtherHaul .....	22
2.4	Required Tools.....	22
2.5	Preparing for Installation.....	23
2.6	Mounting the EtherHaul .....	24
2.7	Connecting the Cables.....	25
2.7.1	Power Options .....	26
2.8	Grounding the EtherHaul .....	27
2.8.1	Preparing the Cables .....	28
2.9	System LEDs .....	29
2.10	Aligning the Antenna .....	29
2.10.1	Performing the Alignment .....	31
2.11	Link Up Verification .....	31
<b>3</b>	<b>Performing Basic Setup Using the Web-Based Management.....</b>	<b>32</b>
3.1	Connecting to the ODU Using the Web-Based Management .....	33
3.2	Main Page.....	34
3.3	General Configuration Commands .....	35
3.3.1	Apply .....	35
3.3.2	Save Configuration .....	35
3.3.3	Rollback .....	36
3.3.4	Reset .....	36
3.3.5	Copy To Remote .....	36
3.4	Quick Configuration Wizard .....	37
3.4.1	Quick Configuration: Step 1 – System .....	37
3.4.2	Quick Configuration: Step 2 – Radio .....	38

- 3.4.3 Quick Configuration: Step 3 – Eth Ports ..... 39
- 3.4.4 Quick Configuration: Step 4 – Network ..... 40
- 3.5 Radio Page..... 41
  - 3.5.1 Settings ..... 42
  - 3.5.2 Advanced Settings ..... 43
  - 3.5.3 Maintenance ..... 45
  - 3.5.4 Modulation Table ..... 46
  - 3.5.5 Spectrum Analyzer ..... 46
  - 3.5.6 Statistics ..... 47
- 3.6 Default Bridge Configuration ..... 47
- 4 Commissioning and Acceptance Procedure ..... 48**
  - 4.1 Installation Verification and Testing..... 48
    - 4.1.1 Physical Installation Verification ..... 48
    - 4.1.2 RF Link Test ..... 48
    - 4.1.3 Link Errors Test..... 48
    - 4.1.4 Ethernet Services Test ..... 49
    - 4.1.5 Management Verification ..... 49
    - 4.1.6 Recording ODU Configuration ..... 49
  - 4.2 EtherHaul Commissioning and Acceptance Form..... 49

## TABLE OF FIGURES

Figure 1-1 Hitless Adaptive Bandwidth, Coding and Modulation .....	15
Figure 1-2 V-Band Functional Block Diagram .....	16
Figure 2-1 EH-MK-SM Mounting Bracket .....	24
Figure 2-2 Connection Panel Details .....	25
Figure 2-3 PoE-DC RJ45 Adapter .....	26
Figure 2-4 Grounding Scheme .....	27
Figure 2-5 All-Weather Connecting Cable Shell Assembly .....	28
Figure 2-6 RSSI RJ45 Adapter .....	30
Figure 3-1 Launching the Web-Based Management .....	33
Figure 3-2 Entering Username and Password .....	33
Figure 3-3 Web-Based Management Main Page .....	33
Figure 3-4 Copy To-Remote icon .....	36
Figure 3-5 Quick Config Page: Step 1 - System.....	37
Figure 3-6 Quick Config Page: Step 2 - Radio.....	38
Figure 3-7 Quick Config Page: Step 3 – Eth Ports .....	39
Figure 3-8 Quick Config Page: Step 4 – Network .....	40
Figure 3-9 Radio Page: Settings .....	42
Figure 3-10 Radio Page: Advanced Settings .....	43
Figure 3-11 Radio Page: Maintenance .....	45
Figure 3-12 Radio Page: Modulation Table .....	46
Figure 3-13 Radio Page: Spectrum Analyzer .....	46

# 1 Introduction to the EtherHaul System

This chapter provides a brief overview of the EtherHaul product line.

The EtherHaul radio delivers carrier-grade wireless point-to-point gigabit Ethernet services utilizing the 57-71GHz unlicensed V-band and the light-licensed 71-76/81-86GHz E-band spectrum.

The EtherHaul is based on Siklu's revolutionary integrated-silicon technology, which results in a highly reliable, zero footprint, and low-cost radio.

The EtherHaul offers Gigabit throughput, MEF-compliant networking, 8 levels of QoS, enhanced Hitless Adaptive Bandwidth, Coding & Modulation for maximum spectral efficiency, and services availability. It supports network synchronization, advanced OAM&PM tools and ring protection optimized for both small cell and mobile backhaul. It features multiple GbE interfaces, including optical, supporting complex network topologies, such as daisy chain, ring, and mesh. The multiple ports enable also colocation installation and leveraging the infrastructure for additional fixed services delivery. The EtherHaul is fast, simple and inexpensive to deploy.

EtherHaul as the ideal solution for mobile backhaul and business services delivery features:

- Field proven technology
- Reduced TCO and fast ROI
- All-outdoor invisible footprint
  - Small and light
  - Quick and easy to install
- Spectral efficient
  - Wide range of frequencies
  - TDD modulation with seamless delay and jitter
  - Hitless Adaptive Bandwidth Coding and Modulation for high availability
- Advanced layer-2 features:
  - MEF-compliant services and QoS
  - VLAN & Provider Bridge with 16K jumbo frames support
    - Clear separation between multiple services with QoS
    - Enables QoS aware MPLS services delivery
  - SLA assurance
- Advanced AES encryption for secured street level deployments

Highly-scalable, the EtherHaul products are software-upgradable to support future Layer 2.5/3 networking and routing capabilities as networks evolve to flat-IP topologies.

The EtherHaul products features advanced adaptive modulation, bandwidth and coding - allowing operators to maintain, prioritize, and verify QoS in all weather conditions, while achieving maximum (up to 99.999%) link availability for prioritized services such as voice signaling and Sync.

Offering easy and low cost all-outdoor installation and a small form factor, the EtherHaul products are also environmentally-friendly - boasting a small system and antenna footprint with especially low power consumption.

The EtherHaul systems are High-capacity Gigabit Ethernet backhaul, with advanced networking capabilities, at the lowest TCO in the industry. EtherHaul enables mobile operators to profitably and reliably provide data intensive services. Provided by Siklu, the pioneer in silicon based mm-waves backhaul systems, EtherHaul systems are the perfect choice for future proof investment.

## 1.1 Main Features

Siklu's EtherHaul wireless backhaul radio link operates in the new V-band and E-band spectrum, which provides clear technological and economic advantages over the existing lower frequency bands. Taking advantage of the new spectrum, the EtherHaul enables easy migration to support Gigabit throughput, enabling operators to enhance bandwidth capacity on a "pay as you grow" basis. Supporting point-to-point, daisy-chain, ring, and mesh configurations, the EtherHaul system offers carrier class availability and services.

The following are some of the main features of the EtherHaul (availability of features depends on platform):

### **All-Outdoor Packet Radio**

- Operates in the unlicensed 57-71 GHz V-band
- Up to 1 Gbps throughput
- Asymmetric capacity configuration
- High gain narrow beam-width directional antenna
- Low latency

### **Highest Spectral Efficiency**

- 125 MHz, 250 MHz, 500 MHz channel bandwidth
- Advanced hitless/errorless Adaptive Bandwidth, Coding and Modulation (ABCM) for a large dynamic range
- Configurable center frequency across the entire band

**Carrier Ethernet Inside:**

- Integrated Gigabit Ethernet switch
- Advanced bandwidth-aware QoS capabilities
- MEF compliant services and QoS
- Advanced service management, OAM and SLA assurance support
- SyncE, IEEE 1588TC and optimized transport of IEEE 1588
- Ring, mesh and daisy chain topologies for carrier grade availability and resiliency
- Standard-based for seamless integration into existing networks and multi-vendor interoperability
- Multi-vendor interoperability approved

**Carrier Grade:**

- CLI, SNMP and web-based local and remote management
- Extremely high reliability with very high MTBF
- Designed for ultra-low MTTR without the need for antenna realignment

**Green Design:**

- Zero footprint, all-outdoor, extremely light weight
- low power consumption
- IEEE 802.3at+ compliant Power over Ethernet

**Quick and Easy Installation**

- Rapid and flexible deployment
- Precise antenna alignment
- Minimal site preparation

**Security**

- Advanced AES encryption and security
- Narrow and secure beam-width

**Adaptive Bandwidth, Coding and Modulation**

The EtherHaul family implements hitless/errorless adaptive bandwidth, coding and modulation adjustment to optimize the over-the-air transmission and prevent weather-related fading from disrupting traffic on the link. The EtherHaul can gain up to 21 dB in link budget by dynamically adapting: Modulation, FEC coding rates, and channel bandwidth maintaining the high priority traffic using quality of service advanced mechanism and dropping the traffic according to the QoS priority defined by the user.

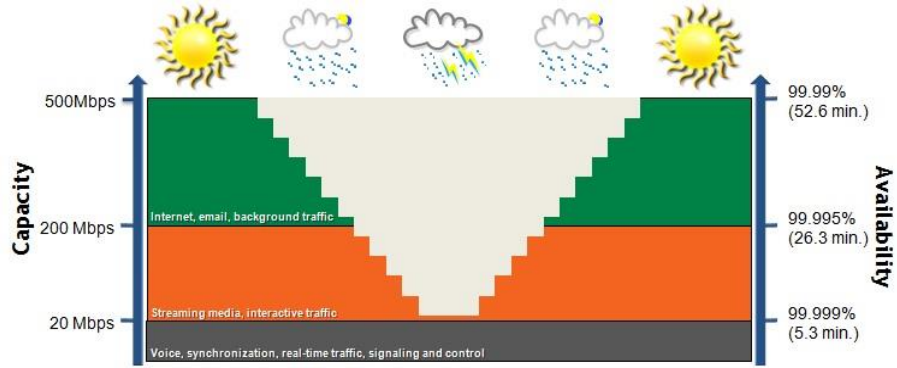


Figure 1-1 Hitless Adaptive Bandwidth, Coding and Modulation

## 1.2 Functional Description

The EtherHaul is an all-outdoor system comprised of the following functional blocks:

- RFIC: Siklu’s integrated Silicon Germanium (SiGe) transceiver operating at 57-71GHz.
- Modem/Baseband ASIC: Siklu’s modem/baseband ASIC includes the modem, FEC engines, and Synchronous Ethernet support.
- Network Processor: the networking engine is the heart of the high speed bridge/router function. The engine receives packets from Ethernet interfaces the modem and CPU. It is responsible for proper forwarding between these all interfaces.
- Interfaces: The network interface consists of 3 integrated 100/1000 Ethernet ports.
- Host processor (CPU) the host processor controls the system responsible for the control plane, and the antenna alignment.
- Antenna: Siklu’s self-designed 16cm antenna.

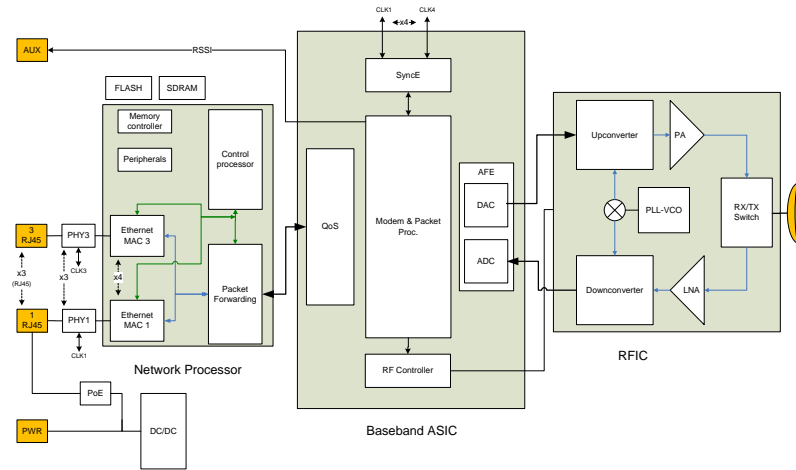


Figure 1-2 V-Band Functional Block Diagram

### 1.3 Technical Specifications

For detailed technical specifications please refer to the datasheet.  
 For detailed supported features list please refer to the product’s release notes.

V-Band	
Technology and frequency	<ul style="list-style-type: none"> <li>TDD, 57-71GHz</li> </ul>
Modulation	<ul style="list-style-type: none"> <li>QPSK/QAM16/QAM64</li> </ul>
Adaptive modulation	<ul style="list-style-type: none"> <li>Hitless adaptive bandwidth, coding and modulation, boosting system gain by 25dB</li> </ul>
Over-the-air throughput	<ul style="list-style-type: none"> <li>Up to 1000Mbps aggregated (with asymmetric downlink/uplink rate support)</li> </ul>
Typical link distance	<ul style="list-style-type: none"> <li>Up to 1000m</li> </ul>
Interfaces	<ul style="list-style-type: none"> <li>3x100/1000 base-T</li> </ul>
Antenna	<ul style="list-style-type: none"> <li>Integrated, 36dBi min. typical 37dBi</li> </ul>
Power options	<ul style="list-style-type: none"> <li>PoE+ (IEEE 802.3at)</li> <li>2x PSE Outputs – total 53W on Eth2 and Eth3: 2 x 26W or 40W+13W</li> </ul>
Ethernet features	<ul style="list-style-type: none"> <li>VLAN (IEEE 802.1q) and VLAN stacking (Q-in-Q, IEEE 802.1ad Provider Bridge)</li> <li>IEEE 802.1d Transparent Bridging</li> <li>Advanced QoS &amp; Traffic management- 802.1p, DSCP &amp; MPLS EXP                             <ul style="list-style-type: none"> <li>Scheduling, Shaping, Policing</li> </ul> </li> <li>MEF 9,14 and 21 compliant</li> <li>Ethernet OAM and CFM (IEEE 802.1ag / ITU-T Y.1731 / IEEE 802.3ah)</li> </ul>



	<ul style="list-style-type: none"> <li>• Ethernet Ring Protection (ITU-T G.8032)</li> <li>• MAC learning</li> <li>• Link state propagation</li> <li>• Jumbo frames</li> </ul>
Synchronization	<ul style="list-style-type: none"> <li>• IEEE 1588 TC</li> <li>• Synchronous Ethernet ITU-T G.8261/8262/8264</li> </ul>
Network topologies	<ul style="list-style-type: none"> <li>• Ring, daisy-chain and mesh</li> </ul>
Encryption	<ul style="list-style-type: none"> <li>• AES 128-bit and 256-bit</li> </ul>
Management	<ul style="list-style-type: none"> <li>• In-band, out-of-band, embedded CLI, web GUI, SNMPv2/3</li> </ul>
System modes	<ul style="list-style-type: none"> <li>• Adaptive modulation</li> <li>• Symmetrical uplink/downlink ratio or Asymmetrical</li> <li>• Alignment</li> </ul>
Environmental	<ul style="list-style-type: none"> <li>• Operating temperature: -45° ÷ +50°C</li> <li>• Ingress protection rating: IP67</li> </ul>
Regulatory	<ul style="list-style-type: none"> <li>• ETSI EN 302 217-3</li> <li>• UK IR 2078 &amp; IR 2000</li> <li>• USA FCC Part 15.255</li> <li>• CE marked, EMC, safety</li> </ul>
Dimensions	<ul style="list-style-type: none"> <li>• ODU+ Antenna (H x W x D) - 16 cm x 16 cm x 8 cm</li> </ul>
Weight	<ul style="list-style-type: none"> <li>• ODU + antenna: 1.8 kg</li> </ul>

## 1.4 Licensing

The EtherHaul family provides for easy migration to support Gigabit throughput, enabling operators to enhance bandwidth capacity on a “pay as you grow” basis as well as adding features and capabilities according to their networks evolutions. You can order the following EtherHaul software (capacity steps and feature availability depend on your platform):

- Data rates
- Layer 2 networking capabilities – OAM and Resiliency
- Synchronization – Synchronous Ethernet (ITU-T G.8261) and IEE-1588TC
- Encryption
- PSE (PoE Out)
- ExtendMM – built-in backup using parallel MW or Sub-6GHz link

Vlan configuration and Provider-Bridge settings capabilities are enabled by default and do not require a license.

The software licenses are serial number dependent.

## **1.5 Management**

You can manage an EtherHaul system using a Web-Based Element Management System (Web EMS) or a Command Line Interface (CLI). The CLI is compatible with SNMP.

Advanced network features must be managed using the CLI.

The EtherHaul system features a wide range of built-in indicators and diagnostic tools for advanced OAM functionality. The system is designed to enable quick evaluation, identification, and resolution of operating faults.

## 2 Installing the EtherHaul System

This chapter describes how to install and perform the basic setup for EtherHaul outdoor unit (ODU) in an EtherHaul wireless network, including:

- Preparing the Site
- EtherHaul Package Content
- Unpacking the EtherHaul
- Required Tools
- Preparing for Installation
- Mounting the EtherHaul
- Connecting the Cables
- System LEDs
- Aligning the Antenna
- Link Up Verification

The installation of the EtherHaul system is followed by initial system setup that will be described in the next chapter.

The installation and maintenance of the EtherHaul link should only be done by service personnel who are properly trained and certified to carry out such activities.

*L'installation et l'entretien de la liaison EtherHaul ne doivent être effectués par du personnel de service qui sont formés et accrédités pour mener à bien ces activités.*

**Caution:**



It is the responsibility of the installer to insure that when using the outdoor antenna kits in the United States (or where FCC rules apply), only those antennas certified with the product are used. The use of any antenna other than those certified with the product is expressly forbidden in accordance to FCC rules CFR47 part 15.204.

**Avvertissement:**

*Il est de la responsabilité de l'installateur de s'assurer que lorsque vous utilisez les kits d'antennes extérieures, seules les antennes certifiées avec le produit sont utilisés. L'utilisation d'une antenne autre que ceux qui sont certifiés avec le produit est expressément interdite par la réglementation FCC partie 47 CFR 15.204 et IC normes RSS.*

Minimum safe distance from antenna while radiating is 89cm (according to calculation done based on "Environmental evaluation and exposure limit according to FCC CFR 47part 1, 1.1307, 1.1310; RSS-102, Safety Code6).

Distance de sécurité minimum de l'antenne tout en rayonnant est 89cm (selon le calcul fait sur la base de "l'évaluation environnementale et la limite d'exposition selon FCC CFR 47part 1, 1,1307, 1,1310, RSS-102, CODE6 sécurité).

## 2.1 Preparing the Site

Carefully select and prepare each EtherHaul ODU site to make device installation and configuration as simple and trouble-free as possible. During site selection and preparation, always consider the long-term needs of both your network and your applications.

### 2.1.1 Physical and Environmental Requirements

Each EtherHaul ODU site should adhere to the following requirements:

- There must be a clear, unobstructed line-of-sight between ODU.
- The EtherHaul ODU should be mounted on a fixed, stable, permanent structure. A reinforced steel mounting pole is required, with a diameter measuring from 2-4 inches (recommended). Note the radio can be mounted on poles from 1.5-12 inches using the provided steel worm-clamps.

**Caution:**



Do not mount the EtherHaul device on a structure that is temporary or easily moved. Doing so may result in poor service or equipment damage.

- You must mount the EtherHaul ODU in a site that is easily accessible to authorized personnel, and only authorized personnel.
- Operating temperature: between -45° and +55°C.
- Relative humidity: 0 to 100%.
- Maximum altitude: 4,500m.
- Ingress Protection rating: IP67.

## 2.1.2 Cabling Requirements

- Install the EtherHaul ODU where network connections and optional power cabling are ready for operation and easily accessible.
- All cabling connected to the ODU should be outdoor-grade, with UV protection.
- PoE input – Connect Ethernet cable to Eth1
- PSE Output – The voltage output at the PSE port is following the voltage at the PoE input port. The cable length from the PSE port (ETH#2, ETH#3) to the powered device (PD) should not exceed 40 meter, even if the PSE option is disabled.
- You should use shielded outdoor Cat5e cables terminated with metallic RJ45 connectors.
- In order to protect indoor equipment, you must install surge protection circuits on all copper cables on their entrance to the building.
- Install the EtherHaul ODU in a location where proper electrical outdoor grounding is readily available. Typically, the grounding connection is attached directly to the mounting pole. If not already present, then suitable structure-to-earth grounding connections must be created before installation. Ground the ODU using a minimum quantity of 16AWG grounding cable or according to local electrical code.

**Caution:** Improper electrical grounding can result in excessive electromagnetic interference or electrical discharge.



Siklu will not be held responsible for any malfunction or damage in the event that the ODU is not properly grounded.

## 2.2 EtherHaul Package Content

An EtherHaul link consists of two ODUs and two mounting assemblies.

The EtherHaul packages include the following components:

Package	Description	Quantity
EtherHaul ODU		
	EtherHaul ODU (integrated antenna)	1
	Connecting cable All-Weather shells	3
	Unit grounding cable (90 cm)	1
	Alignment RSSI adapter cable for DVM	1
EtherHaul mounting assembly		
	EtherHaul mounting assembly	1
	Steel Worm Clamps	2
	7mm Hex Bolts	4

## 2.3 Unpacking the EtherHaul

The EtherHaul package content should be examined carefully before installation.

When you unpack the components of the EtherHaul, it is important to use care so as to avoid damaging or scratching the antenna radome:

- Keep the plastic antenna protective cover while handling the ODU. It protects the antenna radome.

## 2.4 Required Tools

Ensure that you have the following tools with you when performing an EtherHaul installation:

- Standard handheld digital voltage meter (DVM) with probes
- Philips screwdriver, medium size head for grounding connection
- Flat-head screwdriver, medium size (5mm) head for fastening the worm-clamp that holds the mounting brackets

- 7mm Hex socket driver
- 7mm Hex flat open-end wrench
- Cable ties (for securing network and optional power cables)
- Cutter
- Cable labeling

## 2.5 Preparing for Installation

The expected receive signal strength should be calculated prior to installing the link for each antenna ODU (read from the DVM) prior to installation, based on the network link budget.

Calculating the expected RSSI:

$$\text{RSSI} = P_{\text{tx}} + G_{\text{ant1}} - \text{LFS} - \text{Att}_{\text{atm}} + G_{\text{ant2}}$$

Where:

- $P_{\text{tx}}$  – ODU's Tx Power (typically +5dBm)
- $G_{\text{ant1}}$  – Gain of antenna 1 (typically 37dBi)
- $G_{\text{ant2}}$  – Gain of antenna 2 (typically 37dBi)
- $\text{LFS}$  – Loss of Free Space =  $92.45 + 20 * \text{Log}(D_{\text{km}} * F_{\text{GHz}}) +$ 
  - D - Link distance in Km
  - F – Frequency in GHz
- $\text{Att}_{\text{atm}}$  – Attenuation due to Atmospheric Gases (dB/Km)

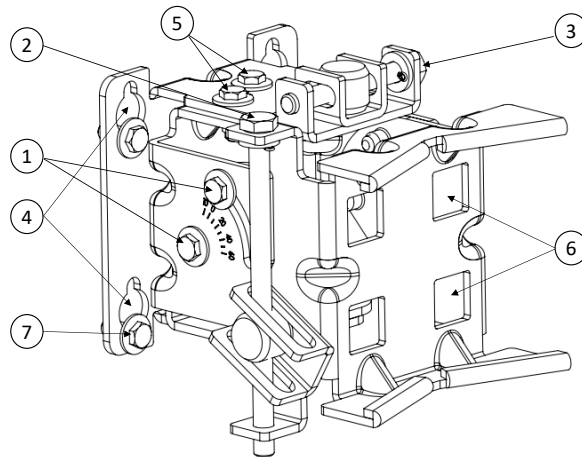
For E-band links, the Attenuation due to Atmospheric Gases is typically 0.5dB/Km.

For V-band links, the Attenuation due to Atmospheric Gases is significantly higher (up to 15dB/Km) and depends on the specific channel used and the exact geographical location.

Refer to EtherHaul Link Budget Calculator for on-line calculation of expected availability and expected RSSI.

## 2.6 Mounting the EtherHaul

This section details the mounting instructions of the EH-700/710 using the EH-MK-SM mounting kit.



- |  |  |
|--|--|
| 1. Elevation Lock Bolts (2 additional bolts at opposite side of the mount) 7mm Hex | 5. Azimuth Lock Bolts (2 additional bolts at opposite side of the mount) |
| 2. Elevation Fine Adjustment Bolt (+10°to -60°) 10mm Hex                           | 6. Worm Clamps Fixing Sockets  |
| 3. Azimuth Fine Adjustment Bolt ( $\pm 10^\circ$ ) 10mm Hex                        | 7. 7mm Hex bolts to be attached to the ODU (x 4)                         |
| 4. ODU Fixing Slots  |  |

*Figure 2-1 EH-MK-SM Mounting Bracket*


1. Unpack the ODU and the Mounting Bracket.
2. In order to allow free movement during alignment, unlock the Elevation and Azimuth Lock Bolts and position the bracket at 0 degrees.
3. Use 4 x 7mm Hex Bolts (part of the Mounting Bracket kit) and apply them to the back of the ODU, assuring minimum gap of ~5mm, to allow sliding them on the Mounting Bracket.
4. Use the 2x worm clamps (steel bands that are part of the Mounting Bracket kit) to secure the bracket to the pole.

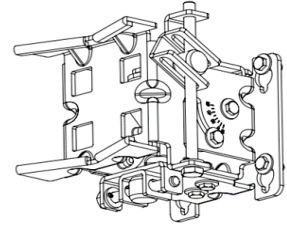
The ODU and the Mounting Bracket should be mounted on a fixed reinforced steel mounting pole with 2-4 inches diameter.


5. Attach the ODU to the Mounting Bracket by sliding it on the 4 fixing slots and lock the bolts.

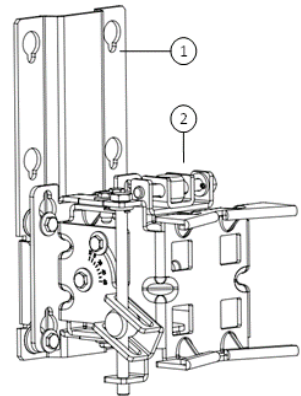
Note that a 7mm flat open-end wrench is needed!



**Note:**  In case elevation of more than +10° is needed (when shooting upwards), rotate the mounting bracket and mount it up-side-down to gain up to +60°.



**Note:**  In case where the elevation is more than 45° downwards, a dedicated extender plate (Siklu P/N - EH-MK-SM-EXT) should be used. This will prevent the cables from hitting the pole in sharp downwards elevation (45° to 60°).  
Attach the ODU to the extender plate first using the 4 Hex bolts and then to the mounting bracket, as described above.



## 2.7 Connecting the Cables



- |                                  |   |
|----------------------------------|---|
| 1. Electrical Ground Point(GND)  | 4. Ethernet RJ45 Eth#3 (PoE Out) and Alignment RSSI Output (for DVM)                                |
| 2. Ethernet RJ45 Eth#1 (PoE in)  |   |
| 3. Ethernet RJ45 Eth#2 (PoE Out) | 5. Push-button for toggling to Alignment mode and Restore Factory Default (for more than 8 seconds) |

Figure 2-2 Connection Panel Details

## 2.7.1 Power Options

To power up the EtherHaul using PoE, connect the cable to Eth#1. Both AC or DC PoEs can be used.

For direct DC feed, you may use RJ45-DC adapter (Siklu P/N: EH-PoE-DC-adaptor-10) to provide DC to the ODU over RJ-45 connector (should be connected to Eth#1). Note that in such case, Eth#1 will be used for power only (no data).



*Figure 2-3 PoE-DC RJ45 Adapter*

## 2.8 Grounding the EtherHaul

1. Connect one end of the grounding cable to the ground outlet on the left side of the ODU using the grounding cable lug.
2. Tighten the lug securely in place.
3. Connect the opposite end of the grounding cable to the earth connection, typically located on the mounting pole. If the earth connection is out of reach of the grounding cable, install an alternative cable.

To make a protective earth connection, use the grounding point located on the System ODU using a minimum amount of 16AWG grounding cable or according to local electrical code.

It is recommended to use Lightning Surge Protector on every Ethernet cable to protect the indoor networking equipment. The Lightning Surge Arrestor should be installed indoor next to the cable's point-of-entry and should be properly grounded.

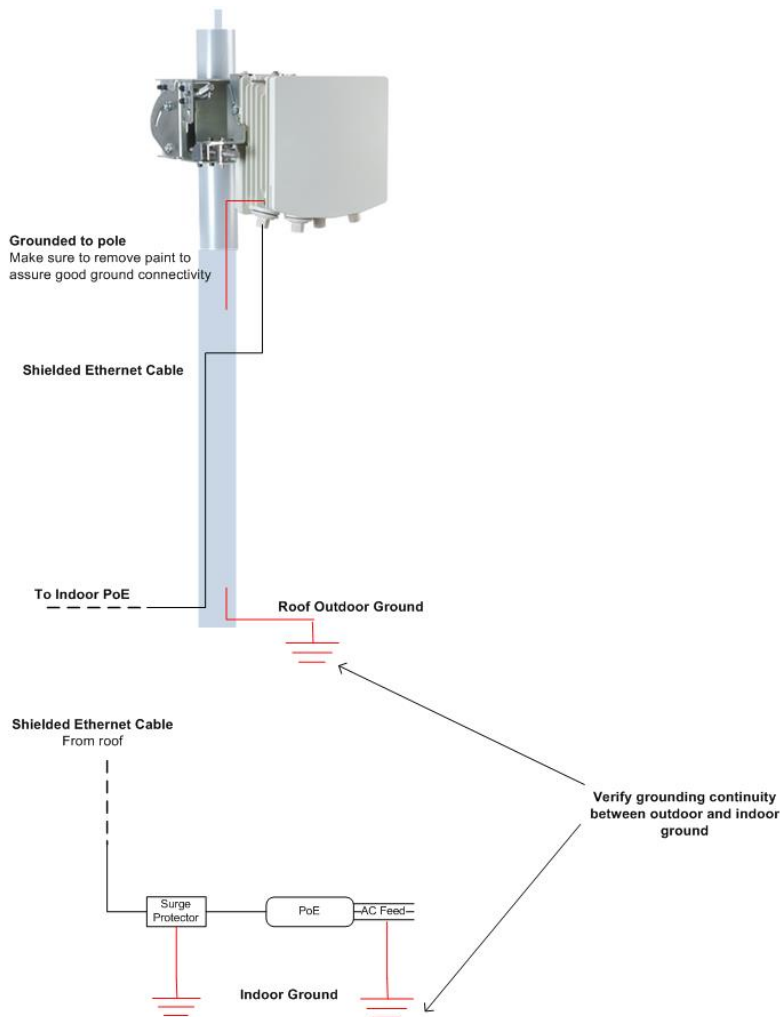


Figure 2-4 Grounding Scheme

## 2.8.1 Preparing the Cables

Before inserting a cable connector into the ODU, you must first enclose the cable connector in a protective All-Weather shell. Three sets of All-Weather shells are provided with the ODU for the ODU interfaces.



*Figure 2-5 All-Weather Connecting Cable Shell Assembly*

The provided protective All-Weather Shells fit cables from 3.5mm to 9.0mm diameter.

1. Thread the cable and tight the shell to the ODU firmly by hand (do not use tools).
2. Insert the rubber gasket snugly and tight the connector lock.

**Caution:**



To avoid accidental damage to the connector, when removing the All-Weather Shell, unlock the gland first.

## 2.9 System LEDs

LED	Color	Description
PWR (Power)	Green – Power OK	Blink Green – Device boot
	Red – Power Failure	
	Off – No Power	
RF	Green – Link Up	Blink Green – Device boot
	Orange – Alignment Mode	
	Off – Link Down	
ETH1/2/3:	Green – Link 1G	Blink Green – 1G activity
	Orange – Link 10/100	Blink Orange – 10/100 activity
	Off – No Link (Carrier)	
BT/GPS		For future use

## 2.10 Aligning the Antenna


The ODU antenna must be aligned on both local and remote ODUs. You must first perform coarse alignment on each ODU, followed by fine alignment. Accurate alignment of the ODU is critical for achieving the strongest possible receive signal.

The ODU has three modes of operation:

- **Alignment** – Carrier Wave transmission. Used for antenna alignment.
- **Adaptive** – Operational mode used with adaptive bandwidth, code, and modulation.
- **Static** – Operational mode used with a fixed modulation profile.

ODUs are shipped from the factory in Adaptive mode.

To perform antenna alignment, the ODUs should be in Adaptive mode.

**Note:**  Switch both sides to Alignment mode only in cases where you fail to achieve optimal alignment after considerable tries. Switching the ODU to Alignment mode can be done using the web-based management or by short-press on the push button on Eth3 port, toggling the ODU between Adaptive and Alignment modes (following system reboot).

Connect the RJ45 connector of the Alignment RSSI adapter cable for DVM that can be found in the box to Eth3 port to get RSSI reading.



*Figure 2-6 RSSI RJ45 Adapter*

### 2.10.1 Performing the Alignment

1. Verify that both ODUs are in Adaptive mode.
2. Verify that the Elevation (1) and Azimuth (5) Lock Bolts are unlocked and positioned at 0 degrees.

#### Coarse Alignment (Azimuth Only)

3. Verify visually that the ODU is pointing to remote site. Optimize the coarse alignment by turning the mounting bracket. Once optimum achieved, fasten the worm-clamp to secure the bracket to the mounting pole.

#### Fine Alignment

4. Read the receive level (RSSI) using the DVM. The voltage reading will be between 0 to 1Vdc, indicating the RSSI in dBms (for example 0.45V=-45dBm). Voltage reading on the RSSI will be available ~1 minute after switching the ODU to Alignment Mode.
5. Perform fine Azimuth and Elevation alignment using the fine adjustment bolts, identifying the main lobe until the expected receive level is achieved (within +/- 4dB). Align the ODUs in turns till optimal alignment.
6. Once the optimum position achieved, tighten the azimuth and elevation lock bolts on first ODU.
7. Use the DVM to verify that the received signal level has not degraded during locking.
8. Repeat steps 5-6 on the second ODU.

Antenna alignment is now complete.

### 2.11 Link Up Verification

1. Disconnect the DVM.
2. Reboot both ODUs by disconnect/reconnect the power.
3. Following this action, and after the ODU has finished rebooting, the RF LED color indicator on both ODUs will turn Green, indicating that the radio link is up.

The EtherHaul link can now pass traffic and management between the ports and over the radio link.

Use the Web-based management or Command Line Interface for radio link configuration and monitoring.

### **3 Performing Basic Setup Using the Web-Based Management**

This chapter describes how to perform basic setup using the web-based management.

The scope of this installation manual is basic setup and monitoring of the radio link.

- For full configuration and maintenance procedures, refer to the “EtherHaul Operation, Administration and Maintenance Manual”.
- The “EtherHaul Operation, Administration and Maintenance Manual” also details the configuration, monitoring and maintenance procedures using the Command Line Interface.

This chapter includes the following topics:

- Connecting to the ODU using the Web-Based Management
- Main Page
- General Configuration Commands
- Quick Configuration Wizard
- Radio Page
- Default Bridge Configuration
- Applying and Saving Configuration Changes



### 3.1 Connecting to the ODU Using the Web-Based Management

1. Launch an Internet Browser and enter `https://` followed by the ODU's IP address. The ODU's default IP address is `192.168.0.1`.

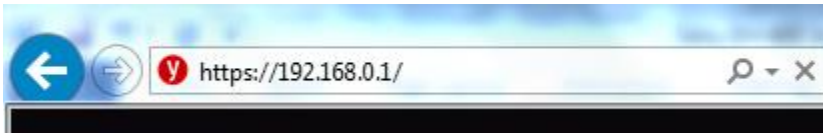


Figure 3-1 Launching the Web-Based Management

2. When prompted, enter the username and password. Default: **admin** and **admin**.

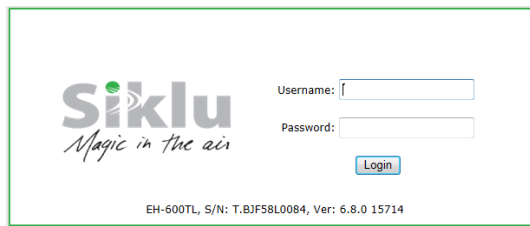


Figure 3-2 Entering Username and Password

3. Once loaded, the Web-Based Management Main page is displayed.

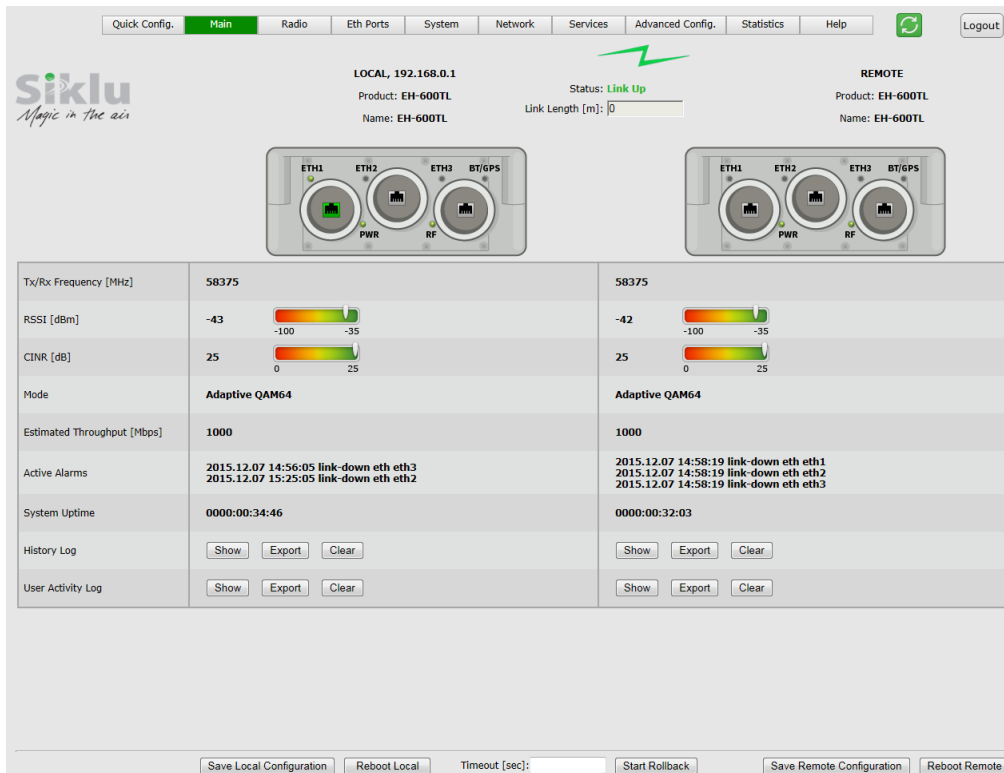


Figure 3-3 Web-Based Management Main Page

## 3.2 Main Page

The Web-Based Management provides link view, presenting both local and remote configuration and monitoring.

Although the local and remote systems IP address is identical (default IP address 192.168.0.1), the remote will be available as well as the EtherHaul uses dedicated communication channel for local-remote communication that is not IP-based.

It is recommended, however, to assign dedicated IP address for local and remote systems.

**Note:**



Depending on your station's screen size and resolution, you may need to scroll the screen vertically or horizontally in order to view all options for local + remote.

Alternatively, you may change the change the Internet's Browser display distance (Zoom out, using Ctrl+Minus).

The Web-Based Management Main page is a read-only page and displays the following information:

- Link Status – Link up or down (with visual indication)
- Link Length [m] – link calculated distance between the local and remote systems (air distance) based on propagation time.
- Tx/Rx frequency [MHz]
- RSSI [dBm] – Receiver Signal Strength Indicator. Current receive level.
- CINR [dB] – Carrier to Interference + Noise ratio. Indicates the current radio link's signal quality. In normal conditions,  $CINR \geq 19$  indicates a good signal quality.
- Mode – Current operational mode of the link:
  - Alignment – Carrier Wave transmission. Used for antenna alignment. No data over the radio link.
  - Static – Fixed modulation profile. If you select Static, you must select from a list of pre-configured modulation profiles in the Modulation field.
  - Adaptive – Adaptive Bandwidth, Code, and Modulation. The system will work on the highest modulation profile based on the CINR values of the both sides and will present the current modulation profile.
- Estimated Throughput [Mbps] – based on the current modulation profile.
  - For TDD systems – value is aggregated (Half-Duplex).

**Note:**



Actual Layer 1 throughput depends on product's specs. Refer to the EtherHaul Release Notes for exact specifications.

- Current Alarms – list of currently active alarms and date&time raised.
- History Log – System alarms and events history log.
- User Activity Log – All configuration changes are logged, including user and date&time (presented in the form of CLI commands).

**Note:**



To view logs, pop-ups must be enabled and allowed on your Internet Browser.

## 3.3 General Configuration Commands

### 3.3.1 Apply

Any configuration change is executed upon clicking **Apply**.

The Local-Remote concept of the Web-Based Management allows configuring both local and remote systems of the link.

The **Apply** button is available at the bottom of each configuration page (one button for both local and remote systems).

When clicking **Apply**, the configuration changes will be sent to remote system first and then to the local system. If multiple parameters changed on the page before clicking **Apply**, all parameters are sent in bulk to the system and then executed locally in order to avoid losing management connection.

### 3.3.2 Save Configuration

Any configuration change applied should be saved using the **Save Configuration** button.

The system has two configuration banks:

1. Running Configuration – the currently active configuration. Every time **Apply** is clicked, the Running Configuration is updated.
2. Startup Configuration – the configuration the system will come up with after the next reset. This configuration may be different than the currently active configuration (Running Configuration).

In order to save the applied configuration changes, click **Save Configuration** so changes will be saved to the startup configuration. If changes are not saved to the startup configuration, they will be lost the next time the system resets.

**Save Configuration** buttons are available for local and remote systems.

### 3.3.3 Rollback

A safety measure that allows recovering from system configuration changes that caused loss of communication.

When Rollback is used, a timer runs (and restarts) whenever a management (or CLI) command is entered. In the event that no command is entered within the timeout period, the system automatically resets and comes up with the saved startup configuration.

A Rollback timeout is especially recommended when configuring remote elements that are being managed over the link.

Rollback is activated for both local and remote systems.

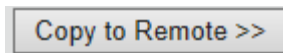
### 3.3.4 Reset

Separate buttons for local and remote reset. The system will reset and come up after initialization (~120 seconds).

Note that any unsaved changes will be lost.

### 3.3.5 Copy To Remote

You can find the **Copy To Remote** button next to some configuration parameters or sections. This function copies configuration to remote system based on the changes on the local system.



*Figure 3-4 Copy To-Remote icon*

Matching configuration may be of two types:

- Identical configuration – exactly same configuration will be copied from the local to remote system. It can be found for parameters that normally requires identical configuration for both local and remote units.

For example, Encryption configuration.

- Matching configuration – for parameters that require matching but opposite configuration.

For example, transmit frequency where Tx(local)=Rx(remote) and Rx(local)=Tx(remote).

### 3.4 Quick Configuration Wizard

Use the Quick Configuration wizard to configure the basic system parameters. It holds the basic minimal configuration required to start using the link.

The Quick Configuration wizard should be used for the initial system setup after installation. For monitoring and advanced configuration, please refer to the dedicated configuration pages of the Web-Based Management.

To access the Quick Configuration wizard, go to the **Quick Config** page.

#### 3.4.1 Quick Configuration: Step 1 – System

Figure 3-5 Quick Config Page: Step 1 - System

The first section allows configuring the following parameters:

- Name – you can give a name for each system
- Date – [YYYY.MM.DD]
- Time – [HH:MM:SS]

Click **Next** to continue.

### 3.4.2 Quick Configuration: Step 2 – Radio

System	Channel Bandwidth [MHz]	500	500
step 2 Radio	Tx Frequency [MHz]	Country: Worldwide Frequency: 58375	Country: Worldwide Frequency: 58375
step 3 Eth Ports	Tx Power [dBm]	5	5
step 4 Network	Alignment Status	Inactive	Inactive
	Alignment Probe	<input checked="" type="checkbox"/>	<input checked="" type="checkbox"/>
	Mode	QAM64 <input checked="" type="radio"/> Adaptive <input type="radio"/> Alignment <input type="radio"/> Static	QAM64 <input checked="" type="radio"/> Adaptive <input type="radio"/> Alignment <input type="radio"/> Static
	Transmit Asymmetry	50TX-50RX	50TX-50RX

Figure 3-6 Quick Config Page: Step 2 - Radio

This section allows configuring the following parameters:

- Channel Bandwidth [MHz] – 125, 250 or 500MHz (default is 500MHz).
- Tx Frequency [MHz] – transmit frequency. For TDD systems – identical Tx and Rx frequencies. Frequency range for EH-500T/TX, EH-600T/TX is between 57xxxMHz and 71xxxMHz.

Select a frequency from the drop down list, after setting the country per the procedure below.

- Country – choose the country you operate in for list of specifically supported channels. Default is Worldwide (all channels available). Country: it is the user responsibility to follow local country spectrum regulations by selecting the correct value per actual location of the radio (e.g: US for USA, UK for United Kingdom, etc...)
- Tx Power [dBm] – ODU's transmit power. Default is the max power, based on product's specs. Minimum configurable Tx power is -35dBm (note that actual minimum Tx power is based on product's specs).

**Note:**



Adjust Tx Power so the RSSI at the remote end will not exceed -35dBm (overload threshold).

The Tx power value sets the transmit power for the highest modulation profile. In case lower modulation profile(s) has higher max Tx power (based on product's specs), the Tx power will be increased automatically without indication in RF configuration menu.

- Mode – operational mode of the link:
  - Alignment – Carrier Wave transmission. Used for antenna alignment. No data over the radio link.

**Note:**



When exiting Alignment mode, perform system reset to allow proper operation of the radio link.

- Static – Fixed modulation profile. If you select Static, you must select from a list of pre-configured modulation profiles in the Modulation field.
- Adaptive – Adaptive Bandwidth, Code, and Modulation.

The ODU will work on the highest modulation profile based on the CINR values of the both sides and will present the current modulation profile.

Adaptive mode is the normal and recommended mode of the radio link.

- Alignment Status – R/O field, indicating that the ODU is currently in Alignment mode (by configuration or by inserting DVM probes).
- Alignment Probe – when checked, RSSI AGC value will be available on Eth3.

**Note:**



It is recommended to disable the Alignment Probe indication after link is installed.

- Transmit Asymmetry – Default value is symmetric configuration: 50% for Tx and Rx (50tx-50rx). For an asymmetric configuration (75%/25%), Role has to be set: the Master unit transmits the higher rate (75tx-25rx) and the Slave unit the lower rate (25tx-75rx).

When selecting asymmetric configuration, Role will be set automatically (refer to Radio Advanced Settings).

Note: Asymmetric configuration depends on product’s specs and is relevant only for TDD systems).

Click **Next** to continue or **Back** to return to previous section.

### 3.4.3 Quick Configuration: Step 3 – Eth Ports

	Eth1	Eth2	Eth3	Eth1	Eth2	Eth3
Port Type	<input checked="" type="radio"/> RJ45	<input checked="" type="radio"/> RJ45	<input checked="" type="radio"/> RJ45	<input checked="" type="radio"/> RJ45	<input checked="" type="radio"/> RJ45	<input checked="" type="radio"/> RJ45
Port Enable	<input checked="" type="checkbox"/>	<input checked="" type="checkbox"/>	<input checked="" type="checkbox"/>	<input checked="" type="checkbox"/>	<input checked="" type="checkbox"/>	<input checked="" type="checkbox"/>
Auto-Negotiation	<input checked="" type="checkbox"/>	<input checked="" type="checkbox"/>	<input checked="" type="checkbox"/>	<input checked="" type="checkbox"/>	<input checked="" type="checkbox"/>	<input checked="" type="checkbox"/>
Speed/Duplex	1000FD					

Figure 3-7 Quick Config Page: Step 3 – Eth Ports

This section allows configuring the following parameters:

- Port status visual display (Green – port is up).
- Port Type – RJ45 or SFP
- Port Enable – checkbox to enable the port.
- Auto Negotiation – checkbox to enable auto-neg.
- Speed/Duplex – speed (10/100 or 1000) and duplex (half/full) setting:
  - When Auto Negotiation Enabled – R/O field indicating the current speed/duplex
  - When Auto Negotiation Disabled – allows configuring the speed/duplex.
  - R/O field indicating the current speed/duplex (note that for SFP ports, only 1000 speed is available).

Click **Next** to continue or **Back** to return to previous section.

### 3.4.4 Quick Configuration: Step 4 – Network

The screenshot displays the 'Quick Configuration: Step 4 – Network' interface. On the left, a sidebar contains four green circular icons: a checkmark for 'System', a checkmark for 'Radio', a checkmark for 'Eth Ports', and a 'step 4' icon for 'Network'. The main content area is titled 'IP Address' and is divided into two columns. Each column contains a table with headers: '#', 'Type', 'IP Address', 'Prefix length', and 'VLAN'. The left table has two rows: row 1 with 'Static' type, IP '192.168.0.1', prefix '24', and VLAN '0'; row 2 with 'Static' type, IP '10.10.10.1', prefix '24', and VLAN '100'. Below the table are 'Add IPv4' and 'Add IPv6' buttons. The right table has two rows: row 1 with 'Static' type, IP '192.168.0.1', prefix '24', and VLAN '0'; row 2 with 'Static' type, IP '10.10.10.2', prefix '24', and VLAN '100'. Below the table are 'Add IPv4' and 'Add IPv6' buttons. Below the IP Address section is the 'Default Gateway' section, which has two columns. Each column has an 'IP Address' field (containing '10.10.10.250') and an 'IPv6 Address' field. Below this is the 'SNMP Managers' section, which has two columns. Each column has a table with headers: '#', 'UDP-Port', 'Security Name', 'SNMP Version', and 'Engine ID'. Below each table is an 'Add' button. At the bottom of the page are 'Back' and 'Apply' buttons.

Figure 3-8 Quick Config Page: Step 4 – Network

This section allows configuring the following parameters:

- IP Address

The EtherHaul supports up to four IP addresses that can be associated with different VLANs. IPv4 or IPv6 can be configured. IP addresses may also be acquired by DHCP.

- # - Index (1-4)
- Type – Static or DHCP



- IP Address – Default is 192.168.0.1
- IP Prefix Length – Default is 24 (equivalent to Mask of 255.255.255.0)
- VLAN – 0 (not defined, meaning the IP is not associated with specific VLAN)

Click the Trash icon to clear an IP. Note you cannot clear the IP address you used to log in to the system.

- Default Gateway
- SNMP Managers

Up to five managers that will receive SNMP traps can be configured (SNMPv2c or SNMPv3).

- # - Index (1-5)
- IP Address – Destination IP Address
- UDP Port – port number for sending traps
- Security Name (community)
- SNMP Ver – SNMP version (SNMPv2c or SNMPv3)
- Engine ID – Used for SNMPv3

Click **Apply** to execute the configuration changes or **Back** to return to previous section.

## 3.5 Radio Page

The radio link parameters and radio link monitoring are managed in the **Radio** page.

This chapter includes the following topics:

- Settings
- Advanced Settings
- Maintenance
- Modulation Table
- Statistics

### 3.5.1 Settings

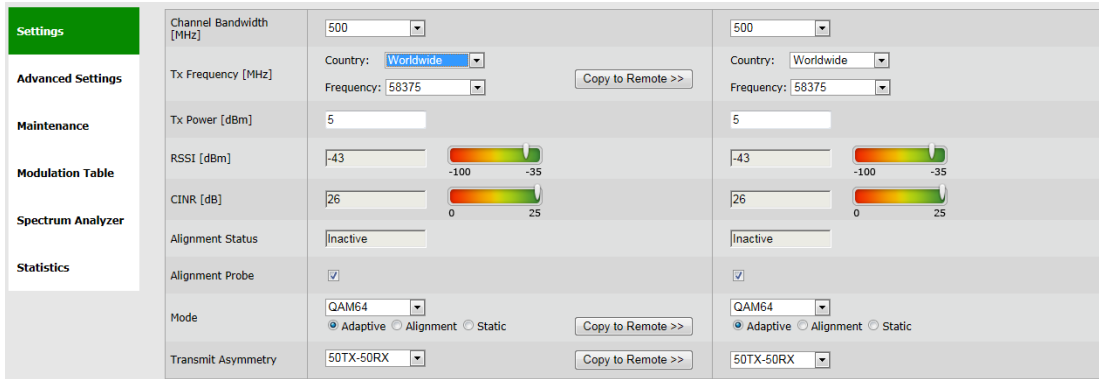


Figure 3-9 Radio Page: Settings

This section allows configuring the following parameters:

- Channel Bandwidth [MHz] – 125, 250 or 500MHz (default is 500MHz).
- Tx Frequency [MHz] – transmit frequency. For TDD systems – identical Tx and Rx frequencies. Frequency range for EH-500T/TX, EH-600T/TX is between 57xxxMHz and 71xxxMHz.

Select a frequency from the drop down list, after setting the country per the procedure below.

- Country – choose the country you operate in for list of specifically supported channels. Default is Worldwide (all channels available). Country: it is the user responsibility to follow local country spectrum regulations by selecting the correct value per actual location of the radio (e.g: US for USA, UK for United Kingdom, etc...)
- Tx Power [dBm] – ODU’s transmit power. Default is the max power, based on product’s specs. Minimum configurable Tx power is -35dBm (note that actual minimum Tx power is based on product’s specs).

**Note:**



Adjust Tx Power so the RSSI at the remote end will not exceed -35dBm (overload threshold).

The Tx power value sets the transmit power for the highest modulation profile. In case lower modulation profile(s) has higher max Tx power (based on product’s specs), the Tx power will be increased automatically without indication in RF configuration menu.

- Mode – operational mode of the link:
  - Alignment – Carrier Wave transmission. Used for antenna alignment. No data over the radio link.

**Note:**



When exiting Alignment mode, perform system reset to allow proper operation of the radio link.

- Static – Fixed modulation profile. If you select Static, you must select from a list of pre-configured modulation profiles in the Modulation field.
- Adaptive – Adaptive Bandwidth, Code, and Modulation.

The ODU will work on the highest modulation profile based on the CINR values of the both sides and will present the current modulation profile.

Adaptive mode is the normal and recommended mode of the radio link.

- Alignment Status – R/O field, indicating that the ODU is currently in Alignment mode (by configuration or by inserting DVM probes).
- Alignment Probe – when checked, RSSI AGC value will be available on Eth3.

**Note:**



It is recommended to disable the Alignment Probe indication after link is installed.

- Transmit Asymmetry – Default value is symmetric configuration: 50% for Tx and Rx (50tx-50rx). For an asymmetric configuration (75%/25%), Role has to be set: the Master unit transmits the higher rate (75tx-25rx) and the Slave unit the lower rate (25tx-75rx).

When selecting asymmetric configuration, Role will be set automatically (refer to Radio Advanced Settings).

Note: Asymmetric configuration depends on product’s specs and is relevant only for TDD systems).

### 3.5.2 Advanced Settings

Settings	Long Range Mode	Normal	Normal
Advanced Settings	ATPC	<input type="checkbox"/> Target RSSI: -35 Min Tx Power: -35 Min CINR: -128	<input type="checkbox"/> Target RSSI: -35 Min Tx Power: -35 Min CINR: -128
Maintenance	Encryption	<input type="checkbox"/> Static-key: 92E3C28020570998E74B41C06A58BB40	<input type="checkbox"/> Static-key: 92E3C28020570998E74B41C06A58BB40
Modulation Table	Role	Auto	Auto
Spectrum Analyzer	Link ID	Tx : 0 Rx : 0	Tx : 0 Rx : 0
Statistics	Automatic Repeat Request	<input checked="" type="checkbox"/> Status: Established	<input checked="" type="checkbox"/> Status: Established
	Lowest Modulation	QPSK1	QPSK1

Figure 3-10 Radio Page: Advanced Settings

This section allows configuring the following parameters:

- Long Range Mode – checkbox to enable extended range mode:
- Normal – links from 0 to 750m
- Long – links from 0 to 1000m
- ATPC – Automatic Transmit Power Control adjusts transmitter output power of the local system based on the varying signal level at the remote receiver.

ATPC allows the transmitter to operate at less than maximum power for most of the time and when fading conditions occur, transmit power will be increased as needed until the maximum configured value is reached. ATPC messages are carried over the radio over radio communication channel.

The purpose of ATPC is a) to reduce interference to other radios operation in the same channel/band and to allow better frequency reuse; and b) to reduce transmitter power consumption and prolong system's components life.

ATPC is supplementary to adaptive modulation and works before adaptive modulation changes modulation profiles.

Interference avoidance algorithm is implemented in order to overcome the main drawback of use of ATPC: interference from other links that may degrade the radio link performance. Besides setting the Target RSSI, the user can also set the Target CINR that will notify the remote transmitter to increase its Tx power to maintain CINR is above the threshold set.

Mode of operation: the local system compares the actual received RSSI to the ATPC Target RSSI. If the difference in values is 2dB or higher ( $\Delta \geq 2\text{dB}$ ), a message to remote transmitter will be sent, asking to change its Tx power.

The Tx power can be changed the system's configured Tx power down to the ATPC Min Tx Power that was configured.

Configuration options:

- Checkbox to enable the ATPC operation.
- ATPC Target RSSI – allowed values -35 to -70 dBm (default -35 dBm).
- ATPC Min Tx Power – allowed values -35 to 0 dBm (default -35 dBm).
- Min CINR – allowed values -128 to 128 dB (default -128 dB).
- Encryption – checkbox to enable Encryption and field to enter the static key.

The EtherHaul supports 128bit and 256bit AES encryption with Static key. This means that the encryption key (32 characters long for AES 128bit or 64 characters long for AES 256bit) must be inserted manually into both ends of the link. If there is an encryption mismatch, traffic does not go over the link.

Encryption is a licensed feature that requires license for operation. Before configuring it, verify that license is available and enable the **encryption** license component.

- Role – Determines whether the ODU functions as a master or slave. In a link, one side must be set to Master and the other side must be set to Slave (required for link synchronization). Default value is Auto, meaning the role is set automatically by the link.

Manually setting the Role is necessary only for asymmetric configurations.

- Link ID – unique Tx and Rx Link IDs for links installed on the same site to avoid locking on the wrong transmitter.

Link IDs must be identical on both ends for the link to be operational.

- ARQ - checkbox to enable the mode and field to view the current status.

The ARQ (Automatic Repeat Request) is an algorithm that uses selective repeat (retransmission) to eliminate radio BER. The default mode is **Enabled**. When both sides are enabled and radio link is up, ARQ status will be **Established**.

Disabling the ARQ mode is not recommended as it may result in radio BER.

- Lowest Modulation – Lowest modulation profile. When modulation drops below this threshold, radio link will be down. It is used to limit the minimal modulation profile of the link. Default QPSK 1 (lowest available).

### 3.5.3 Maintenance

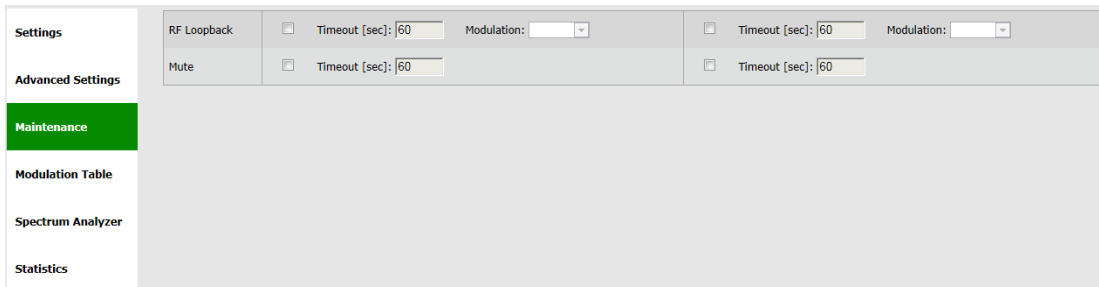


Figure 3-11 Radio Page: Maintenance

This section allows configuring the following parameters:

- RF Loopback – checkbox to enable the internal RF loopback, set the timeout for clearing the loopback in seconds and select the modulation the ODU will be tested at.

Note that it will take the ODU to stabilize after loopback up to 3 minutes so set the loopback timeout accordingly (recommended 600 seconds).

Mute remote transmitter first to avoid interference with the loopback operation.

Loopback is done with MAC addresses swap.

Refer to the *Diagnostics* chapter of this manual for detailed description of the system's loopbacks.

- Mute – checkbox to mute the transmitter with timeout in seconds. When muted, the ODU will not transmit.

### 3.5.4 Modulation Table

Settings		Channel-width	Name	CINR Low	CINR High	Backoff	Capacity	Channel-width	Name	CINR Low	CINR High	Backoff	Capacity	
	Modulation Table	250Mhz	QPSK1	-128	13	5	20	250Mhz	QPSK1	-128	13	5	20	
		250Mhz	QPSK2	9	14	8	42	250Mhz	QPSK2	9	14	8	42	
		250Mhz	QPSK3	10	16	8	175	250Mhz	QPSK3	10	16	8	175	
		250Mhz	QAM16	15	19	8	350	250Mhz	QAM16	15	19	8	350	
		250Mhz	QAM64	18	127	8	500	250Mhz	QAM64	18	127	8	500	
		500Mhz	QPSK1	-128	13	5	20	500Mhz	QPSK1	-128	13	5	20	
		500Mhz	QPSK2	9	14	8	85	500Mhz	QPSK2	9	14	8	85	
		500Mhz	QPSK3	10	16	8	350	500Mhz	QPSK3	10	16	8	350	
		500Mhz	QAM16	15	19	8	700	500Mhz	QAM16	15	19	8	700	
		500Mhz	QAM64	18	127	8	1000	500Mhz	QAM64	18	127	8	1000	
Advanced Settings														
Maintenance														
Modulation Table														
Spectrum Analyzer														
Statistics														

Figure 3-12 Radio Page: Modulation Table

The modulation table presents the available modulation profiles. The radio can be configured only to one of the profiles available in the table.

- CINR Low – Lower threshold for stepping down in modulation profile (Adaptive Mode).
- CINR High – Upper threshold for stepping up in modulation profile (Adaptive Mode).

Note that different modulation tables may apply according to product used, the frequency channel used and ARQ status.

The modulation profiles and thresholds are optimized and should not be modified (can be configured via CLI only after consulting Siklu support).

### 3.5.5 Spectrum Analyzer

Site survey option to allocate free and un-interfered channels.

Radio link will go down and the ODU will scan all selected channels (about 1 minute per channel) and display a report of the spectrum scan.

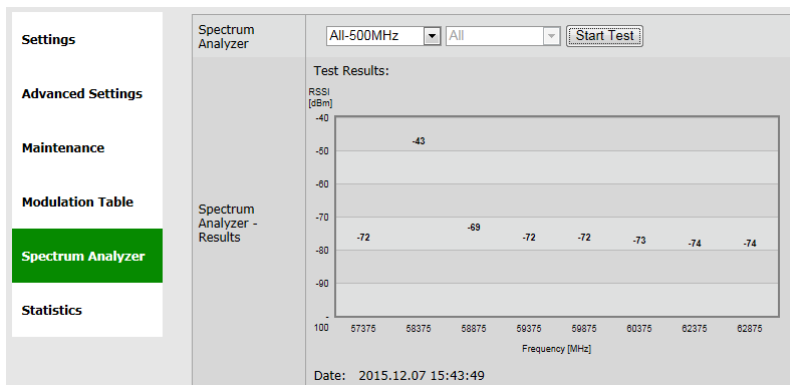


Figure 3-13 Radio Page: Spectrum Analyzer

Recorded values of  $\sim$ -70dBm should be regarded as free from interference. In this example, 58375 channel is not free from interference and should not be used.

### **3.5.6 Statistics**

Radio link's performance can be monitored using the advanced statistics counters.

Refer to the *Statistics* chapter of the *EtherHaul Operation, Administration and Maintenance Manual* for detailed description of the system's statistics.

## **3.6 Default Bridge Configuration**

The default system's configuration is IEEE 802.1d Transparent Bridge. In this mode, all traffic (both tagged and untagged) is transparently forwarded between all ports and over the radio.

## 4 Commissioning and Acceptance Procedure

This chapter presents the recommended commissioning and acceptance procedure to be performed following the installation of each EtherHaul radio link.

The commissioning and acceptance procedure verifies the correct installation and the proper, safe, and robust operation of the EtherHaul RF link.

This chapter includes the following topics:

- Installation Verification and Testing
- EtherHaul Commissioning and Acceptance Form

### 4.1 Installation Verification and Testing

Inspect the following components and confirm their adherence to requirements that are detailed in the accompanying checklist.

#### 4.1.1 Physical Installation Verification

This inspection verifies the physical installation of the ODU, in accordance with the EtherHaul's installation procedure and requirements.

1. Pole mount installation
2. ODU installation
3. Weatherproofing the cables
4. Cables installation
5. Grounding

#### 4.1.2 RF Link Test

This inspection verifies the RF link status.

1. RF LED is green.
2. Management/CLI indication: "RF Operational – Up".
3. Receive Signal Strength Indication (RSSI) achieved in Alignment mode is within +/-4dB of the expected value.
4. Carrier to Interference + Noise Ratio (CINR) is 19 or higher.
5. Highest modulation achieved
6. Link configuration is in accordance with plan requirements.

#### 4.1.3 Link Errors Test

This inspection verifies frame-loss-free operation of the radio link.



1. No ARQ losses on the RF Statistics counters.

#### 4.1.4 Ethernet Services Test

This inspection verifies correct Ethernet services flow and error-free operation.

1. Connect PCs on both ends of the link and use software-based utilities to test for packet-loss.
2. If available, connect a packet analyzer to the GbE port and verify that no packets are lost.

#### 4.1.5 Management Verification

This inspection verifies proper management of the link.

1. Verify correct management/CLI connection to both local and remote ODUs.
2. Verify management access from remote NMS stations.

#### 4.1.6 Recording ODU Configuration

Perform the following steps after the EtherHaul ODU is commissioned and accepted:

1. Copy the Running Configuration (currently active) to Startup Configuration.
2. Save the configuration file for future records and backup.

## 4.2 EtherHaul Commissioning and Acceptance Form

EtherHaul™ Commissioning and Acceptance Form		
<b>Customer Details</b>		
Customer		
Project/link name		
<b>Physical Installation Verification</b>	<u>Local Site</u>	<u>Remote Site</u>
Site name & address		
Mount type	<input type="checkbox"/> Roof-top <input type="checkbox"/> Mast/Tower <input type="checkbox"/> Other _____	<input type="checkbox"/> Roof-top <input type="checkbox"/> Mast/Tower <input type="checkbox"/> Other _____

ODU mount above ground	Meters	meters
Clear line-of-sight	<input type="checkbox"/> Yes <input type="checkbox"/> No _____	
ODU safely mounted using Siklu's bracket correctly installed	<input type="checkbox"/> Yes <input type="checkbox"/> No	<input type="checkbox"/> Yes <input type="checkbox"/> No
Pole diameter according to mount specs	<input type="checkbox"/> Yes <input type="checkbox"/> No	<input type="checkbox"/> Yes <input type="checkbox"/> No
Bracket's mounting bolts securely tightened	<input type="checkbox"/> Yes <input type="checkbox"/> No	<input type="checkbox"/> Yes <input type="checkbox"/> No
ODU grounding	<input type="checkbox"/> Yes <input type="checkbox"/> No	<input type="checkbox"/> Yes <input type="checkbox"/> No
Cables/Fibers connections (mark all cables connected)	<input type="checkbox"/> Eth1 Cat5 <input type="checkbox"/> Eth1 Fiber <input type="checkbox"/> Eth2 Cat5 <input type="checkbox"/> Eth2 Fiber <input type="checkbox"/> Eth3 Cat5 <input type="checkbox"/> Eth3 Fiber <input type="checkbox"/> Eth4 Cat5 <input type="checkbox"/> Eth4 Fiber <input type="checkbox"/> DC	<input type="checkbox"/> Eth1 Cat5 <input type="checkbox"/> Eth1 Fiber <input type="checkbox"/> Eth2 Cat5 <input type="checkbox"/> Eth2 Fiber <input type="checkbox"/> Eth3 Cat5 <input type="checkbox"/> Eth3 Fiber <input type="checkbox"/> Eth4 Cat5 <input type="checkbox"/> Eth4 Fiber <input type="checkbox"/> DC
Overall cables/fibers length	meters	meters
Cables/Fibers securely routed and fixed properly using cable ties	<input type="checkbox"/> Yes <input type="checkbox"/> No	<input type="checkbox"/> Yes <input type="checkbox"/> No
Cables/Fibers are properly weatherproofed using the appropriate glands	<input type="checkbox"/> Yes <input type="checkbox"/> No	<input type="checkbox"/> Yes <input type="checkbox"/> No
ODU DC source	<input type="checkbox"/> PoE <input type="checkbox"/> External DC	<input type="checkbox"/> PoE <input type="checkbox"/> External DC
PoE model and manufacturer		
Measured DC power (management reading)	Volts DC	Volts DC
<b>RF Link Parameters</b>		
ODU Model		
ODU P/N		
ODU S/N		

ODU running SW version		
Tx/Rx frequency	MHz	MHz
Channel-width	<input type="checkbox"/> 250MHz <input type="checkbox"/> 500MHz	<input type="checkbox"/> 250MHz <input type="checkbox"/> 500MHz
Role	<input type="checkbox"/> Auto <input type="checkbox"/> Master <input type="checkbox"/> Slave	<input type="checkbox"/> Auto <input type="checkbox"/> Master <input type="checkbox"/> Slave
Tx/Rx Link ID	0 (not used)	0 (not used)
Modulation/Mode Mode: modulation/sub-channel/repetitions/FEC	<input type="checkbox"/> Adaptive _____ <input type="checkbox"/> Static _____	<input type="checkbox"/> Adaptive _____ <input type="checkbox"/> Static _____
UL/DL Configuration	<input type="checkbox"/> Symmetric <input type="checkbox"/> Asymmetric (ratio)_____%	
ODU polarization	<input type="checkbox"/> V <input type="checkbox"/> H	<input type="checkbox"/> V <input type="checkbox"/> H
Long Range Mode	<input type="checkbox"/> Yes <input type="checkbox"/> No	<input type="checkbox"/> Yes <input type="checkbox"/> No
Link distance	meters	
<b>RF Link Tests</b>		
Expected RSSI	dBm	dBm
Measured RSSI	dBm	dBm
Measured CINR	dB	dB
Green "RF" LED	<input type="checkbox"/> Yes <input type="checkbox"/> No	<input type="checkbox"/> Yes <input type="checkbox"/> No
RF operational status Up	<input type="checkbox"/> Yes <input type="checkbox"/> No	<input type="checkbox"/> Yes <input type="checkbox"/> No
RF Statistics error counters clear	<input type="checkbox"/> Yes <input type="checkbox"/> No	<input type="checkbox"/> Yes <input type="checkbox"/> No
<b>Ethernet Services Tests</b>		
Frame-Loss test <input type="checkbox"/> Packet Analyzer <input type="checkbox"/> SW-based <input type="checkbox"/> EtherHaul Statistics	<input type="checkbox"/> No Frame-Loss Test duration _____	<input type="checkbox"/> No Frame-Loss Test duration _____
<b>Management</b>		

IP address	IP _____ VLAN _____	IP _____ VLAN _____
Prefix-Length / IP Mask		
Default IP Gateway		
Management of local and remote	<input type="checkbox"/> Yes <input type="checkbox"/> No	<input type="checkbox"/> Yes <input type="checkbox"/> No
NMS used	<input type="checkbox"/> _____	<input type="checkbox"/> _____
NMS management access	<input type="checkbox"/> OK <input type="checkbox"/> NOK <input type="checkbox"/> N/A	<input type="checkbox"/> OK <input type="checkbox"/> NOK <input type="checkbox"/> N/A
Traps received in NMS	<input type="checkbox"/> OK <input type="checkbox"/> NOK <input type="checkbox"/> N/A	<input type="checkbox"/> OK <input type="checkbox"/> NOK <input type="checkbox"/> N/A
<b>Final Configuration Verification</b>		
Copy running config to startup	<input type="checkbox"/> Done	<input type="checkbox"/> Done
Clear all statistics and logs	<input type="checkbox"/> Done	<input type="checkbox"/> Done
Configuration file saved and stored	<input type="checkbox"/> Done	<input type="checkbox"/> Done
<b>Additional Info / Remarks</b>		
<b>I&amp;C Details</b>		
I&C Date		
Installation Team		