

EH-600T Rev F0 Functional Description and Block Diagram



August , 2014

www.siklu.com

Updated September 2015

Updated February 2018

Table of Contents

1. General Product Description 3

2. EH-600T General Block Diagram..... 4



1. General Product Description

The **EtherHaul-600T** radio provides wireless point-to-point Gigabit Ethernet connectivity over the 57-71GHz unlicensed V-band spectrum. Optimized for small cell backhaul, it is designed to meet mobile service providers' stringent requirements for easily installed, high-capacity, carrier-grade backhaul solutions.

The **EH-600T** is based on Siklu's revolutionary integrated-silicon technology, which results in a highly reliable, zero footprint, and low-cost radio.

The **EH-600T** offers Gigabit throughput, MEF-compliant networking and QoS, enhanced Hitless Adaptive Bandwidth, Coding & Modulation for maximum spectral efficiency, and link availability. It supports network synchronization, advanced OAM&PM tools and ring protection optimized for small cell and mobile backhaul. It features multiple GbE interfaces, supporting complex network topologies, such as daisy chain, ring, and mesh and colocation installation. All in a very small and light outdoor package that is optimized for street level installations and designed to overcome pole sway, twist and/or tilt. The EH-600T is fast, simple and inexpensive to deploy.

EH-600T as the best solution for small cell backhaul features:

- Field proven technology
- Reduced TCO and fast ROI
- All-outdoor invisible footprint
 - Small and light
 - Quick and easy to install
- Optimized for street level deployment
 - Works on poles, walls, traffic lights and more
 - Designed to overcome sway, twist and/or tilt
- Spectrum efficiency
 - Hitless Adaptive Bandwidth Coding and Modulation for high availability
- Advanced layer-2 features:
 - MEF-compliant QoS
 - VLAN, Provider Bridge
 - SLA assurance
- Advanced AES encryption

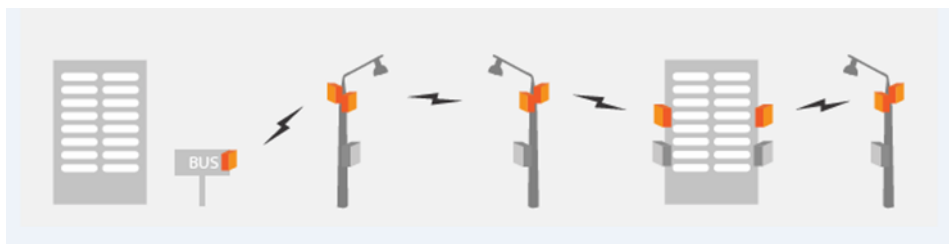


Figure 1 - Small cell deployment diagram

Easily integrated into provider or enterprise networks, out-of-the-box up & running capable, the EtherHaul products provides advanced carrier Ethernet features including cutting-edge, integrated Layer 2 switching and Ethernet OA&M capabilities. Highly-scalable, the EtherHaul products are software-upgradable to support future Layer 2.5/3 networking and routing capabilities as networks evolve to flat-IP topologies.

The EtherHaul products features advanced adaptive modulation, bandwidth and coding - allowing operators to maintain, prioritize, and verify QoS in all weather conditions, while achieving maximum (up to 99.999%) link availability.

Offering easy and low cost all-outdoor installation and a small form factor, the EtherHaul products are also environmentally-friendly - boasting a small system and antenna footprint, and especially low power consumption.

The EtherHaul systems are High-capacity Gigabit Ethernet backhaul, with advanced networking capabilities, at the lowest TCO in the industry. EtherHaul enables mobile operators to profitably and reliably provide data intensive services. Provided by Siklu, the pioneer in silicon based mm-waves backhaul systems, EtherHaul systems are the perfect choice for future proof investment.

2. EH-600T General Block Diagram

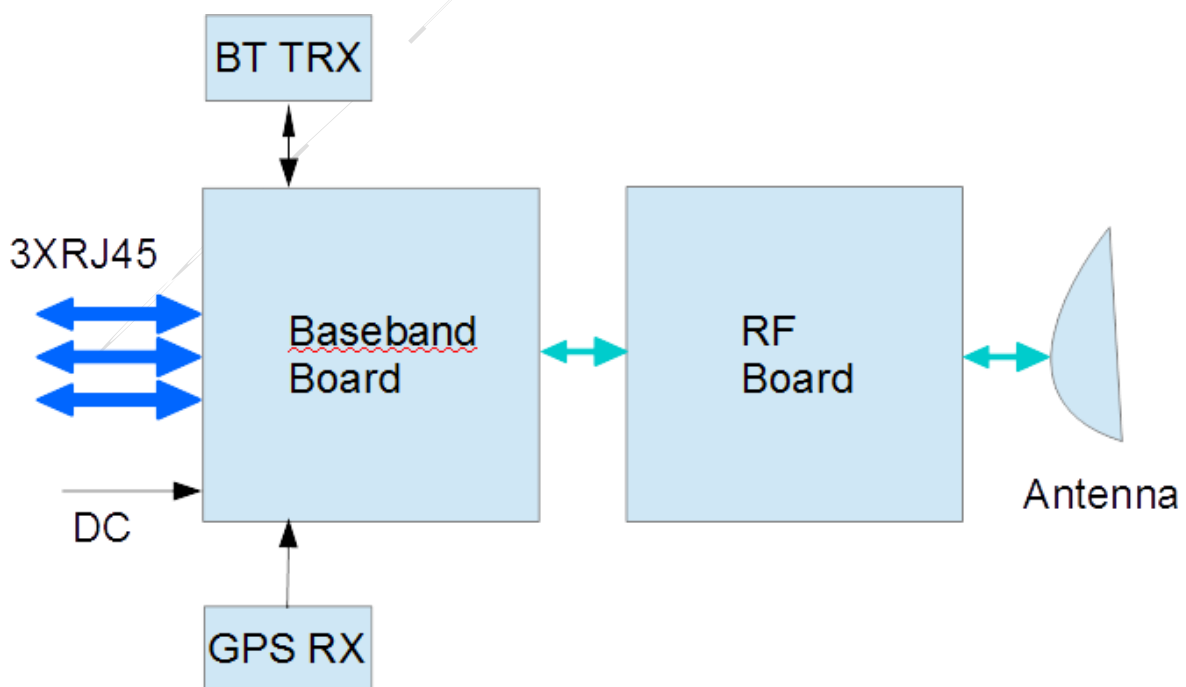


Figure 1: EH-600T Block Diagram

About Siklu

Siklu has been committed to reducing the cost of high capacity wireless backhaul solutions since 2008. The company's success centers on an innovative silicon-based design of the millimetric wave radio system and components that has resulted in the lowest cost millimeter wave systems available. Operating in the uncongested E-band / millimeter wave spectrum, Siklu's EtherHaul systems are ideal for rapid rollouts of high capacity connectivity. Serving providers around the world, Siklu Communication is based near Tel Aviv, Israel.

Siklu Communication Ltd.
43 HaSivim St.
Petach Tikva 49517, Israel
Tel: +972 3 921 4015
Fax: +972 3 921 4162
info@siklu.com

The Siklu logo and EtherHaul™ are trademarks of Siklu Communication Ltd. This brochure is for information purposes only. The details contained in this document, including product and feature specifications, are subject to change without notice. This brochure shall not bind Siklu to provide to anyone a specific product or set of features related thereto.



www.siklu.com