

X5 BLUETOOTH STEREO HEADPHONE



User Manual



Power off: In power on status, press multi-button for 3 seconds to power off headphone. Red LED fast flashes 2 times

Pairing: In power off status, press multi-button for 5 seconds to enter pairing mode. Red LED & Blue LED flashes alternately.

Volume adjust: Short press on Vol+ or Vol- buttons, one level voice volume changes.

Play/Pause: Short press multi-function button, music pause. Press it again, music continues.

Previous: in playing music, press 2 seconds Vol-, music turns to previous one.

Next: in playing music, press 2 seconds Vol+, music turns to next one.

Answer Call: Short press multifunction button to answer the incoming call.

End call: Short press multifunction button, phone call ended.

Reject call: Press Vol+ button for 2 seconds to reject a call.

Transfer call: During the phone call conversation, press Vol+ button for 2 seconds, call switches to mobile phone. Press multifunction button for 2 seconds again, call switches to headphone

Last number redial: in standby status, continuously press headphone multifunction button twice to redial the last number.

Call Mute function: Press Vol- for 2 seconds, call mute. Press Vol- for 2 seconds again, call mute cancel.

Battery Capacity status: When headphone connects to iOS devices, iOS devices show the headphone battery power status on the upper right corner.

Charging: new headphone has enough power for pairing and dialing out for several times. When in low battery, please charging via USB cable for 2 hours. Red LED keep lighting

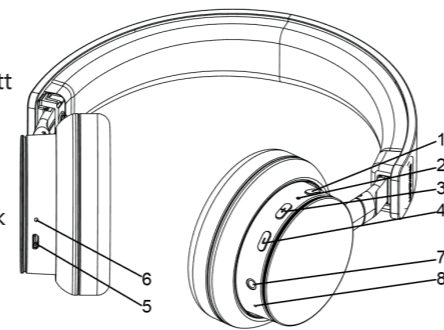
3

To know more about your X5 Bluetooth headphone

Features

1. Bluetooth 4.1+EDR
2. 3.5mm music line-in function
3. apt-X® audio technology
4. Support connecting with 2 phones devices
5. iOS show the headphone battery power status
6. 40mm Speaker

1. Multi function Butt
2. LED indicator
3. Vol +
4. Vol -
5. USB slot
6. Charge LED
7. 3.5mm Audio Jack
8. Mic



How to use

1. General Function

Operation	LED Status
Power on	Blue LED flashes 2 times
Power off	Red LED flashes 2 times
Pairing	Red LED & Blue LED flashes alternately
Incoming call	Blue LED fast flashes
Low battery	Red LED flashes 2 times every 2 seconds
Charging	Red LED on during charging Red LED off charging finished

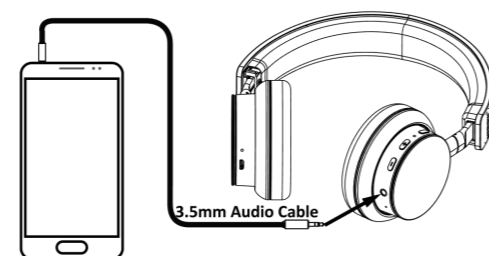
2. Basic Buttons Operation

Power on: In power off status, press multi-button 2 seconds to turn on the headphone. Blue LED flashes 2 times.

during charging, Red LED off after charging finished.

Reset Mode: Connect the headphone to computer via Micro USB cable. When red LED on, headphone reset finished.

3.5mm music line-in function: Connect Audio cable to 3.5mm audio jack for wired music. Phone call function cannot be used in this mode. You can adjust volume button of the audio player or the mobile phone to reach right volume to listen music.



3. Pairing (One headphone support connecting 2 phone devices)

Pairing with one phone or other device

In power off status, press multi-button for 5 seconds to enter pairing mode. Red LED & Blue LED flashes alternately. Activate your phone or device Bluetooth function and search for headphone. From the list of found devices on your mobile phone, select the headphone "X5" to connect it. Follow the instruction to enter "0000" as PIN if the mobile phone reminder to need.

Pairing with two phones or other devices at the same time
This headphone can support 2 devices multi-connection. It can

4

pair with two mobile phones simultaneously, taking the call from any of them.

1, Pairing with phone A first, then power off X5

2, Power on X5 to enter pairing mode, pairing with phone B.

3, In phone A connected list, select X5 to connect, then both phone connected with headphone.

4. Sound quality with apt-X® code

Featuring the apt-X code, the headsets can connect wirelessly to any apt-X® enabled devices, vastly improves the quality of Bluetooth streaming, delivering CD-quality sound.

Kit Contents

- 1, 1 X Stereo Bluetooth headphone X5
- 2, 1 X Charging Micro USB Cable
- 3, 1 X User Manual
- 4, 1 X 3.5mm audio wire

Warning

- 1, You must choose a qualified charger from a regular manufacturer to charge the headphone.
- 2, you must charge the headphone if it has not been used for more than 12 months.

Specification

Bluetooth version:	4.1
Talk time:	14h
Stand-by time:	840h
Music play time:	21h
Wireless range:	10m
Bluetooth profiles:	A2DP/ AVRCP/ HSP /HFP
Impedance:	32Ω
Sound pressure level:	103±3dB
Frequency Response:	20Hz--20 KHz
Weight:	280g
Dimension:	180x200x85mm

FCC Information

This equipment has been tested and found to comply with the limits for a Class B digital device, pursuant to part 15 of the FCC Rules. These limits are designed to provide reasonable protection against harmful interference in a residential installation. This equipment generates, uses and can radiate radio frequency energy and, if not installed and used in accordance with the instructions, may cause harmful interference to radio communications. However, there is no guarantee that interference will not occur in a particular installation. If this equipment does cause harmful interference to radio or television reception, which can be determined by turning the equipment off and on, the user is encouraged to try to correct the interference by one or more of the following measures:

- Reorient or relocate the receiving antenna.
- Increase the separation between the equipment and receiver.
- Connect the equipment into an outlet on a circuit different from that to which the receiver is connected.
- Consult the dealer or an experienced radio/TV technician for help.

The device has been evaluated to meet general RF exposure requirement. The device can be used in portable exposure condition without restriction.

This device complies with part 15 of the FCC Rules. Operation is subject to the following two conditions: (1) This device may not cause harmful interference, and (2) this device must accept any interference received, including interference that may cause undesired operation.

Any Changes or modifications not expressly approved by the party responsible for compliance could void the user's authority to operate the equipment.

The device has been evaluated to meet general RF exposure requirement. The device can be used in portable exposure condition without restriction.

5