

F6PA

Wireless Stereo Headphone



User Manual



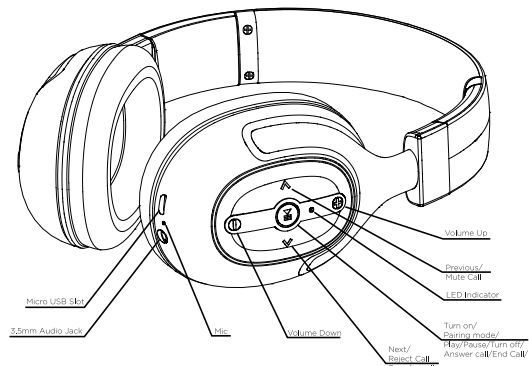
Get started

Congratulations! Thank you for choosing F6PA BT stereo headphone. Before using F6PA, users should read this manual to familiarize themselves with the BT functions of your mobile phone or other devices.

Features

1. BT 4.1
2. 3.5mm music line-in function
3. Support connecting with 2 phone devices
4. The headphone battery power status showed on iOS
5. aptx® audio technology

Connection Diagram



2

How to use

1. General Function

Operation	LED Status
Power on	Blue LED flashes 2 times
Power off	Red LED flashes 2 times
Pairing	Red LED & Blue LED flashes alternately
Standby	Blue LED flashes 3 times in 5 seconds
Incoming call	Blue LED slow flash
Low battery	Red LED flashes 2 times every 2 seconds
Charging	Red LED keeps lighting during charging Blue LED keeps lighting charging finished

2. Basic Buttons Operation

Power on: Press multifunction button “▶||” for 2 seconds. Blue LED flashes 2 times. Headphone turned on.

Power off: Press multifunction button “▶||” for 3 seconds. Red LED turn off after flashes 2 times, Headphone turned off.

Volume adjust: Press volume up “+” or volume down button “-”, then one level volume changes. When volume reaches to Max or Minimum, “Tick” reminding voice occurs.

Play/Pause: Short press multifunction button “▶||”, music pauses. Press it again, music continues.

3

Previous: Short press previous button “<”, music turns to previous one.

Next: Short press next button “>”, music turns to next one.

Answer Call: Short press multifunction button “▶||” to answer the incoming call.

End call: Short press multifunction button “▶||”, phone call ended.

Reject call: Press Volume up button “+” for 2 seconds to reject a call.

Transfer call: During the phone call conversation, press volume up button “+” for 2 seconds, call switched to mobile phone. Press volume up button “+” for 2 seconds again, call switched to headphone.

Last number redial: In standby status, continuously press headphone multifunction button “▶||” twice to redial the last number.

Call Mute function: Press Volume down button “-” for 2 seconds, call mute. Press volume down button “-” for 2 seconds again, call mute function cancelled.

Battery Capacity status: When headphone is connected to iOS devices, iOS devices show the headphone battery power status on the upper right corner.

Charging: New headphone has enough power for pairing and dialing out for several times. When in low battery, please charge via USB cable for 2 hours. Red LED keeps lighting during charging, blue LED keeps lighting, charging finished.

4

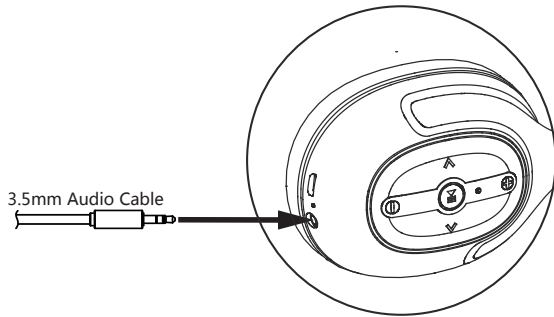
Reset Mode: Connect the headphone to computer via Micro USB cable. When red LED light flashes, eadphone reset finished.

3.5mm music line-in function : Connect audio line in cable to 3.5 audio jack for wired music. (Phone call function cannot be used in this mode.)

Auto power off: Headphone will auto power off without connecting in 30 minutes

The headphone is off status.

- A) Connect the 3.5 audio wire to the headphone and audio player.
- B) You can adjust volume bottom of the audio player or music player to reach right volume to listen music.



Pairing (One headphone supports connecting 2 phone devices)

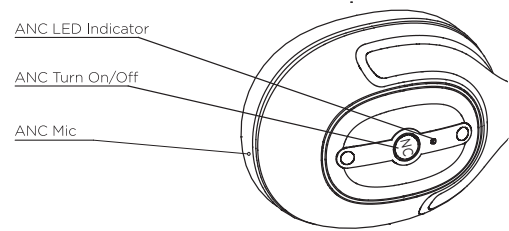
Pairing with one phone or other devices

Make sure the headphone is powered off.

Press and hold the multifunctional button for 5 seconds to enter into the pairing mode.

After red LED & blue LED flash alternately, there will be smart voice reminding entering into pairing mode. Activate BT function on your phone or device and search for headphone. From the list of found devices on your mobile phone, select the headphone "F6PA" to connect it. Follow the instruction to enter "0000" as PIN if the mobile phone reminder appears. Headphone or device can be used to play your phone music or dial phone call etc.

Active noise cancellation function(ANC)



When there is too much noise in surroundings, Short press the ANC key, ANC function can effectively remove 90% of low frequency noise environment, provides excellent and beautiful high quality sound.

Ensure that minimize the environment to the user.

Pairing with two phones or other devices at the same time

This headphone can support multi-connection to 2 devices. It can pair with two mobile phones simultaneously, taking the call from any of them. After completing pairing with the first phone, turn off the headphone, then re-do the paring procedure with another phone. Once finished the pairing, restart the headphone, it will automatically connect to the phone or device of last connected. Short pressing the two keys of volume "+" and volume "-" simultaneously can enable the multipoint Connect function. From the list of found devices on another mobile phone, select the headphone "F6PA" to connect it.

4, Sound quality with Aptx code

Featuring the apt-X code, the headsets can connect wirelessly to any apt-X enabled devices, vastly improving the quality of BT streaming and delivering CD-quality sound.

Kit Contents

- 1. 1 X Stereo BT headphone F6PA
- 2. 1 X Charging micro USB cable
- 3. 1 X User manual
- 4. 1 X 3.5mm audio wire

Warning

- 1. You must choose a qualified charger from a regular manufacturer to charge the headphone.
- 2. You must charge the headphone if it has not been used for more than 12 months.

Specification

BT version:	4.1
Talk time:	22h
Stand-by time:	900h
Music play time:	20h
Wireless range:	10m
Wireless profiles:	A2DP/ AVRCP/ HSP /HFP
Impedance:	32Ω
Sound pressure level:	115 ±3dB
Frequency Response:	20Hz---20KHz
Weight:	270g
Dimension:	190 x 164 x 75mm

FCC Information and Copyright

This equipment has been tested and found to comply with the limits for a Class B digital device, pursuant to part 15 of the FCC Rules. These limits are designed to provide reasonable protection against harmful interference in a residential installation. This equipment generates, uses and can radiate radio frequency energy and, if not installed and used in accordance with the instructions, may cause harmful interference to radio communications. However, there is no guarantee that interference will not occur in a particular installation. If this equipment does cause harmful interference to radio or television reception, which can be determined by turning the equipment off and on, the user is encouraged to try to correct the interference by one or more of the following measures:

- Reorient or relocate the receiving antenna.
- Increase the separation between the equipment and receiver.
- Connect the equipment into an outlet on a circuit different from that to which the receiver is connected.
- Consult the dealer or an experienced radio/TV technician for help.

This device complies with part 15 of the FCC Rules. Operation is subject to the following two conditions: (1) This device may not cause harmful interference, and (2) this device must accept any interference received, including interference that may cause undesired operation.

changes or modifications not expressly approved by the party responsible for compliance could void the user's authority to operate the equipment. This equipment complies with FCC radiation exposure limits set forth for an uncontrolled environment. The device has been evaluated to meet general RF exposure requirement. The device can be used in portable exposure condition without restriction.