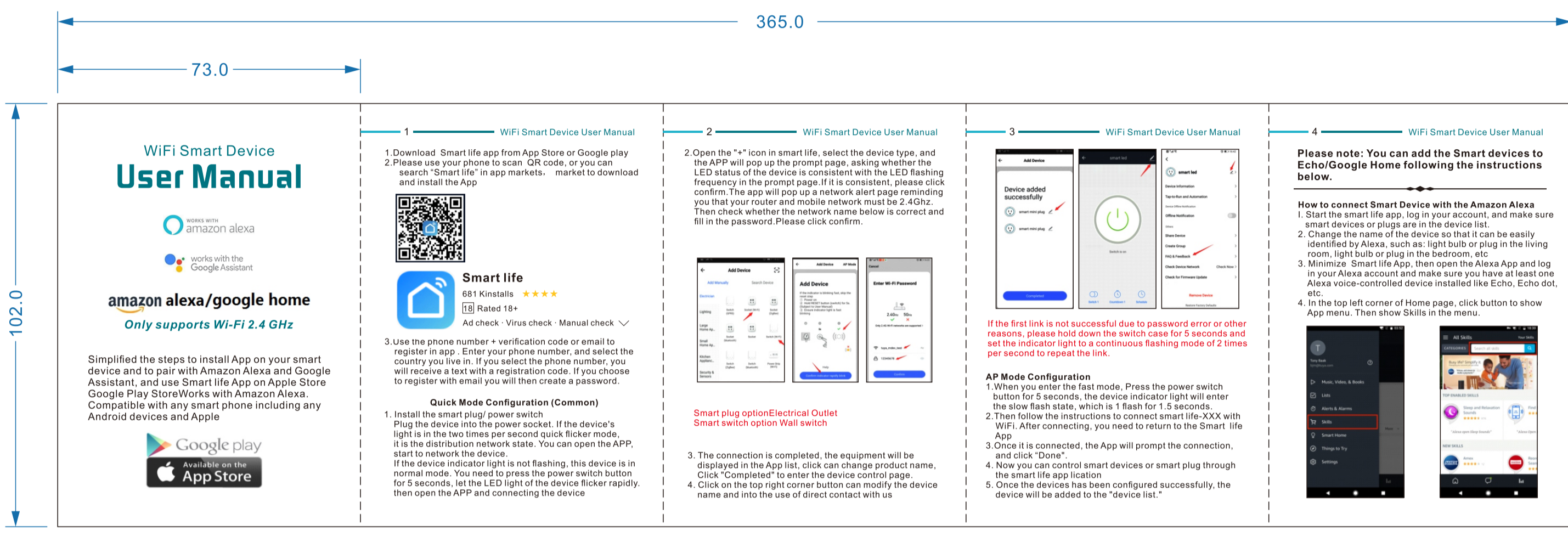


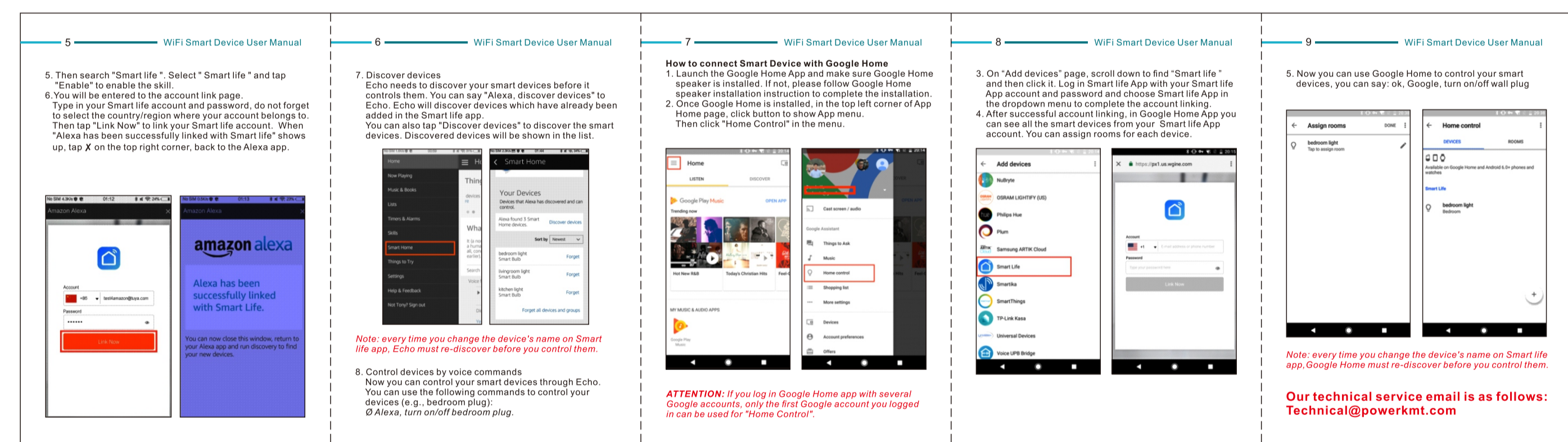
ECN NO.	编号	日期	变更内容	变更者

PANTONE 7474C

PANTONE 631C

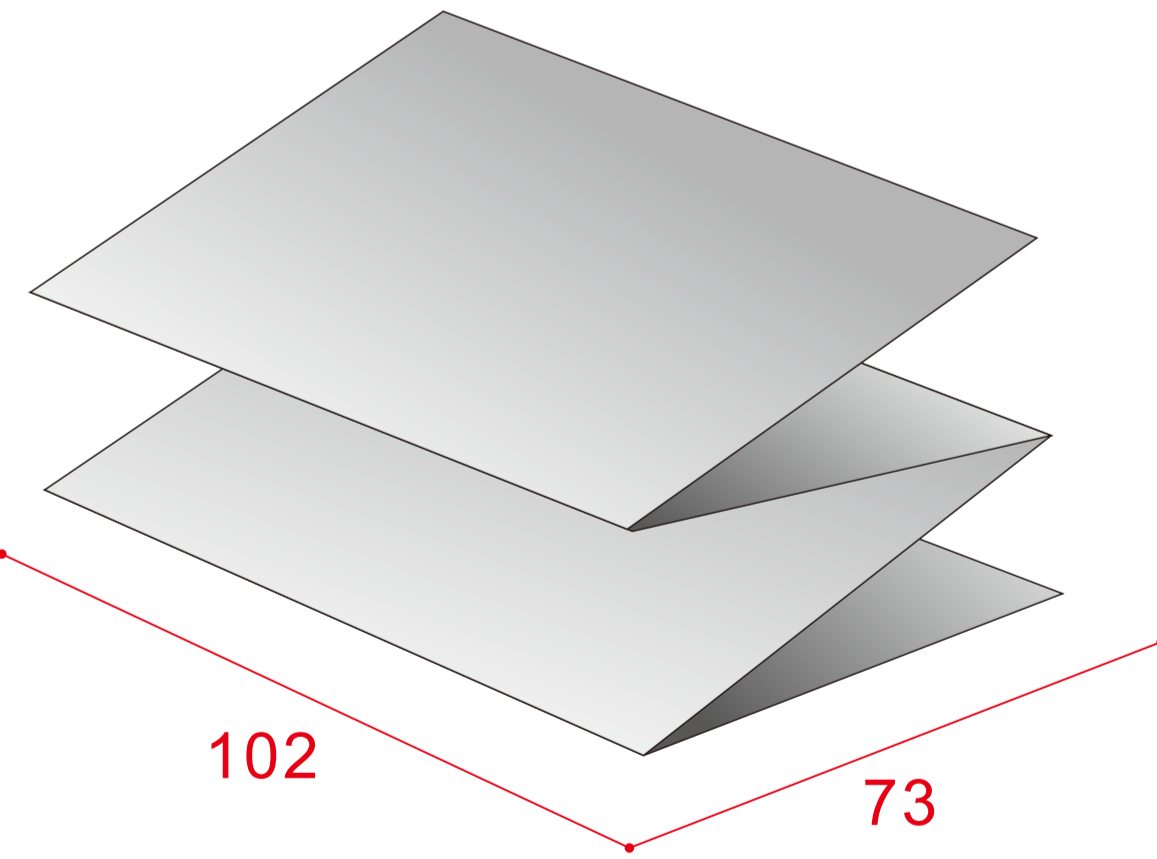


正面



背面

尺寸	365*102mm
材质	80g双胶纸
爆破强度	kgf/cm ² 以上
印刷颜色	4C+专色
表面处理	
制作要求	无划花、破损、脏污、受潮。
备注:	



折页方式

产品基本信息	工厂型号	智能插座
	客户名称	通用
	客户型号	智能插座

杭州凯特电器有限公司

HANGZHOU KAITE ELECTRICAL APPLIANCE CO.,LTD.

图面公差	设计	Q.A.H	日期	2020-03-06	机种	智能插座	名称	说明书
	审核		日期		料号		图号	
	核定		日期		比例	1:1	单位	mm
					视图		版本	A0

FCC Caution

This device complies with part 15 of the FCC Rules. Operation is subject to the following two conditions:

- (1) This device may not cause harmful interference, and
- (2) this device must accept any interference received, including interference that may cause undesired operation.

Any Changes or modifications not expressly approved by the party responsible for compliance could void the user's authority to operate the equipment.

MPE Requirements

<note: applied for device with distance > 20cm from end-user>

To satisfy FCC RF exposure requirements, a separation distance of 20 cm or more should be maintained between the antenna of this device and persons during device operation. To ensure compliance, operations at closer than this distance is not recommended.