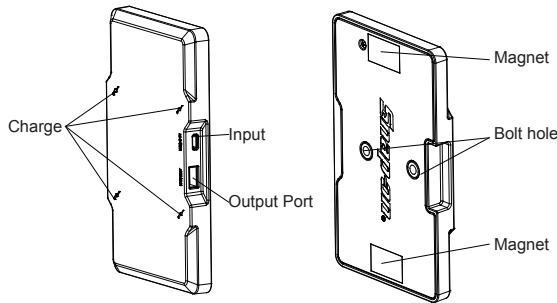


Made in China

Product Description:

- Wireless dynamic charging system allow partial recharging.
- Only work with Snap-on wireless lamps and accessories.
- Recharge using the bi-directional USB-C connection.
- Equipped with built-in magnets.
- Charge external devices with built-in USB charging port, output: DC5V 1A.
- Pack delivered with 5V 3.5A charger, Input: AC100-240V, Output: DC5V 3.5A

Product Details:



Replacement Parts:

- ECFLPRA0-7 - 5V 3.5A USB-C Charger



- Do not use the wireless charging base near open flames.
- Do not charge the wireless smartphones.

FCC Warning

Any Changes or modifications not expressly approved by the party responsible for compliance could void the user's authority to operate the equipment.

This device complies with part 15 of the FCC Rules. Operation is subject to the following two conditions: (1) This device may not cause harmful interference, and (2) this device must accept any interference received, including interference that may cause undesired operation.

Note: This equipment has been tested and found to comply with the limits for a Class B digital device, pursuant to part 15 of the FCC Rules. These limits are designed to provide reasonable protection against harmful interference in a residential installation. This equipment generates, uses and can radiate radio frequency energy and, if not installed and used in accordance with the instructions, may cause harmful interference to radio communications. However, there is no guarantee that interference will not occur in a particular installation. If this equipment does cause harmful interference to radio or television reception, which can be determined by turning the equipment off and on, the user is encouraged to try to correct the interference by one or more of the following measures:

—Reorient or relocate the receiving antenna.

—Increase the separation between the equipment and receiver.

—Connect the equipment into an outlet on a circuit different from that to which the receiver is connected.

—Consult the dealer or an experienced radio/TV technician for help.

FCC Radiation Exposure Statement

This equipment should be installed and operated with minimum distance 15cm between the radiator& your body. This transmitter must not be co-located or operating in conjunction with any other antenna or transmitter.

Warranty/Service:

- 1 year warranty covering defects in material and workmanship
- For service, please send to the appropriate repair center below

Eastern Repair Center (USA)
6320 Flank Dr.
Harrisburg, PA 17112
USA
Toll Free # - USA only:
(800) 848-5067
Telephone: (717) 652-7914
Fax: (717) 652-7123

Northern Repair Center (USA)
3011 E. RT 176, Dock 8
Crystal Lake, IL 60014
USA
Toll Free # - USA only:
(877) 777-4412
Telephone: (815) 479-6850
Fax: (815) 479-6857

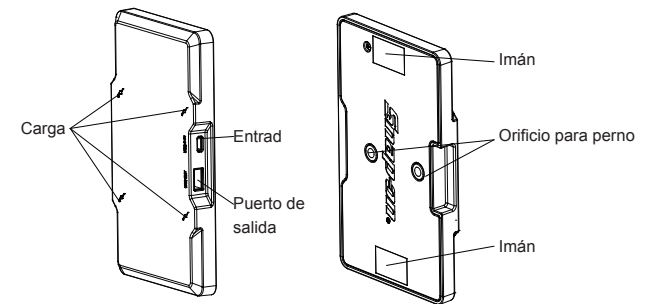
Western Repair Center (USA)
3602 Challenger Way
Carson City, NV 89706-0753
USA
Toll Free # - USA only:
(888) 762-7972
Telephone: (775) 883-8585
Fax: (775) 883-8590

Hecho en China

Descripción del producto:

- El sistema de carga dinámica inalámbrico permite la recarga parcial.
- Funciona solamente con lámparas y accesorios inalámbricos Snap-on.
- Recárguela con la conexión USB-C bidireccional.
- Equipado con imanes integrados.
- Cargue dispositivos externos con el puerto de carga USB incorporado, Salida: 5Vcc 1A
- El paquete incluye cargador USB-C de 5V 3.5A; Entrada: 100-240Vca; Salida: 5Vcc 3.5A

Datos del producto:



Piezas de replazo:

- ECFLPRA0-7 - 5V 3.5A Cargador USB -C



- No uses la base de carga inalámbrica cerca de llamas abiertas.
- No cargue los smartphones inalámbricos.

Garantía/ Servicio:

- 1 año de garantía que cubre defectos en materiales y mano de obra
- Para el servicio, por favor envíe al centro de reparación adecuada a continuación

Centro de Reparación del Este (EE.UU.)
6320 Flank Dr.
Harrisburg, PA 17112
EE.UU.
Teléfono Gratuito # - sólo EE.UU.
(800) 848-5067
Teléfono: (717) 652-7914
Fax: (717) 652-7123

Centro de Reparación del Norte (EE.UU.)
3011 E. RT 176, Dock 8
Crystal Lake, IL 60014
EE.UU.
Teléfono Gratuito # - sólo EE.UU.
(877) 777-4412
Teléfono: (815) 479-6850
Fax: (815) 479-6857

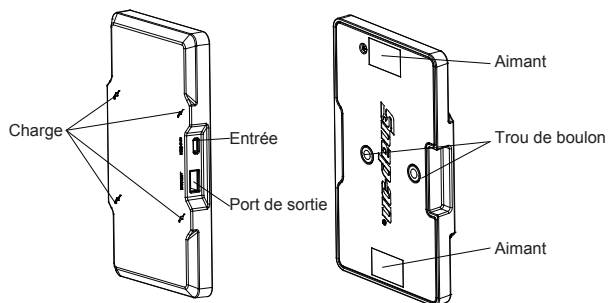
Centro de Reparación del Oeste (EE.UU.)
3602 Challenger Way
Ciudad de Carson, NV 89706-0753
EE.UU.
Teléfono Gratuito # - sólo EE.UU.
(888) 762-7972
Teléfono: (775) 883-8585
Fax: (775) 883-8590

Description du produit:

Fabriqué en Chine

- Le système de chargement dynamique sans fil permet un rechargement partiel.
- Ne fonctionne qu'avec des lampes sans fil et des accessoires Snap-on.
- Rechargez en utilisant la connexion USB-C bidirectionnelle.
- Équipé d'aimants intégrés.
- Chargez des appareils externes avec un port de chargement USB intégré, sortie : DC5V 1A
- Paquet livré avec un chargeur USB-C 5V 3.5A ; Entrée : AC100 - 240V ; Sortie : DC5V 3.5A

Détails du produit:



Pièces de remplacement :

- ECFLPRA0-7 - 5V 3.5A USB-C chargeur

MISE EN GARDE



- N'utilisez pas la base de charge sans fil à près des flammes nues.
- Ne chargez pas les smartphones sans fil.

Garantie/Service:

- Garantie de 1 année couvrant les défauts de matériaux et de fabrication
- Pour le service, veuillez envoyer au centre de réparation approprié ci-dessous

Centre De Réparation Est (États-Unis)

6320 Flank Dr.
Harrisburg, PA 17112
États-Unis

Numéro Sans Frais # - États-Unis seulement:

(800) 848-5067

Téléphone: (717) 652-7914

Télécopieur: (717) 652-7123

Centre De Réparation Nord (États-Unis)

3011 E. RT 176, Quai 8
Crystal Lake, IL 60014
États-Unis

Numéro Sans Frais # - États-Unis seulement:

(877) 777-4412

Téléphone: (815) 479-6850

Télécopieur: (815) 479-6857

Centre de Réparation Ouest (États-Unis)

3602 Challenger Way
Carson City, NV 89706-0753
États-Unis

Numéro Sans Frais # - États-Unis seulement:

(888) 762-7972

Téléphone: (775) 883-8585

Télécopieur: (775) 883-8590

Fabriqué en Chine

Snap-on et wrench « S » sont des marques de commerce de Snap-on Incorporated.

©2019 Snap-on Incorporated.

Imprimé en Chine.

Snap-on, 2801 80th St., Kenosha, WI 53143

www.snapon.com