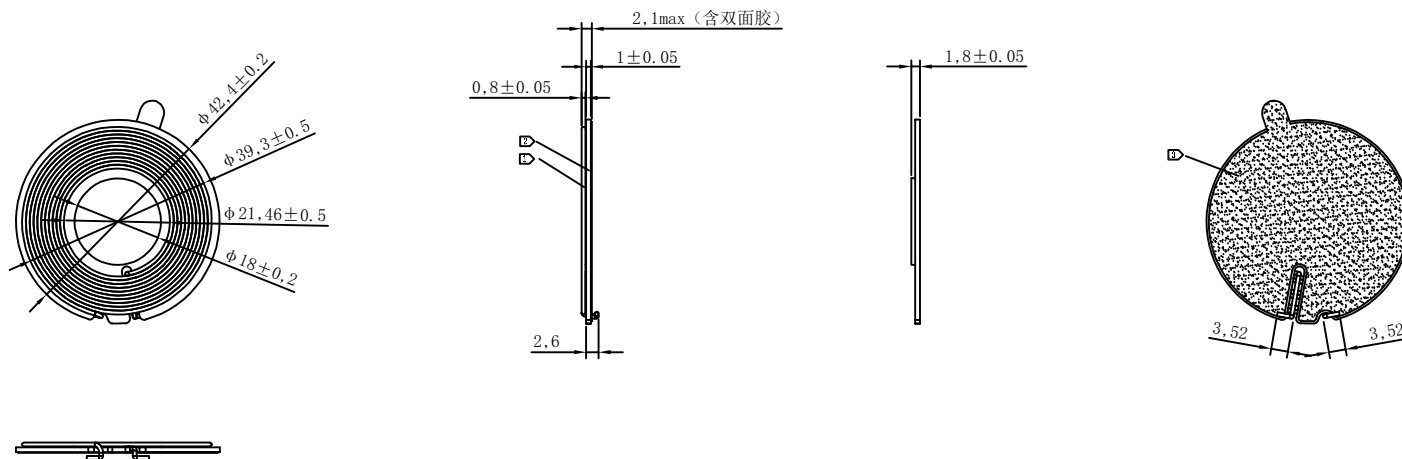


REV.	ECN. RECORD	DATE	APPD.
V1.0	发行初版	20230612	xu

UNIT: mm



Wire specification			Winding specification		
Diameter	Strands	Enamel-cover type	Turns	Strands	Layer
0.08 (AWG40)	65	Grade 2	11	1	1
Electrical specification			Shielding		
RDC (Max)	RAC (Max)	Inductance	Material	Permeability	Bs
70m ohm	150m ohm	8.4uH ± 5%	DMR95	$\mu'' @ 100\text{kHz} = 3300 \pm 20\%$	$\mu'' @ 100\text{kHz} \leq 500$
Test conditions: 360k/1V					$\geq 300\text{mT}$

7			TOLERANCE UNLESS OTHERWISE SPECIFIED (±) DIMENSIONS ARE IN MILLIMETERS TOLERANCES 0<-<math>2</math> ±0.05 2<-<math>10</math> ±0.08 10<-<math>50</math> ±0.10 50<-<math>100</math> ±0.20 100<-<math>200</math> ±0.30 200<- ±0.40 ANGLES ±0.50° ■=CRITICAL DIM △=PROCESS DIM		INTENDED USE: CPS822X		TITLE: Coil_CPS822X	
6					APPD.:	P/N:		
5					CHKD.:	SCALE: 1:1	PAGE: 1/1	
4	双面胶带撕手位				DR.:	xu 20230612	UNIT: mm	REV.: V1.0
3	Ferrite							
2	Litz wire							
1	材料	标记						