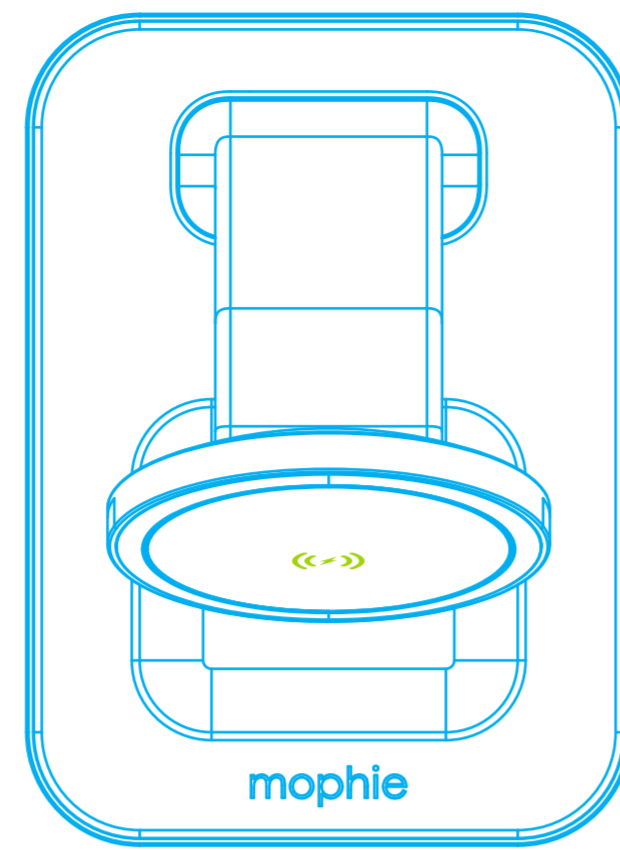
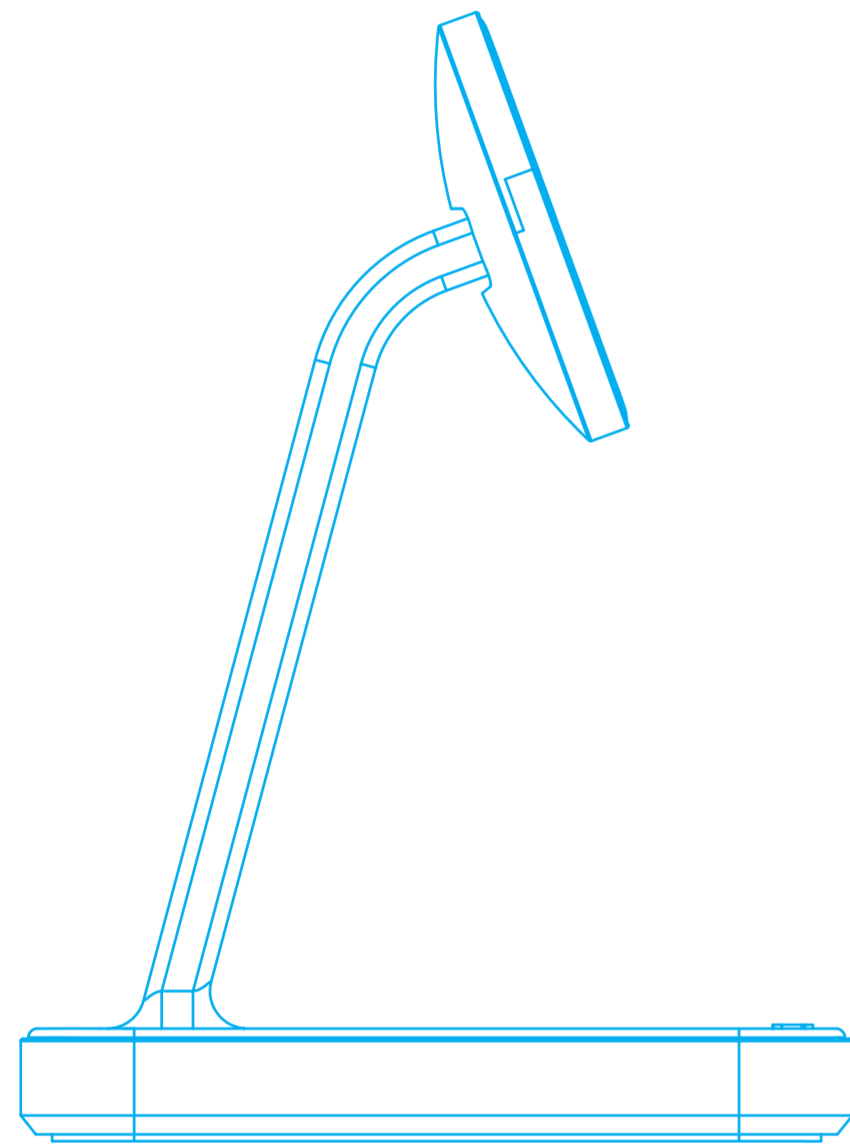
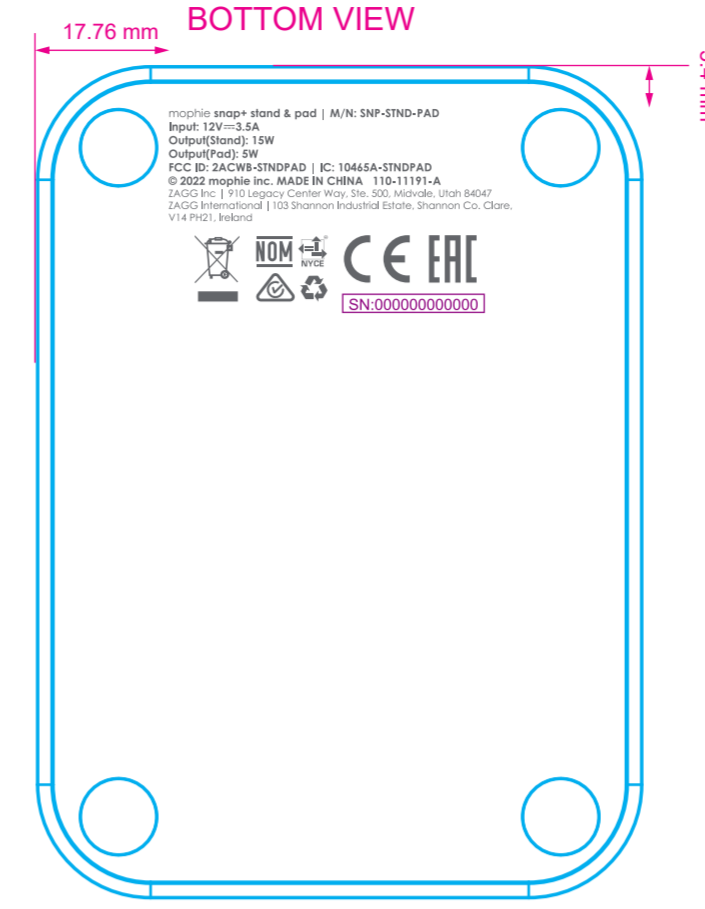


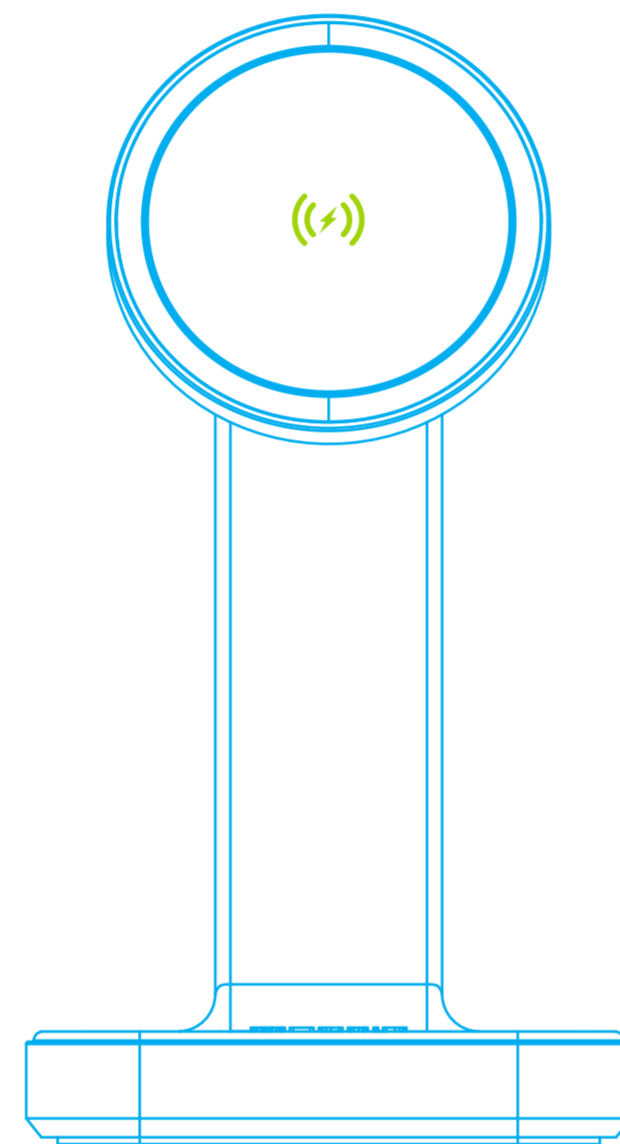
TOP VIEW



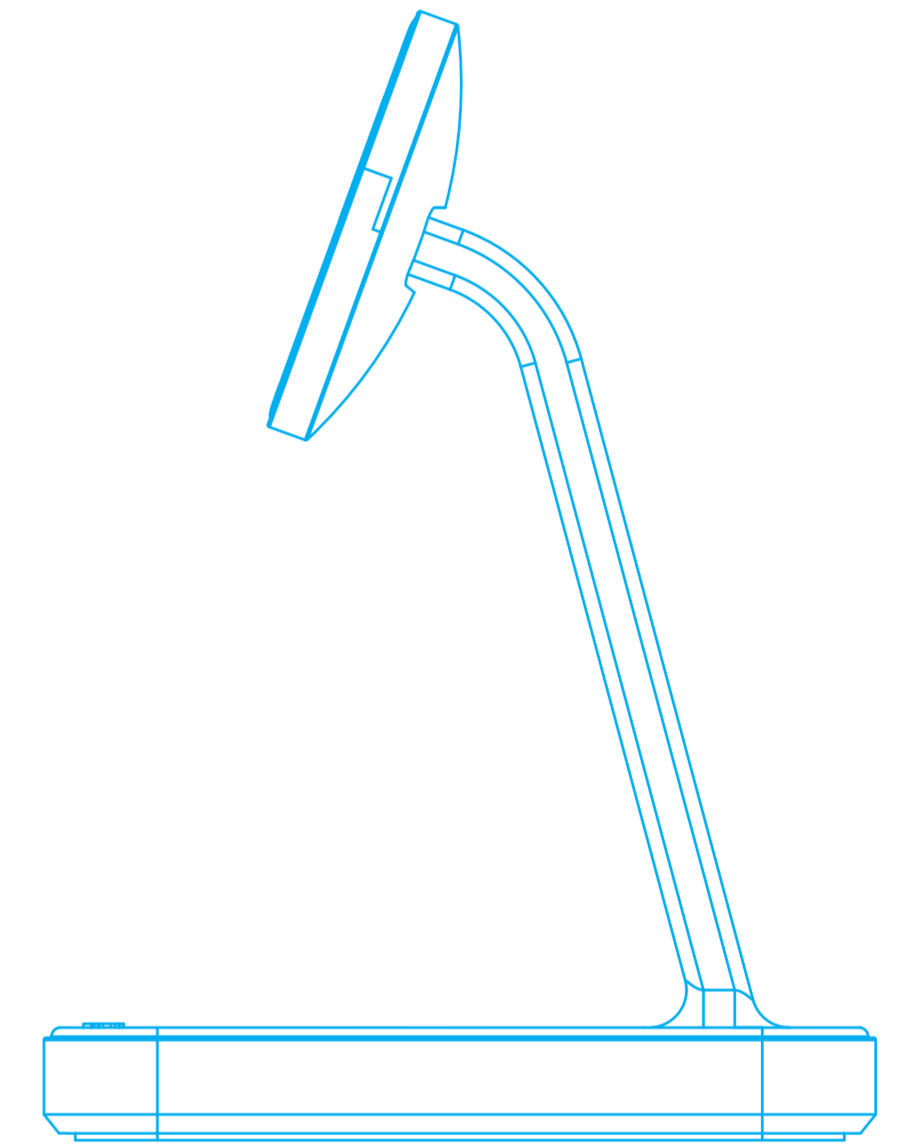
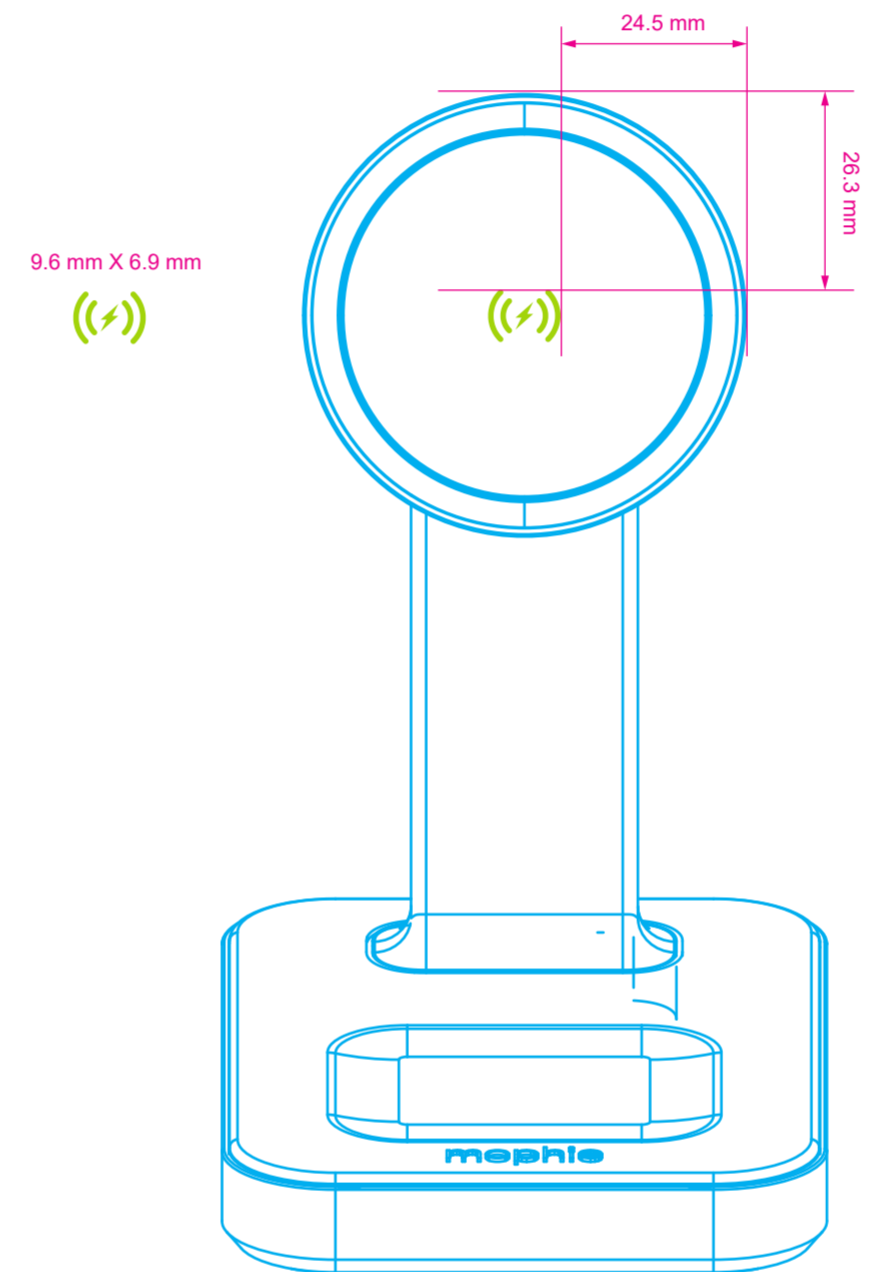
BOTTOM VIEW



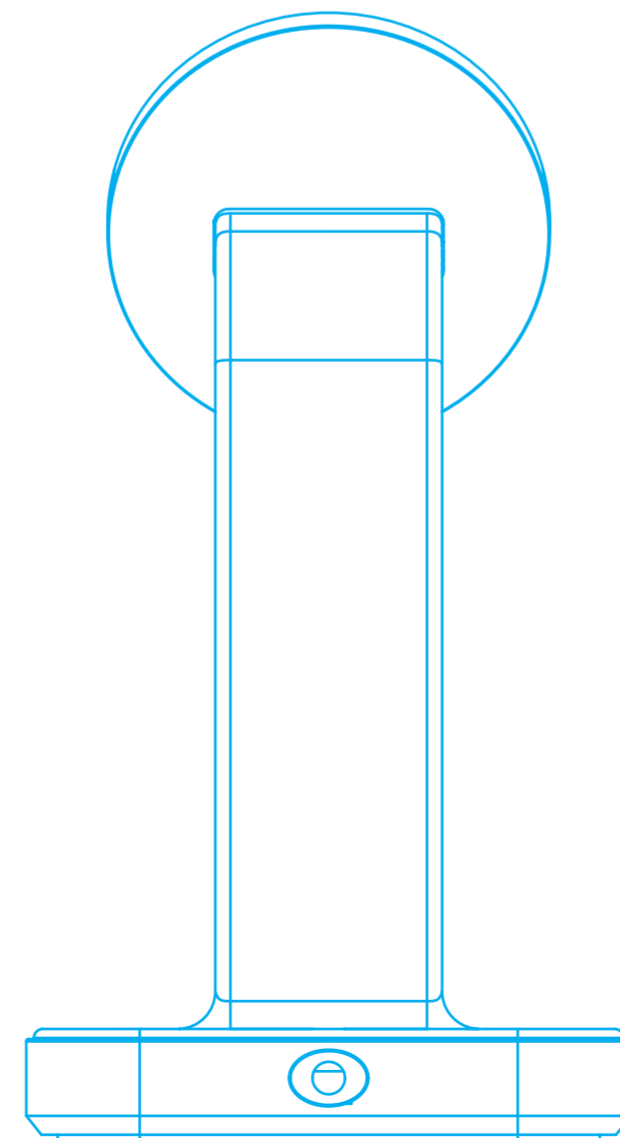
LEFT SIDE VIEW



FRONT VIEW



RIGHT SIDE VIEW



BACK VIEW

ARTWORK OK for PVT

	<p>PROJECT: SNAP+ 2-in-1 Wireless Stand_Device Padprint PART NUMBER: UNITS: Millimeters ID: Dat PRODUCTION ARTIST: Vincent PDM: Hank.Y PCM: Tomo DATE: 11/06/22 ARENA: 110-11191-A</p>	<p>COLORS:</p> <ul style="list-style-type: none"> ● PMS Cool gray 10C (pad print label information, mophie logo and icons) ● Laser etch ● PMS 375C (Wireless charging icon) 	<p>SPECIAL INSTRU CTIONS:</p> <ul style="list-style-type: none"> • 11/06/21: Initial version for EVT. • 04/07/22: Updated version for DVT. • 04/11/22: Updated Arena number, FCC ID and M/N for PVT. • 04/13/22: Updated parameters.
--	--	---	--

110-11191-A_SNAP+ 2-in-1 Wireless Stand_Device Padprint_English