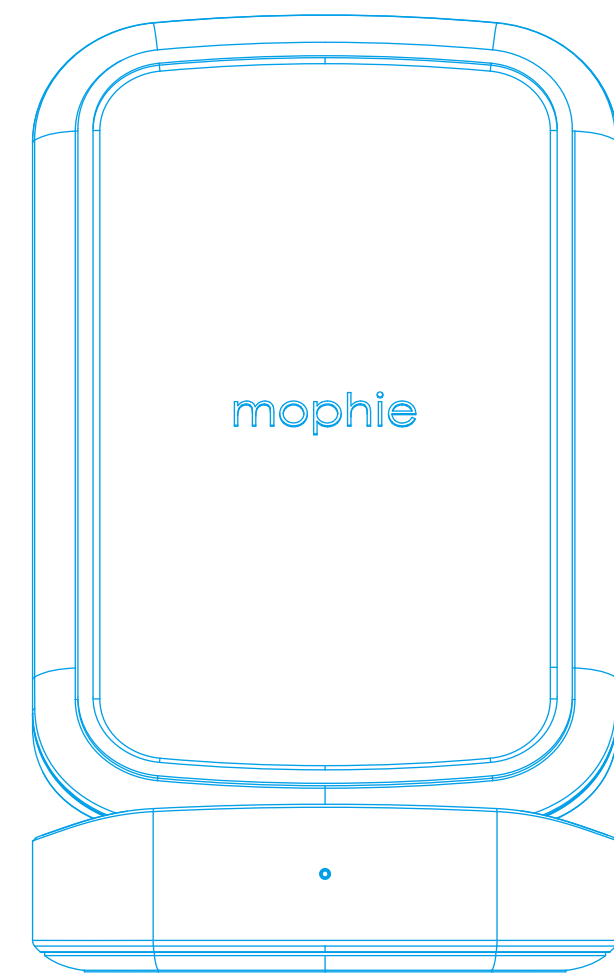
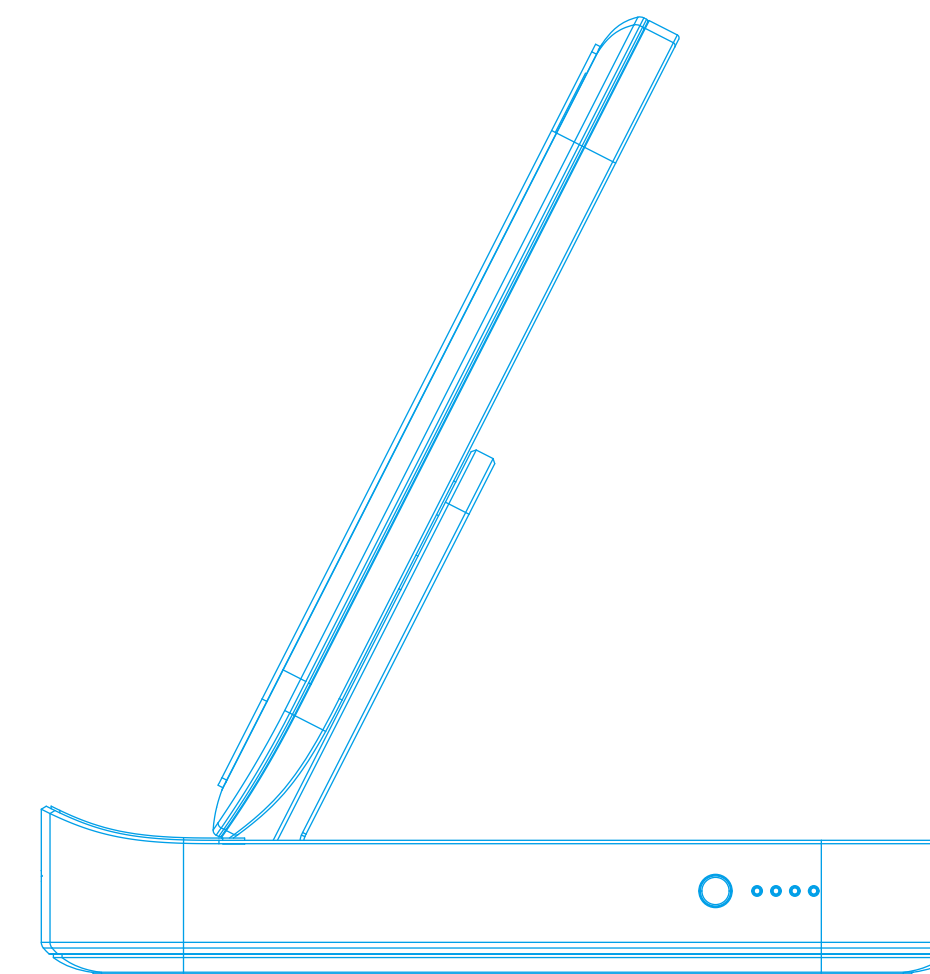


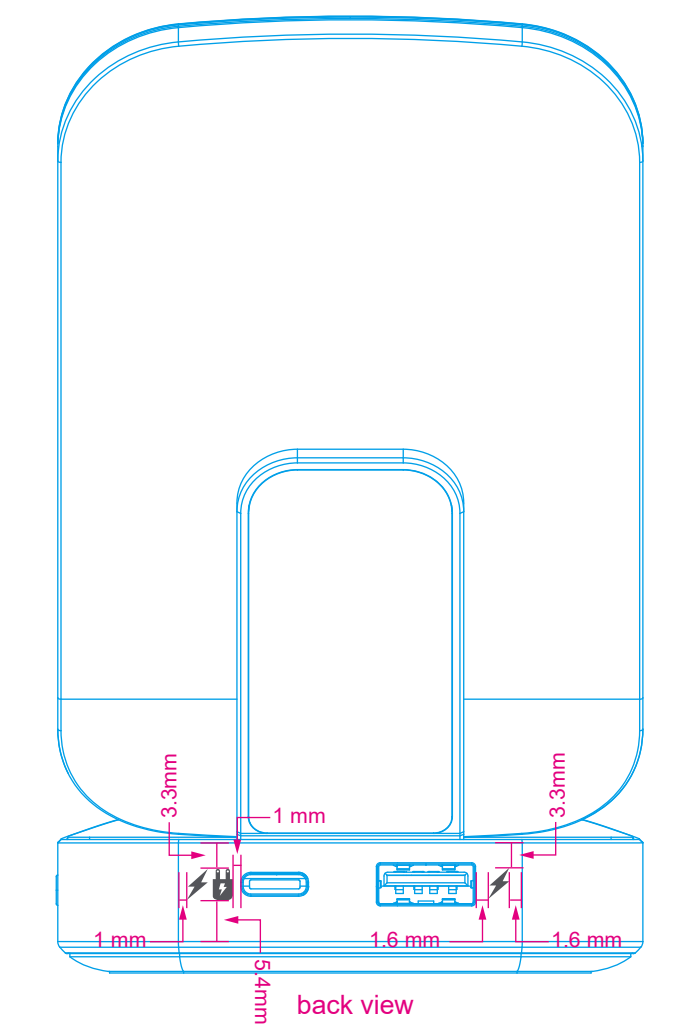
top view



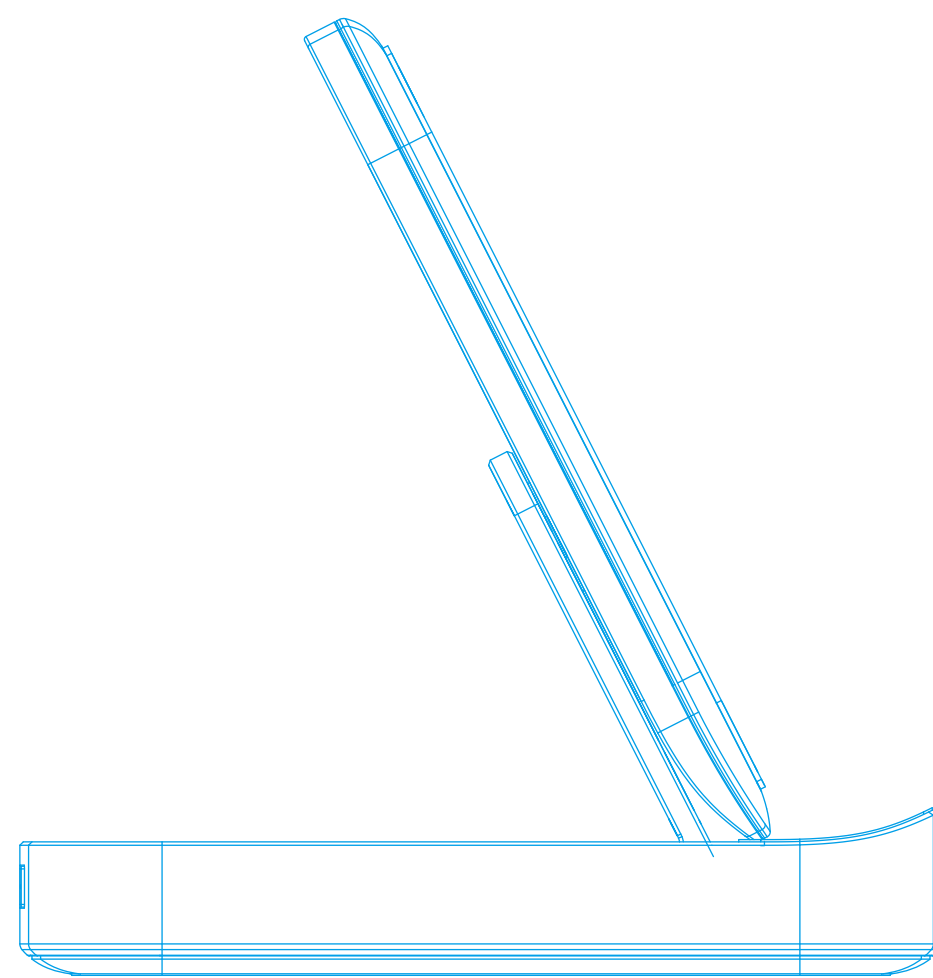
front view



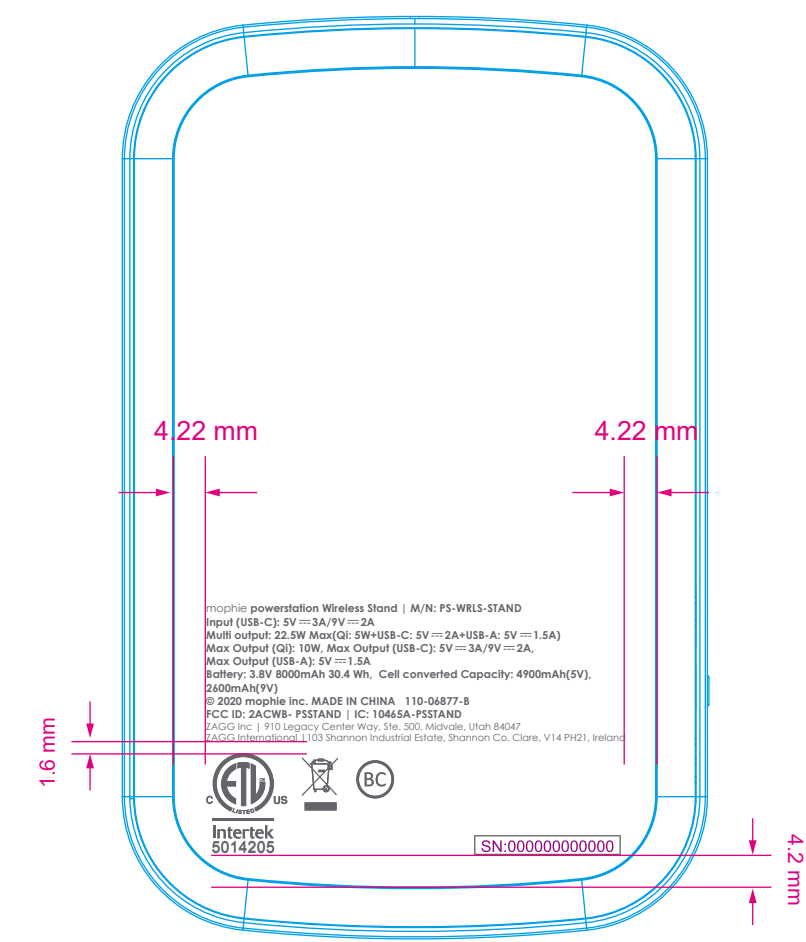
right view



back view



left view



bottom view

mophie powerstation Wireless Stand | M/N: PS-WRLS-STAND  
 Input (USB-C): 5V = 3A, 9V = 3A  
 Multi output: 22.5W Max(QI), 5W+5W+5W, 5V = 2A+5W, 5V = 1.5A  
 Max Output (USB-C): 22.5W Max(QI), 5W+5W+5W, 5V = 2A+5W, 5V = 1.5A  
 Max Output (USB-A): 5V = 1.5A  
 Battery: 3.8V 4000mAh 34.8Wh, Cell converted Capacity: 4000mAh(QI)  
 Dimensions (H x W x D): 110 x 42 x 22 mm  
 © 2020 mophie inc. MADE IN CHINA 110-06877-B  
 FCC ID: S14205 PS-WRLS-STAND | IC: 7586A-PS-WRLS-STAND  
 CECC ID: 110-06877-B  
 Intertek 5014205

**ARTWORK OK for DVT**

<p>mophie</p>	<p>PROJECT: Pad Printing   Device Label   PS-WRLS-STAND</p> <p>PART NUMBER:</p> <p>UNITS: Millimeters</p> <p>ID: Dat Dang</p> <p>PRODUCTION ARTIST: Vincent</p> <p>PDM: George Wang</p> <p>PCM: Debbie</p> <p>DATE: 06/22/20</p> <p>ARENA: 110-06877-B</p>	<p>COLORS:</p> <ul style="list-style-type: none"> <li>● Pantone Cool Gray 10C</li> <li>● Laser etched SN#</li> </ul>	<p>SPECIAL INSTRUC TIONS:</p> <ul style="list-style-type: none"> <li>• 04/10/20: Initial version.</li> <li>• 06/22/20: Updated Multi output: 22.5W Max(QI); 5W +USB-C; 5V = 2A+USB-A; 5V = 1.5A)</li> <li>• 07/16/20: Updated Cell converted capacity</li> </ul>
	<p>Pad Printing   Device Label   PS-WRLS-STAND   English</p>		