

FCC ID:2ACWB-CHGMAT4

Product Name: mophie 4 device charging mat
Trademark: mophie
Model/Type Ref.: WRLS-CHGMAT
Prepared For: mophie LLC
Address: 6244 Technology Ave. Kalamazoo,MI 49009 U.S.A.
Manufacturer: mophie LLC
Address: 6244 Technology Ave. Kalamazoo,MI 49009 U.S.A.
Prepared By: Shenzhen BCTC Testing Co., Ltd.
Address: BCTC Building & 1-2F, East of B Building, Pengzhou Industrial, Fuyuan 1st Road, Qiaotou Community, Fuyong Street, Bao'an District, Shenzhen, China
Sample Received Date: Aug. 21, 2020
Sample tested Date: Aug. 21, 2020 to Sep. 09, 2020
Issue Date: Sep. 09, 2020
Report No.: BCTC2008002562-1E
Test Standards: FCC Part15.209
ANSI C63.10-2013
Test Results: PASS

Compiled by:

Willem Wang

Willem Wang

Reviewed by:

Eric Yang

Eric Yang

Approved by:


Zero Zhou/Manager

The test report is effective only with both signature and specialized stamp. This result(s) shown in this report refer only to the sample(s) tested. Without written approval of Shenzhen BCTC Testing Co., Ltd, this report can't be reproduced except in full. The tested sample(s) and the sample information are provided by the client.

TABLE OF CONTENT

Test Report Declaration	Page
1. VERSION	3
2. TEST SUMMARY	4
3. MEASUREMENT UNCERTAINTY	5
4. PRODUCT INFORMATION AND TEST SETUP	6
4.1 Product Information	6
4.2 Test Setup Configuration	6
4.3 Support Equipment	7
4.5 Test Mode	7
4.6 Copy of marking plate	7
5. TEST FACILITY AND TEST INSTRUMENT USED	8
5.1 Test Facility	8
5.2 Test Instrument Used	8
6. CONDUCTED EMISSIONS	10
6.1 Block Diagram Of Test Setup	10
6.2 Limit	10
6.3 Test procedure	10
6.4 EUT operating Conditions	10
6.5 Test Result	11
7. RADIATED EMISSIONS	13
7.1 Block Diagram Of Test Setup	13
7.2 Limit	14
7.3 Test procedure	14
7.4 Test Result	16
8. EUT PHOTOGRAPHS	19
9. EUT TEST SETUP PHOTOGRAPHS	21

(Note: N/A means not applicable)

1. VERSION

Report No.	Issue Date	Description	Approved
BCTC2008002562-1E	Sep. 09, 2020	Original	Valid

2. TEST SUMMARY

The Product has been tested according to the following specifications:

No.	Test Parameter	Clause No	Results
1	Conducted Emission	15.207	PASS
2	Radiated Emission	15.209	PASS
3	Antenna Requirement	15.203	PASS

3. MEASUREMENT UNCERTAINTY

Where relevant, the following measurement uncertainty levels have been estimated for tests performed on the Product as specified in CISPR 16-4-2. This uncertainty represents an expanded uncertainty expressed at approximately the 95% confidence level using a coverage factor of $k=2$.

No.	Item	Uncertainty
1	3m camber Radiated spurious emission(30MHz-1GHz)	U=4.3dB
2	Conducted Emission (150kHz-30MHz)	U=3.2dB
3	humidity uncertainty	U=5.3%
4	Temperature uncertainty	U=0.59°C

4. PRODUCT INFORMATION AND TEST SETUP

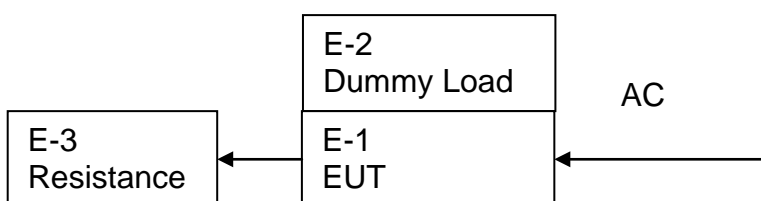
4.1 Product Information

Model(s):	WRLS-CHGMAT
Model Description:	N/A
Product Description:	mophie 4 device charging mat
Operation Frequency:	115kHz-205kHz
Antenna installation:	Inductive loop coil antenna
Ratings:	INPUT:DC 15V 4A MAX OUTPUT:10W*2(Right/ Left:); 5W*2 or 10W(Middle) DC 5V 1A
Adapter	Model No.: PYS-150V400U001 Input: AC 100-240V 50/60Hz Max 1.6A Output: DC 15V 4A
Hardware Version:	V1.0.3
Software Version:	V0.2.9

4.2 Test Setup Configuration

See test photographs attached in *EUT TEST SETUP PHOTOGRAPHS* for the actual connections between Product and support equipment.

Conducted Emission/Radiated Spurious Emission:



4.3 Support Equipment

No.	Device Type	Brand	Model	Series No.	Data Cable	Remark
E-1	mophie 4 device charging mat	mophie,	WRLS-CH GMAT	N/A	N/A	EUT
E-2	Dummy load	N/A	DL01	N/A	N/A	Auxiliary
E-3	Resistance	N/A	N/A	N/A	N/A	Auxiliary

Notes:

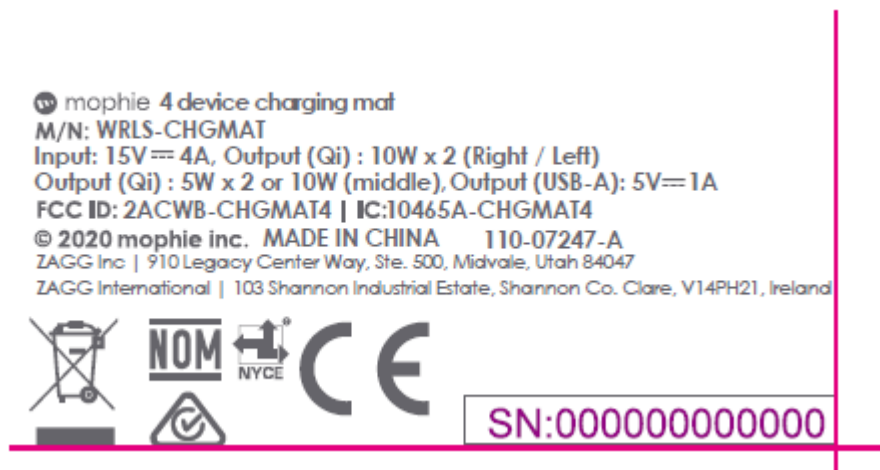
1. All the equipment/cables were placed in the worst-case configuration to maximize the emission during the test.
2. Grounding was established in accordance with the manufacturer's requirements and conditions for the intended use.

4.5 Test Mode

To investigate the maximum EMI emission characteristics generates from EUT, the test system was pre-scanning tested base on the consideration of following EUT operation mode or test configuration mode which possible have effect on EMI emission level. Each of these EUT operation mode(s) or test configuration mode(s) mentioned above was evaluated respectively.

Test Modes 1	Wireless 10W (Right)+ Wireless 10W (Left)+ Wireless 5W (Upper)+ Wireless 5W (bottom)+USB DC 5V 1A
Test Modes 2	Wireless 10W (Right)+ Wireless 10W (Left)+ Wireless 10W (middle)+USB DC 5V 1A

4.6 Copy of marking plate



5. TEST FACILITY AND TEST INSTRUMENT USED

5.1 Test Facility

All measurement facilities used to collect the measurement data are located at BCTC Building & 1-2F, East of B Building, Pengzhou Industrial, Fuyuan 1st Road, Qiaotou Community, Fuyong Street, Bao'an District, Shenzhen, China. The site and apparatus are constructed in conformance with the requirements of ANSI C63.4 and CISPR 16-1-1 other equivalent standards.

FCC Test Firm Registration Number: 712850

IC Registered No.: 23583

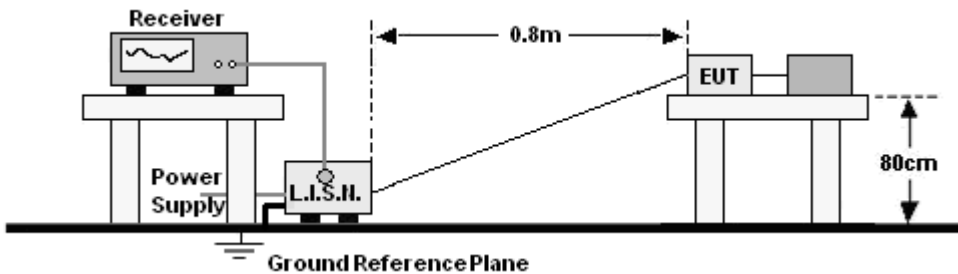
5.2 Test Instrument Used

Conducted emissions Test					
Equipment	Manufacturer	Model#	Serial#	Last Cal.	Next Cal.
Receiver	R&S	ESR3	102075	Jun. 08, 2020	Jun. 07, 2021
LISN	R&S	ENV216	101375	Jun. 04, 2020	Jun. 03, 2021
ISN	HPX	ISN T800	S1509001	Jun. 04, 2020	Jun. 03, 2021
Software	Frad	EZ-EMC	EMC-CON 3A1	\	\

Radiated emissions Test (966 chamber)					
Equipment	Manufacturer	Model#	Serial#	Last Cal.	Next Cal.
966 chamber	ChengYu	966 Room	966	Jun. 06, 2020	Jun. 05, 2023
Receiver	R&S	ESR3	102075	Jun. 08, 2020	Jun. 07, 2021
Receiver	R&S	ESRP	101154	Jun. 08, 2020	Jun. 07, 2021
Amplifier	Schwarzbeck	BBV9718	9718-309	Jun. 04, 2020	Jun. 03, 2021
Amplifier	Schwarzbeck	BBV9744	9744-0037	Jun. 04, 2020	Jun. 03, 2021
TRILOG Broadband Antenna	schwarzbeck	VULB 9163	VULB9163- 942	Jun. 08, 2020	Jun. 07, 2021
Horn Antenna	SCHWARZBE CK	BBHA9120 D	1201	Jun. 10, 2020	Jun. 09, 2021
Horn Antenna (18GHz-40 GHz)	SCHWARZBE CK	BBHA9170	822	Jun. 10, 2020	Jun. 09, 2021
Amplifier (18GHz-40 GHz)	MITEQ	TTA1840-3 5-HG	2034381	Jun. 08, 2020	Jun. 07, 2021
Loop Antenna (9kHz-30M Hz)	SCHWARZBE CK	FMZB1519 B	014	Jun. 08, 2020	Jun. 07, 2021
RF cables1 (9kHz-30MH z)	Huber+Suhnar	9kHz-30M Hz	B1702988- 0008	Jun. 08, 2020	Jun. 07, 2021
RF cables2 (30MHz-1G Hz)	Huber+Suhnar	30MHz-1G Hz	1486150	Jun. 08, 2020	Jun. 07, 2021
RF cables3 (1GHz-40G Hz)	Huber+Suhnar	1GHz-40G Hz	1607106	Jun. 08, 2020	Jun. 07, 2021
Power Metter	Keysight	E4419B	\	Jun. 08, 2020	Jun. 07, 2021
Power Sensor (AV)	Keysight	E9 300A	\	Jun. 08, 2020	Jun. 07, 2021
Signal Analyzer 20kHz-26.5 GHz	KEYSIGHT	N9020A	MY491000 60	Jun. 04, 2020	Jun. 03, 2021
Spectrum Analyzer 9kHz-40G Hz	Agilent	FSP40	100363	Jun. 13, 2020	Jun. 12, 2021
Software	Frad	EZ-EMC	FA-03A2 RE	\	\

6. CONDUCTED EMISSIONS

6.1 Block Diagram Of Test Setup



6.2 Limit

FREQUENCY (MHz)	Limit (dBuV)	
	Quas-peak	Average
0.15 -0.5	66 - 56 *	56 - 46 *
0.50 -5.0	56.00	46.00
5.0 -30.0	60.00	50.00

Notes:
 1. *Decreasing linearly with logarithm of frequency.
 2. The lower limit shall apply at the transition frequencies.

6.3 Test procedure

Receiver Parameters	Setting
Attenuation	10 dB
Start Frequency	0.15 MHz
Stop Frequency	30 MHz
IF Bandwidth	9 kHz

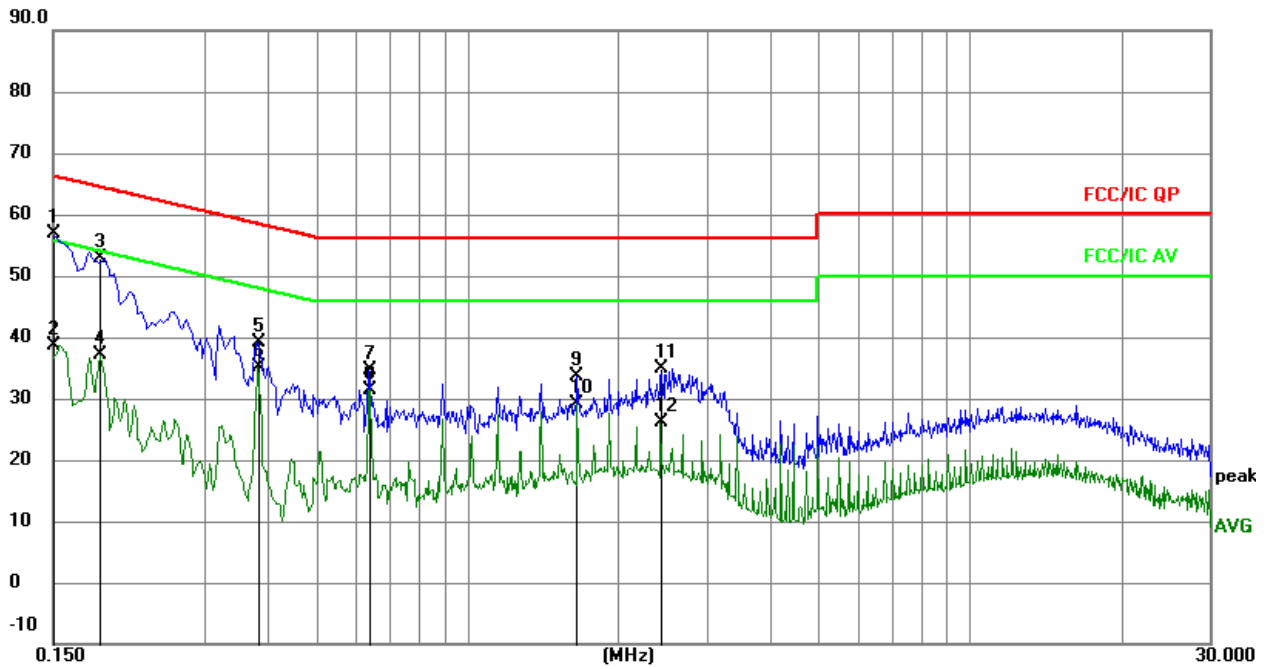
- The Product was placed on a nonconductive table 0.8 m above the horizontal ground reference plane, and 0.4 m from the vertical ground reference plane, and connected to the main through Line Impedance Stability Network (L.I.S.N).
- The RBW of the receiver was set at 9 kHz in 150 kHz ~ 30MHz with Peak and AVG detector in Max Hold mode. Run the receiver's pre-scan to record the maximum disturbance generated from Product in all power lines in the full band.
- For each frequency whose maximum record was higher or close to limit, measure its QP and AVG values and record.

6.4 EUT operating Conditions

The EUT was configured for testing in a typical fashion (as a customer would normally use it). The EUT has been programmed to continuously transmit during test. This operating condition was tested and used to collect the included data.

6.5 Test Result

Temperature :	26 °C	Relative Humidity :	54%
Pressure :	101kPa	Phase :	L
Test Voltage :	AC 120V/60Hz	Test Mode :	Mode 1 (The Worst mode)

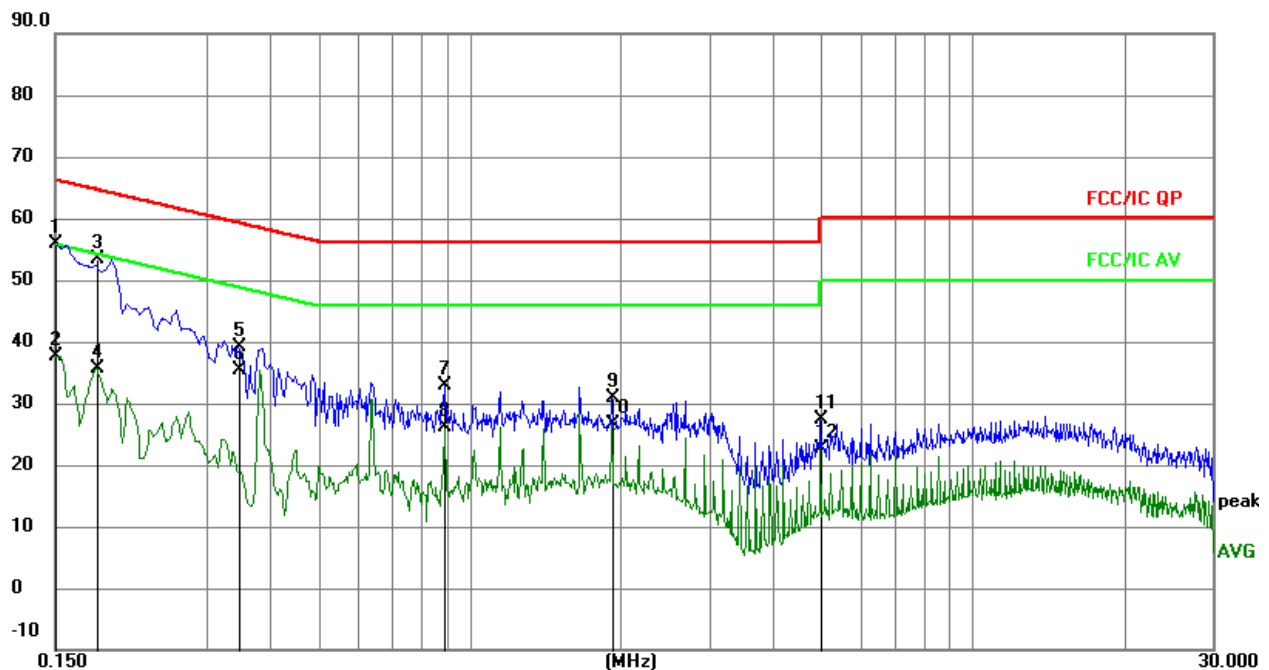


Remark:

1. All readings are Quasi-Peak and Average values.
2. Factor = Insertion Loss + Cable Loss.

No.	Mk.	Freq. MHz	Reading Level	Correct Factor dB	Measure- ment dBuV	Limit dBuV	Over dB	Detector
1	*	0.1500	47.36	9.52	56.88	66.00	-9.12	QP
2		0.1500	29.12	9.52	38.64	56.00	-17.36	AVG
3		0.1853	43.39	9.48	52.87	64.24	-11.37	QP
4		0.1853	27.70	9.48	37.18	54.24	-17.06	AVG
5		0.3832	29.69	9.51	39.20	58.21	-19.01	QP
6		0.3832	25.55	9.51	35.06	48.21	-13.15	AVG
7		0.6372	24.75	9.87	34.62	56.00	-21.38	QP
8		0.6372	21.59	9.87	31.46	46.00	-14.54	AVG
9		1.6537	24.10	9.58	33.68	56.00	-22.32	QP
10		1.6537	19.49	9.58	29.07	46.00	-16.93	AVG
11		2.4218	25.14	9.62	34.76	56.00	-21.24	QP
12		2.4218	16.61	9.62	26.23	46.00	-19.77	AVG

Temperature :	26 °C	Relative Humidity :	54%
Pressure :	101kPa	Phase :	N
Test Voltage :	AC 120V/60Hz	Test Mode :	Mode 1 (The Worst mode)


Remark:

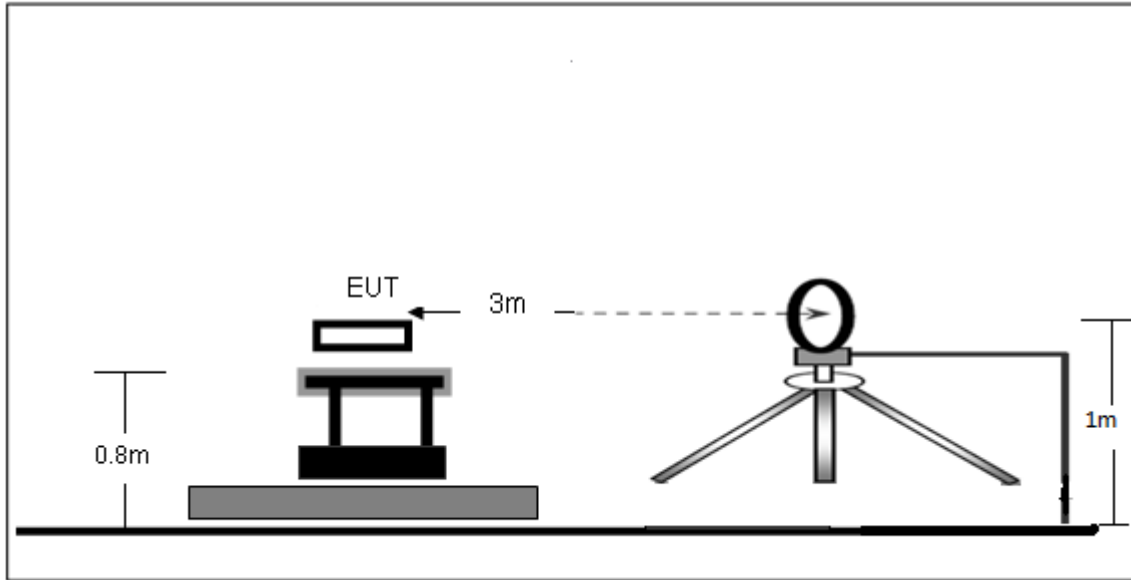
1. All readings are Quasi-Peak and Average values.
2. Factor = Insertion Loss + Cable Loss.

No.	Mk.	Freq. MHz	Reading Level	Correct Factor dB	Measure- ment dBuV	Limit dBuV	Over dB	Detector
1	*	0.1500	46.29	9.52	55.81	66.00	-10.19	QP
2		0.1500	28.07	9.52	37.59	56.00	-18.41	AVG
3		0.1815	43.97	9.48	53.45	64.42	-10.97	QP
4		0.1815	26.26	9.48	35.74	54.42	-18.68	AVG
5		0.3480	29.69	9.54	39.23	59.01	-19.78	QP
6		0.3480	25.95	9.54	35.49	49.01	-13.52	AVG
7		0.8924	23.24	9.60	32.84	56.00	-23.16	QP
8		0.8924	16.57	9.60	26.17	46.00	-19.83	AVG
9		1.9184	21.39	9.59	30.98	56.00	-25.02	QP
10		1.9184	17.12	9.59	26.71	46.00	-19.29	AVG
11		4.9830	17.67	9.80	27.47	56.00	-28.53	QP
12		4.9830	12.93	9.80	22.73	46.00	-23.27	AVG

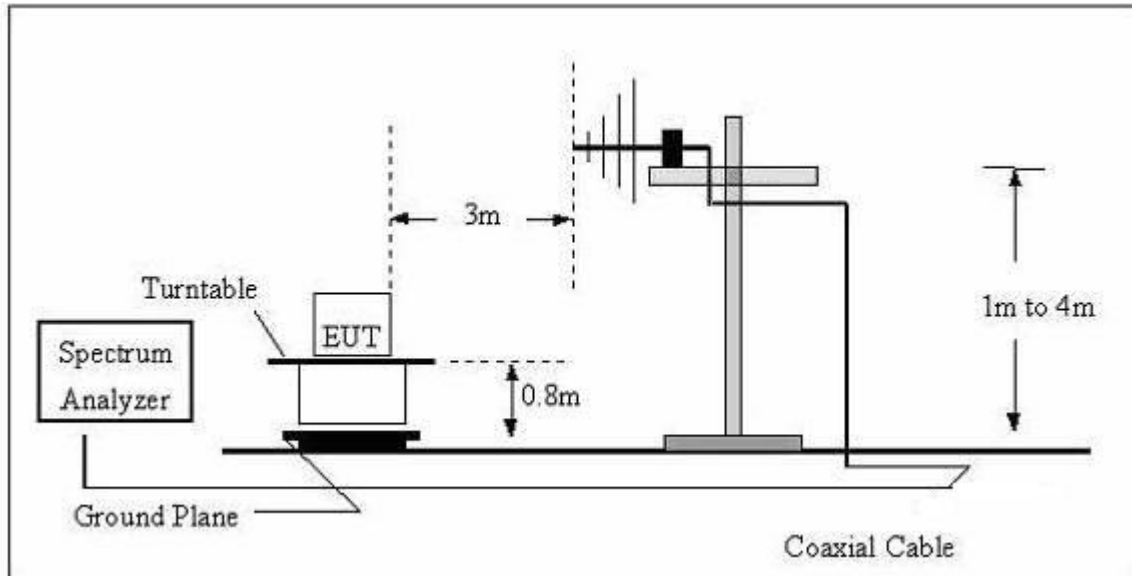
7. RADIATED EMISSIONS

7.1 Block Diagram Of Test Setup

(A) Radiated Emission Test-Up Frequency Below 30MHz



(B) Radiated Emission Test-Up Frequency 30MHz~1GHz



7.2 Limit

FCC §15.209; §15.205.

Test Standard	FCC Part15 C Section 15.209 and 15.205				
Test Limit	Frequency (MHz)	Field strength (microvolt/meter)	Limit (dBuV/m)	Remark	Measurement distance (m)
	0.009MHz~0.490MHz	2400/F(kHz)	-	-	300
	0.490MHz~1.705MHz	24000/F(kHz)	-	-	30
	1.705MHz~30MHz	30	-	-	30
	30MHz~88MHz	100	40.0	Quasi-peak	3
	88MHz~216MHz	150	43.5	Quasi-peak	3
	216MHz~960MHz	200	46.0	Quasi-peak	3
	960MHz~1000MHz	500	54.0	Quasi-peak	3
	Above 1000MHz	500	54.0	Average	3
-		74.0	Peak	3	

7.3 Test procedure

Receiver Parameter	Setting
Attenuation	Auto
9kHz~150kHz	RBW 200Hz for QP
150kHz~30MHz	RBW 9kHz for QP
30MHz~1000MHz	RBW 120kHz for QP

Below 1GHz test procedure as below:

- The EUT was placed on the top of a rotating table 0.8 meters above the ground at a 3 meter semi-anechoic chamber. The table was rotated 360 degrees to determine the position of the highest radiation.
- The EUT was set 3 meters away from the interference-receiving antenna, which was mounted on the top of a variable-height antenna tower.
- The antenna height is varied from one meter to four meters above the ground to determine the maximum value of the field strength. Both horizontal and vertical polarizations of the antenna are set to make the measurement.
- For each suspected emission, the EUT was arranged to its worst case and then the antenna was tuned to heights from 1 meter to 4 meters (for the test frequency of below 30MHz, the antenna was tuned to heights 1 meter) and the rotatable table was turned from 0 degrees to 360 degrees to find the maximum reading.
- The test-receiver system was set to Peak Detect Function and Specified Bandwidth with Maximum Hold Mode.

f. If the emission level of the EUT in peak mode was 10dB lower than the limit specified, then testing could be stopped and the peak values of the EUT would be reported. Otherwise the emissions that did not have 10dB margin would be re-tested one by one using peak, quasi-peak or average method as specified and then reported in a data sheet.

Above 1GHz test procedure as below:

g. Different between above is the test site, change from Semi- Anechoic Chamber to fully Anechoic Chamber and change form table 0.8 metre to 1.5 metre(Above 18GHz the distance is 1 meter and table is 1.5 metre).

h. Test the EUT in the lowest channel ,the middle channel ,the Highest channel.

Note:

Both horizontal and vertical antenna polarities were tested and performed pretest to three orthogonal axis. The worst case emissions were reported.

7.4 Test Result

9kHz-30MHz

Temperature:	26°C	Relative Humidity:	24%
Pressure:	101 kPa	Test Voltage :	AC 120V/60Hz
Test Mode :	Mode 2(the worst data)	Polarization :	--

Frequency	Meter Reading	Factor	Emission Level	Limits	Margin	Detector Type
(kHz)	(dB μ V)	(dB)	(dB μ V/m)	(dB μ V/m)	(dB)	
23.5000	42.53	20.15	62.68	140.18	-77.50	PK
23.5000	41.29	20.15	61.44	120.18	-58.74	AV
61.6000	53.35	20.33	73.68	131.81	-58.13	PK
61.6000	45.71	20.33	66.04	111.81	-45.77	AV
127.5000	66.37	20.55	86.92	125.49	-38.57	PK
127.5000	63.27	20.55	83.82	105.49	-21.67	AV
668.3000	35.36	20.64	56.00	71.1	-15.10	QP
956.7000	36.35	21.26	57.61	67.99	-10.38	QP
1242.6300	27.65	22.32	49.97	65.72	-15.75	QP

Note:

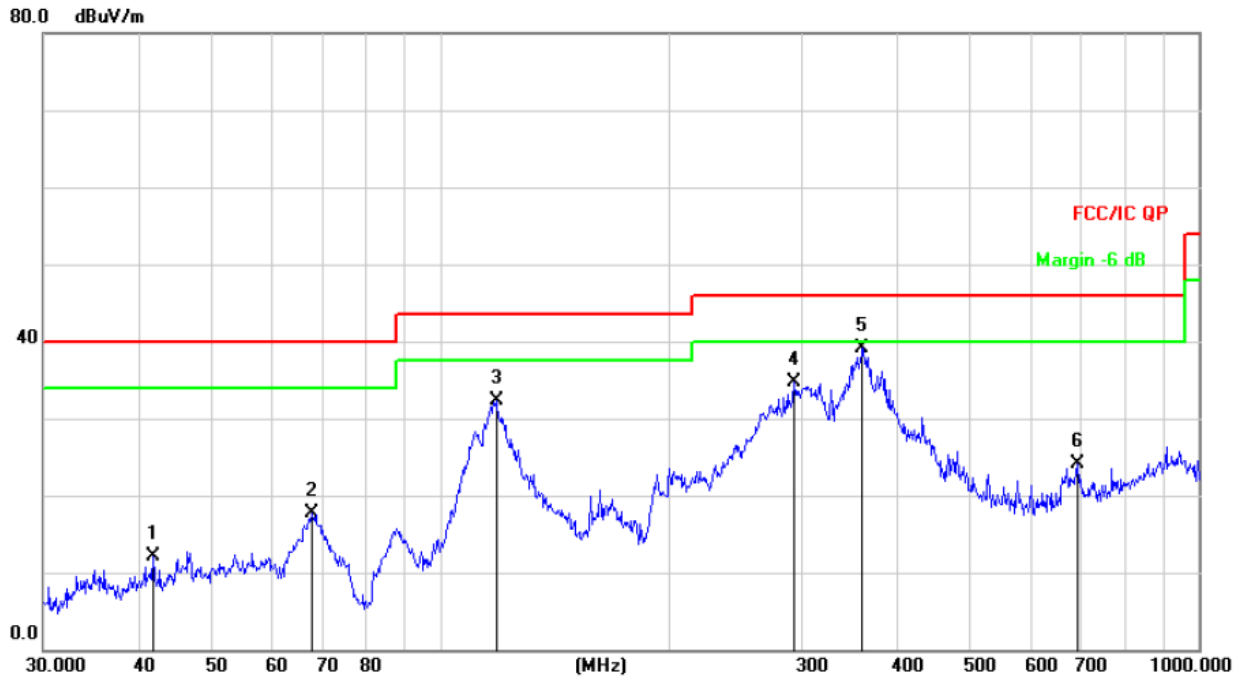
Pre-scan in the all of mode, the worst case in of was recorded.

Factor = antenna factor + cable loss – pre-amplifier.

Margin = Emission Level- Limit.

Between 30MHz – 1GHz

Temperature:	26°C	Relative Humidity:	54%
Pressure:	101 kPa	Test Voltage :	AC 120V/60Hz
Test Mode :	Mode 2(the worst data)	Polarization :	Horizontal

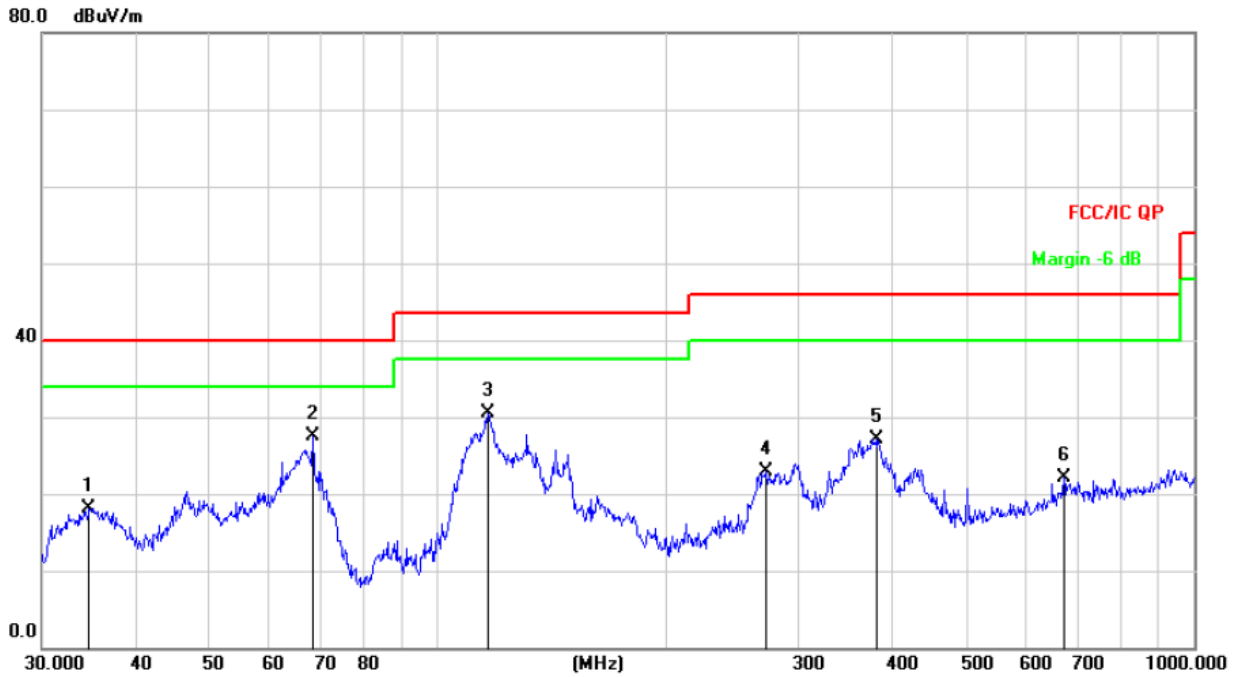


Remark:

Factor = Antenna Factor + Cable Loss – Pre-amplifier.

No.	Mk.	Freq.	Reading Level	Correct Factor	Measurement	Limit	Over	
		MHz	dBuV	dB	dBuV/m	dB/m	dB	Detector
1		41.8596	27.44	-15.31	12.13	40.00	-27.87	QP
2		67.6751	35.39	-17.66	17.73	40.00	-22.27	QP
3		118.6014	49.71	-17.48	32.23	43.50	-11.27	QP
4		293.0842	48.60	-13.81	34.79	46.00	-11.21	QP
5	*	360.4476	51.12	-11.99	39.13	46.00	-6.87	QP
6		691.9867	29.61	-5.41	24.20	46.00	-21.80	QP

Temperature:	26°C	Relative Humidity:	54%
Pressure:	101 kpa	Test Voltage :	AC 120V/60Hz
Test Mode :	Mode 2(the worst data)	Polarization :	Vertical



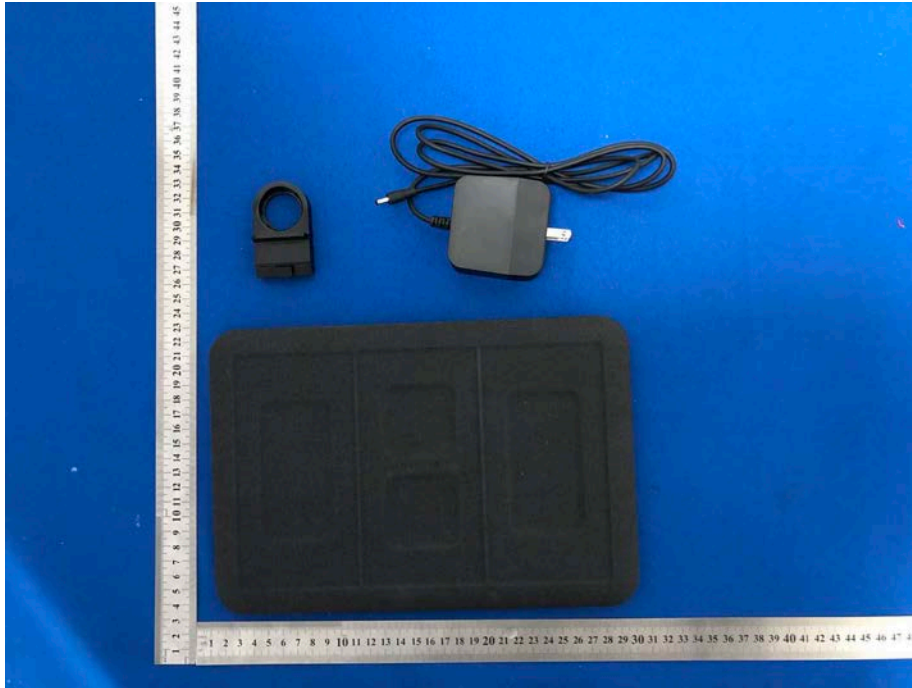
Remark:

Factor = Antenna Factor + Cable Loss – Pre-amplifier.

No.	Mk.	Freq.	Reading Level	Correct Factor	Measurement	Limit	Over	Detector
		MHz	dBuV	dB	dBuV/m	dB/m	dB	
1		34.6385	34.45	-16.41	18.04	40.00	-21.96	QP
2	*	68.3908	45.25	-17.82	27.43	40.00	-12.57	QP
3		116.5401	47.92	-17.35	30.57	43.50	-12.93	QP
4		272.2776	37.38	-14.46	22.92	46.00	-23.08	QP
5		381.2487	38.69	-11.52	27.17	46.00	-18.83	QP
6		672.8444	28.21	-6.05	22.16	46.00	-23.84	QP

8. EUT PHOTOGRAPHS

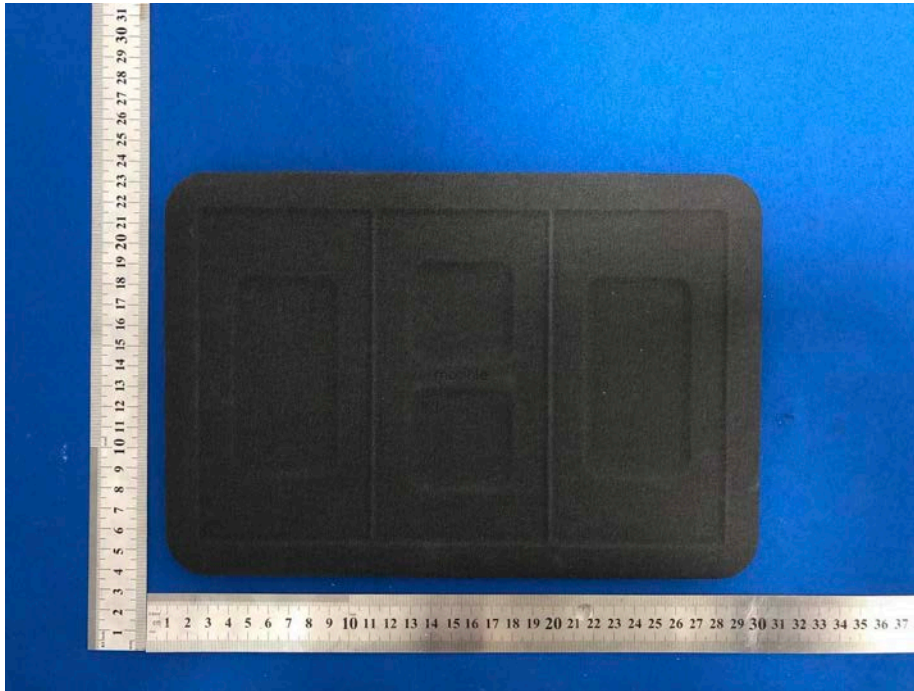
EUT Photo 1



EUT Photo 2



EUT Photo 3



EUT Photo 4

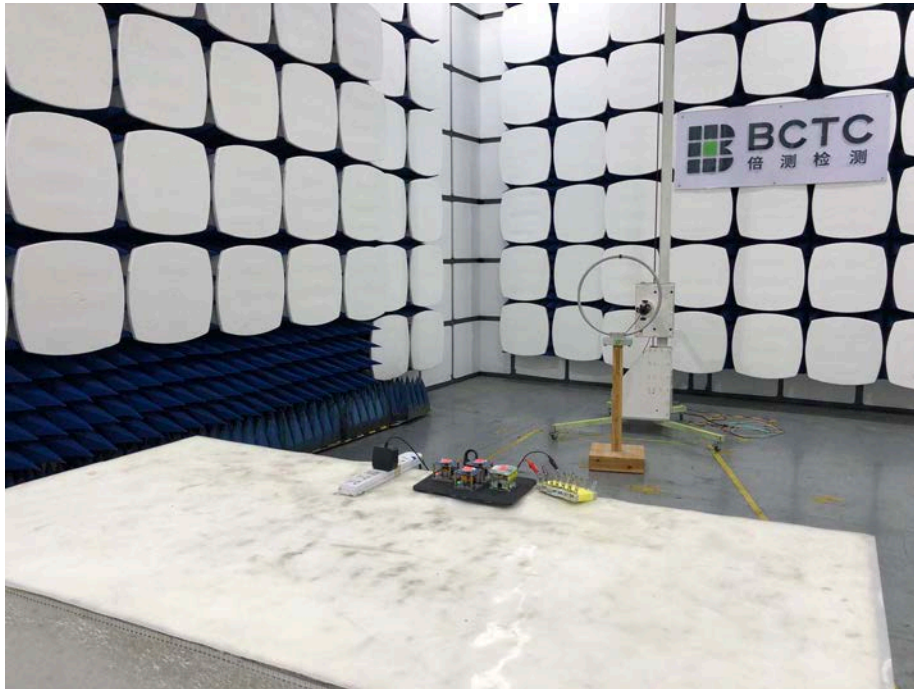


9. EUT TEST SETUP PHOTOGRAPHS

Conducted emissions



Radiated Measurement Photos



※※※※※ END OF REPORT ※※※※※