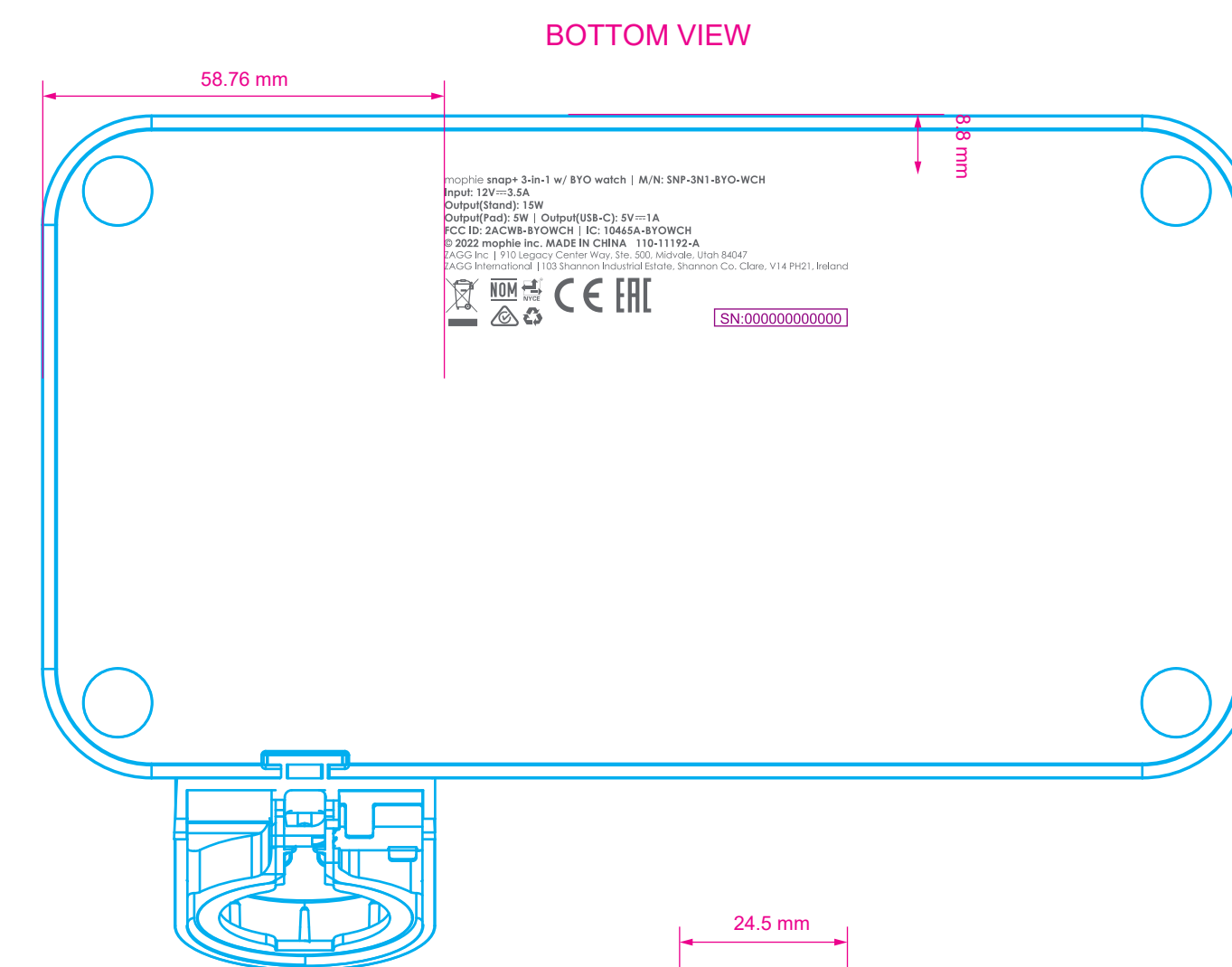
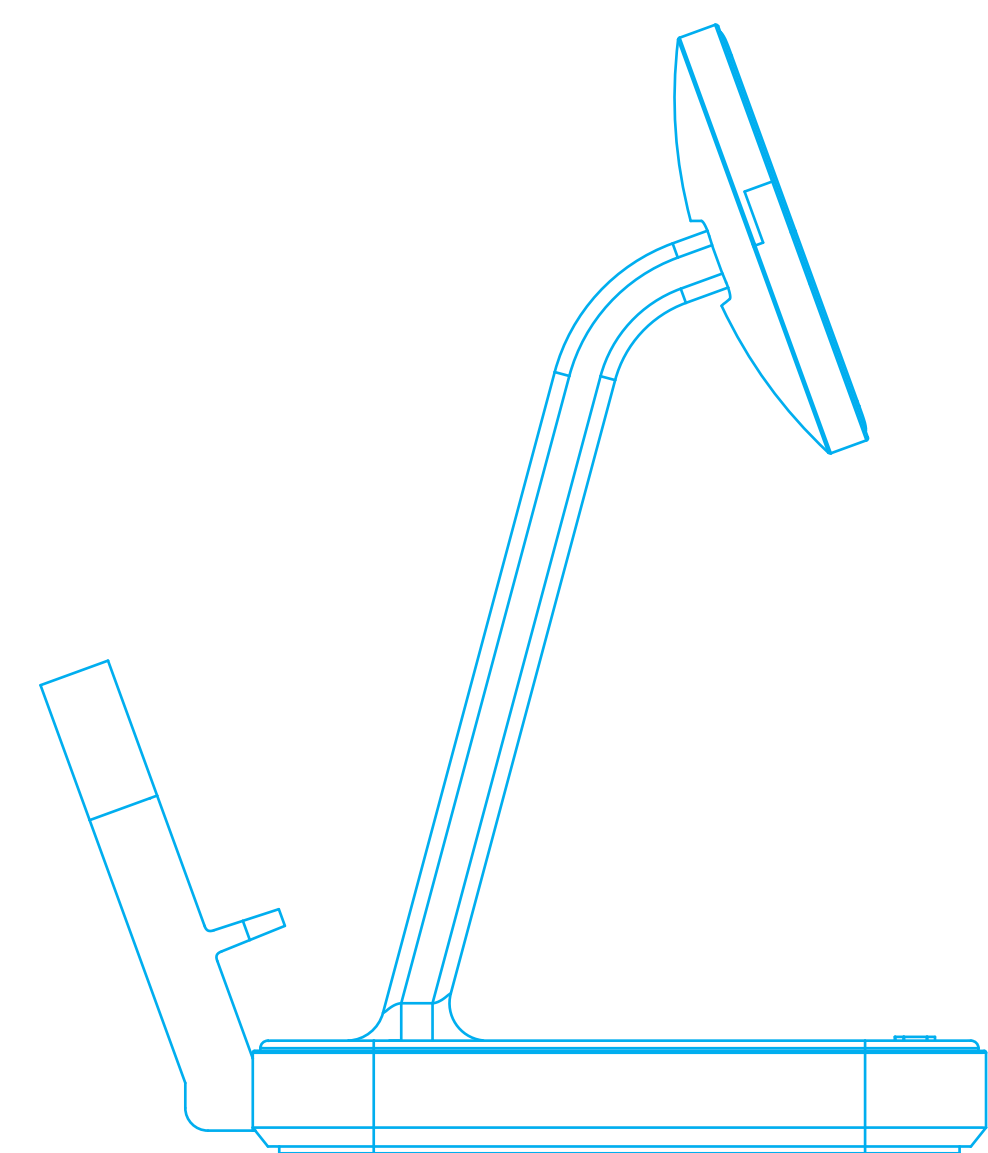


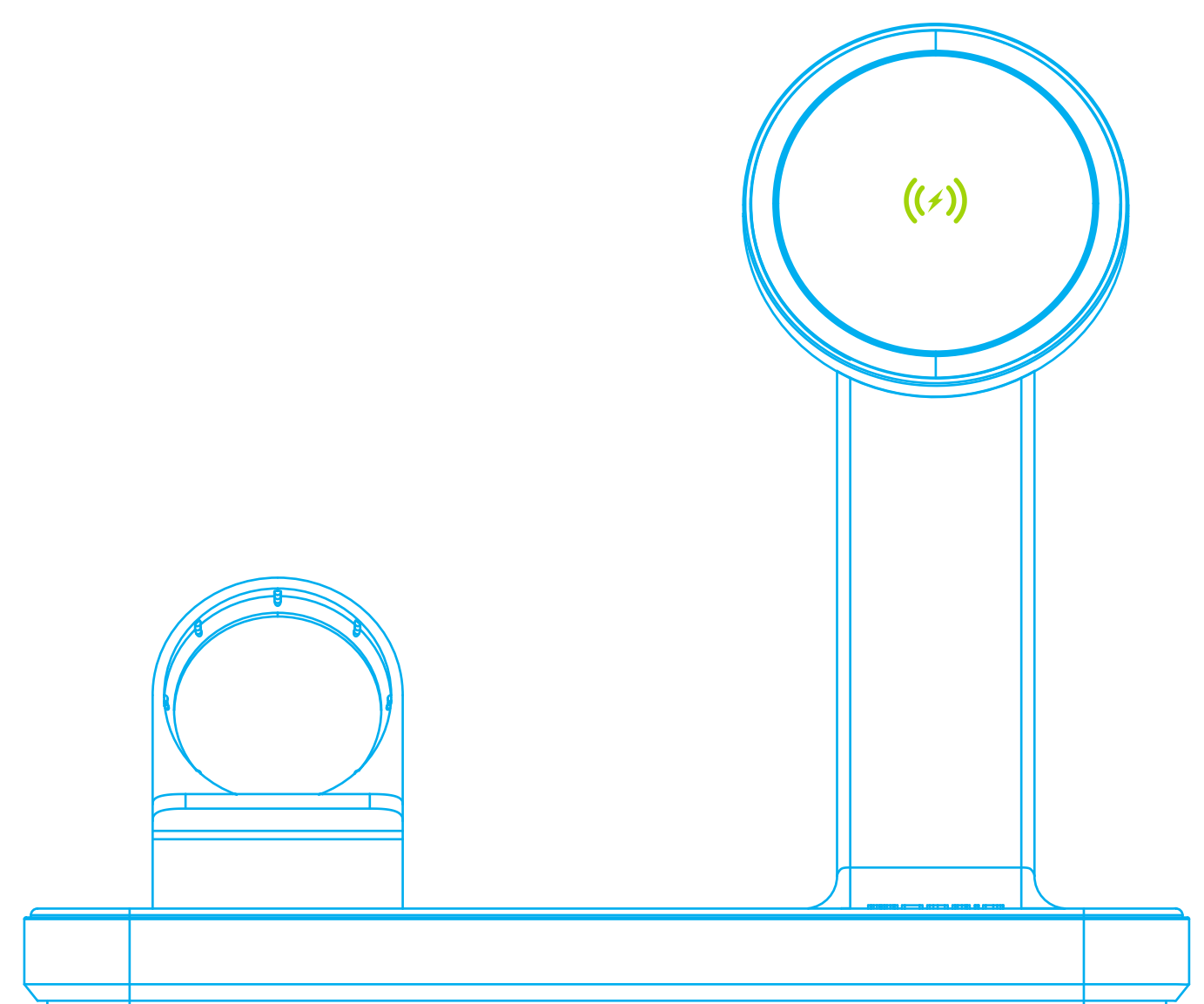
TOP VIEW



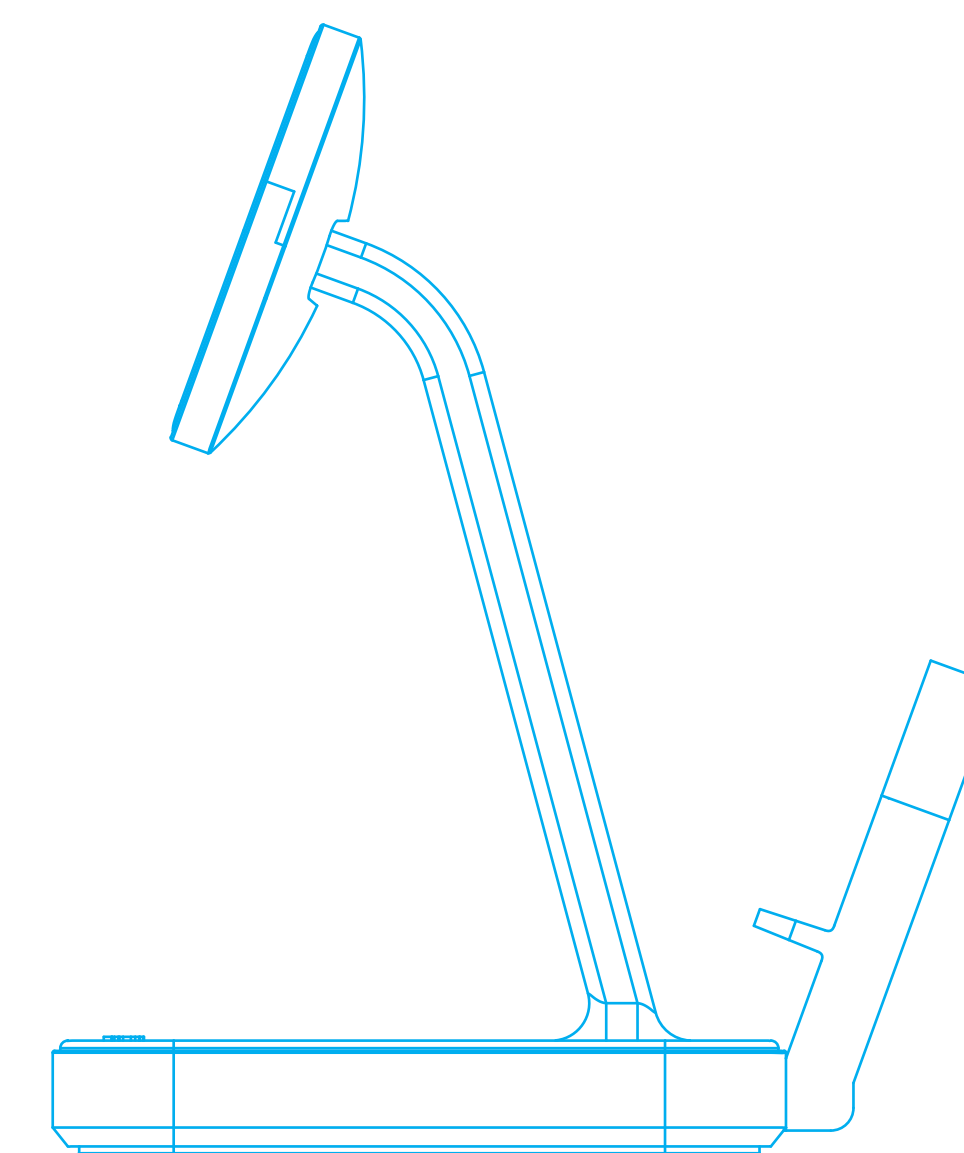
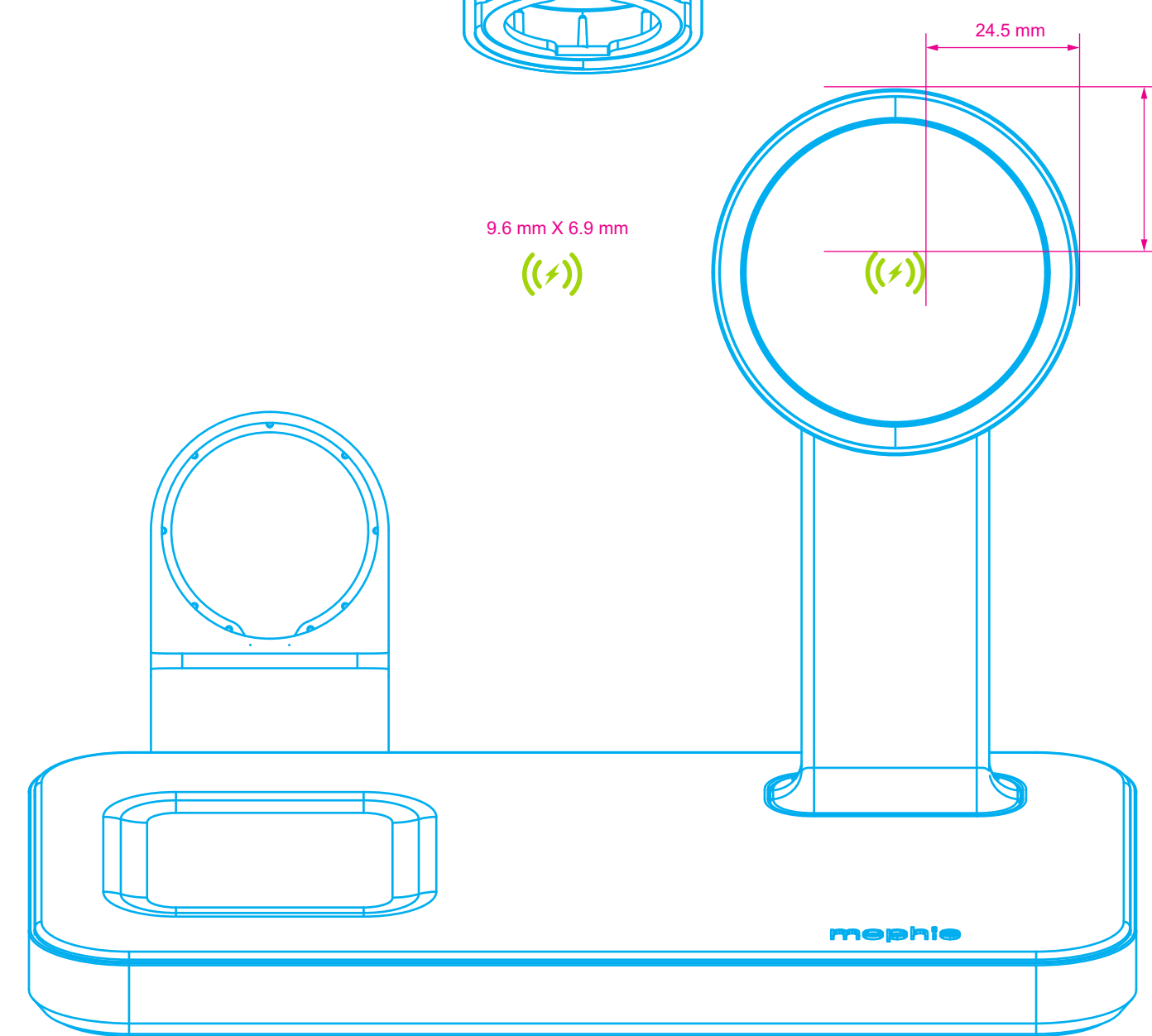
BOTTOM VIEW



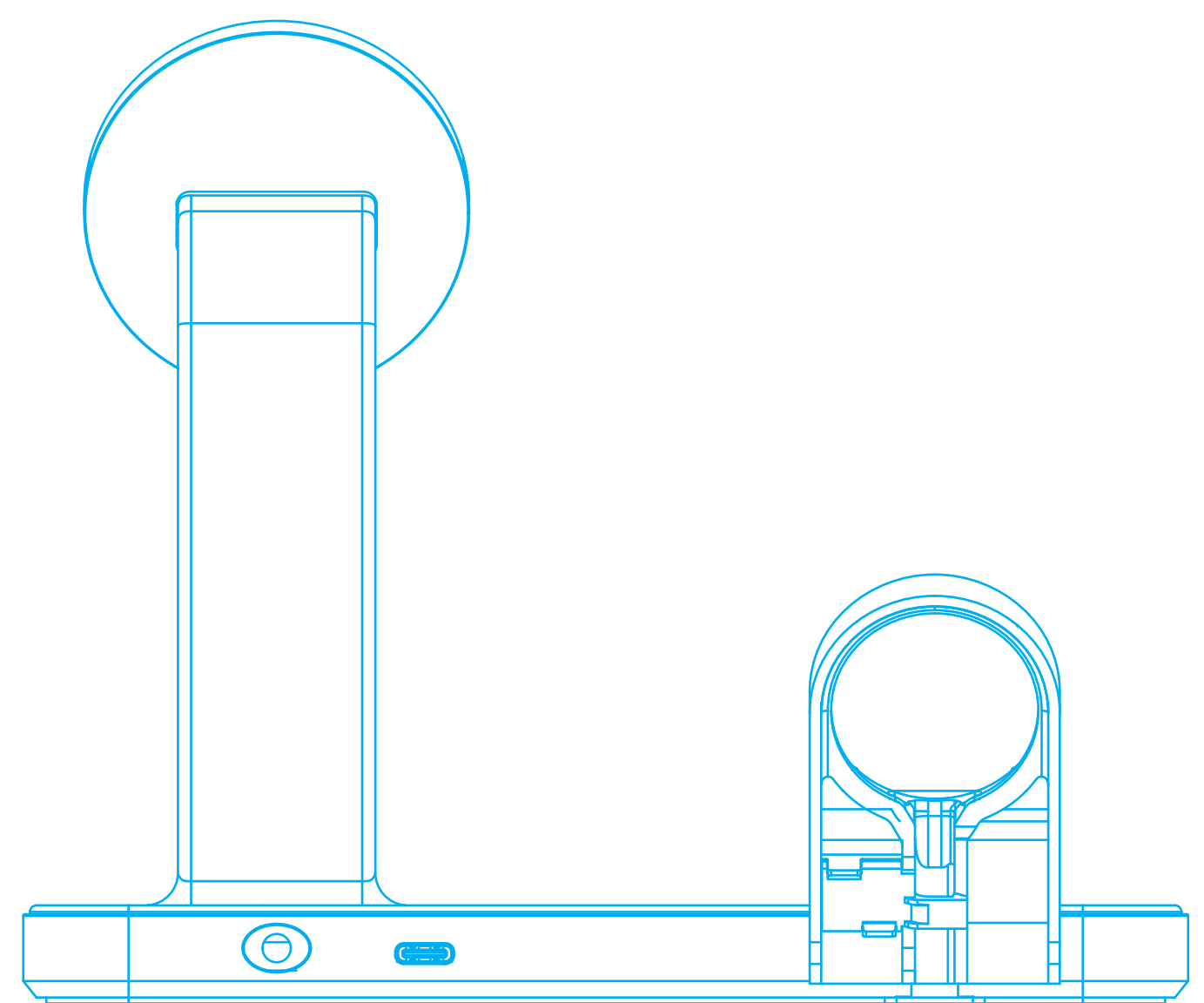
LEFT SIDE VIEW



FRONT VIEW



RIGHT SIDE VIEW



BACK VIEW

**ARTWORK OK for PVT**

<p>PROJECT: SNAP+ 3-in-1 Wireless Stand_Device Padprint          PART NUMBER:          UNITS: Millimeters          ID: Dat          PRODUCTION ARTIST: Vincent          PDM: Hank          PCM: Tomo          DATE: 11/07/21          ARENA: 110-11192-A</p>	<p>COLORS:          ● PMS Cool gray 10C ( pad print label information, mophie logo and icons)          ● Laser etch          ● PMS 375C (Wireless charging icon)</p>	<p>SPECIAL INSTRUC TIONS:          • 11/06/21: Initial version for EVT.          • 04/07/22: Updated version for DVT.          • 04/11/22: Updated Arena number, FCC ID and MIN for PVT.          • 04/13/22: Updated Parameters.</p>
--	--	---