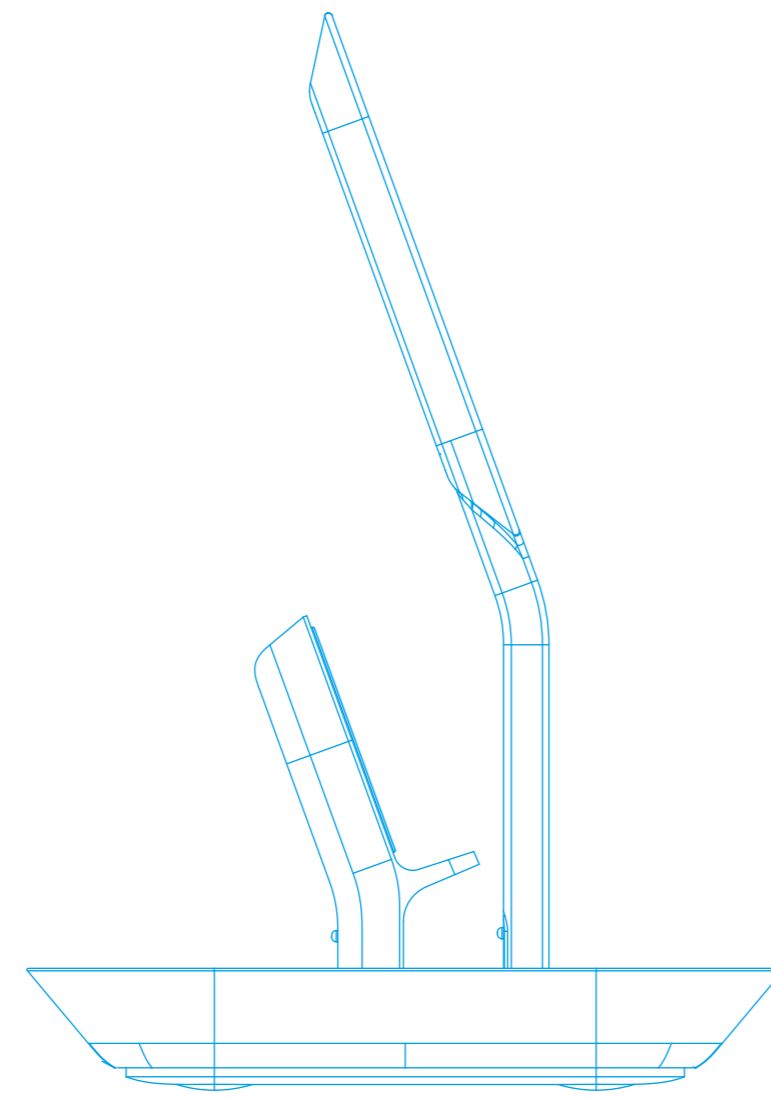
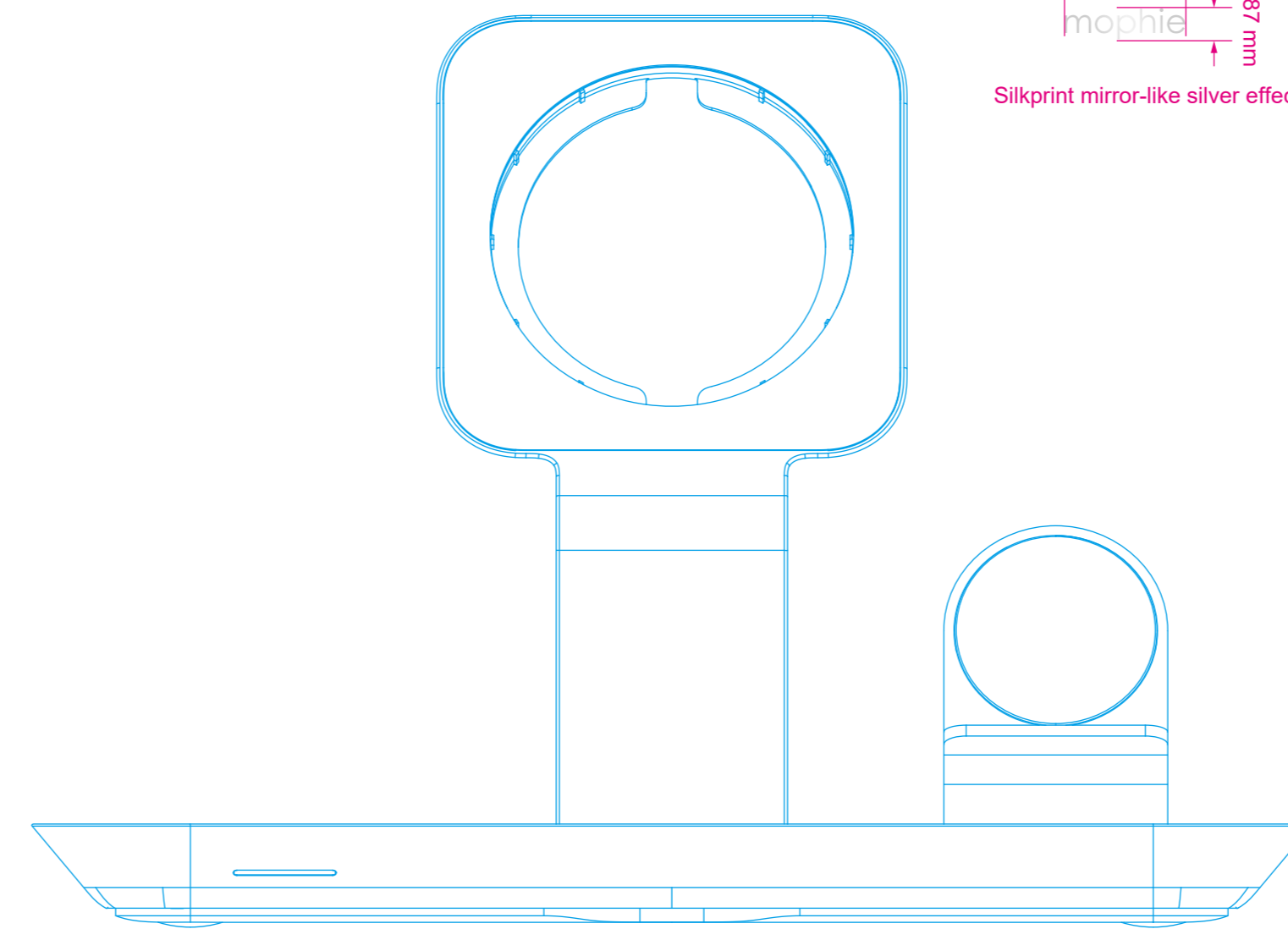


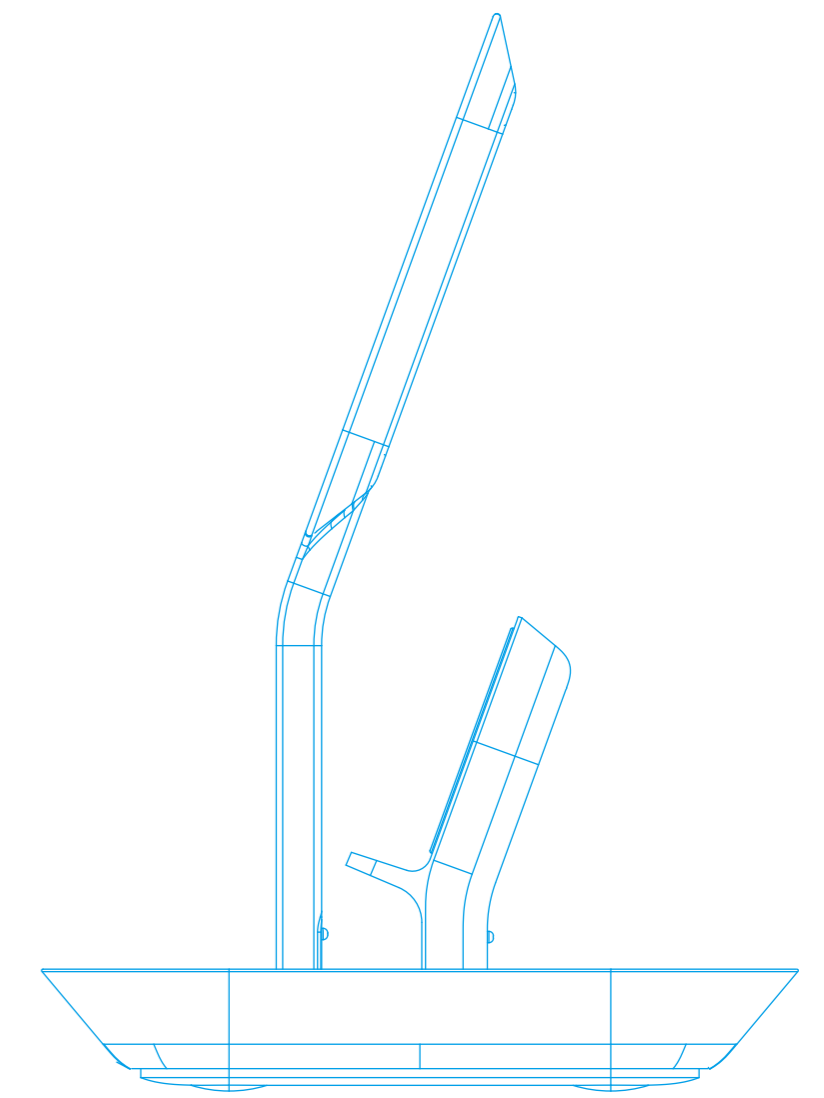
18.82 mm
4.87 mm
mophie
Silkprint mirror-like silver effect



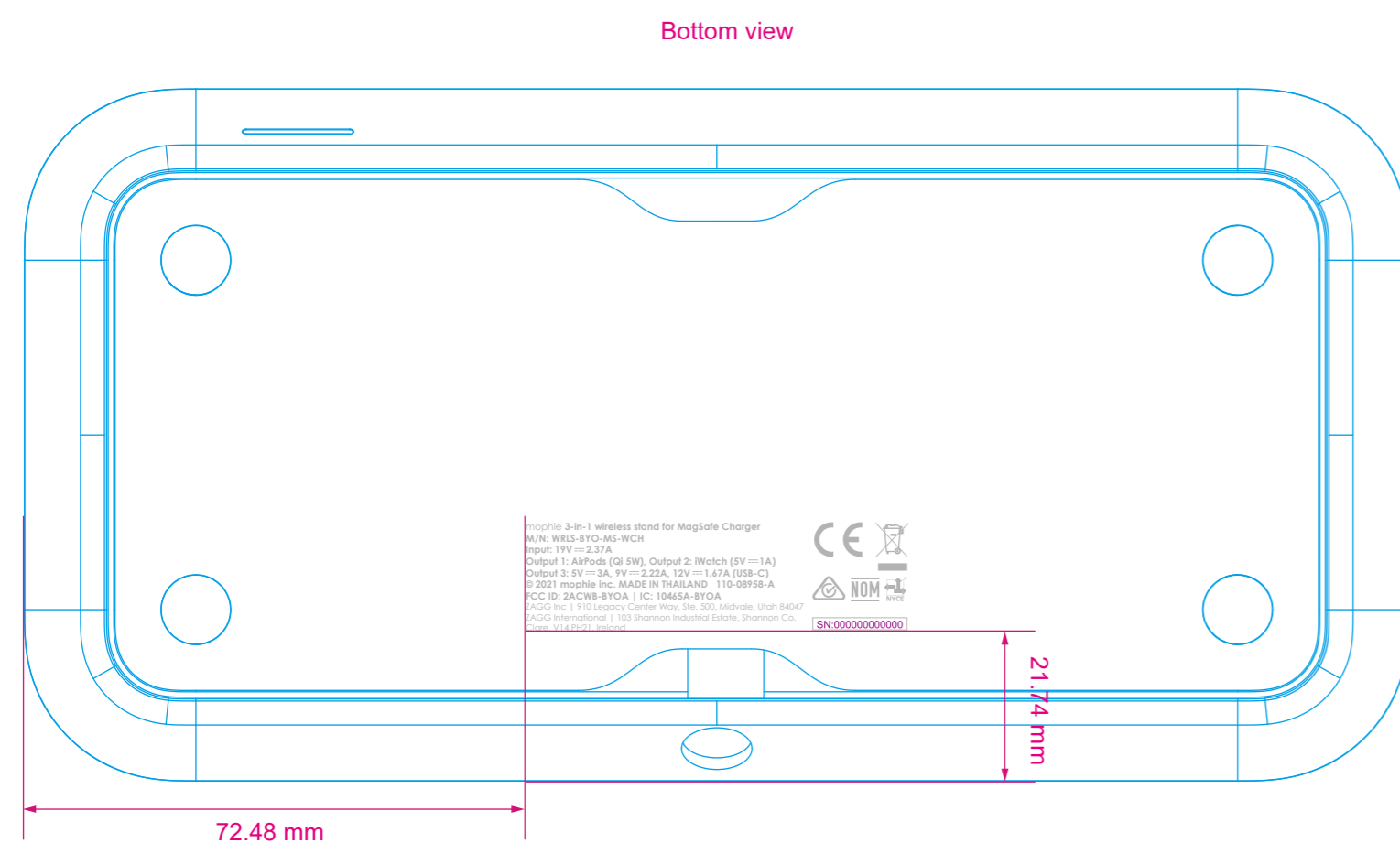
Left view



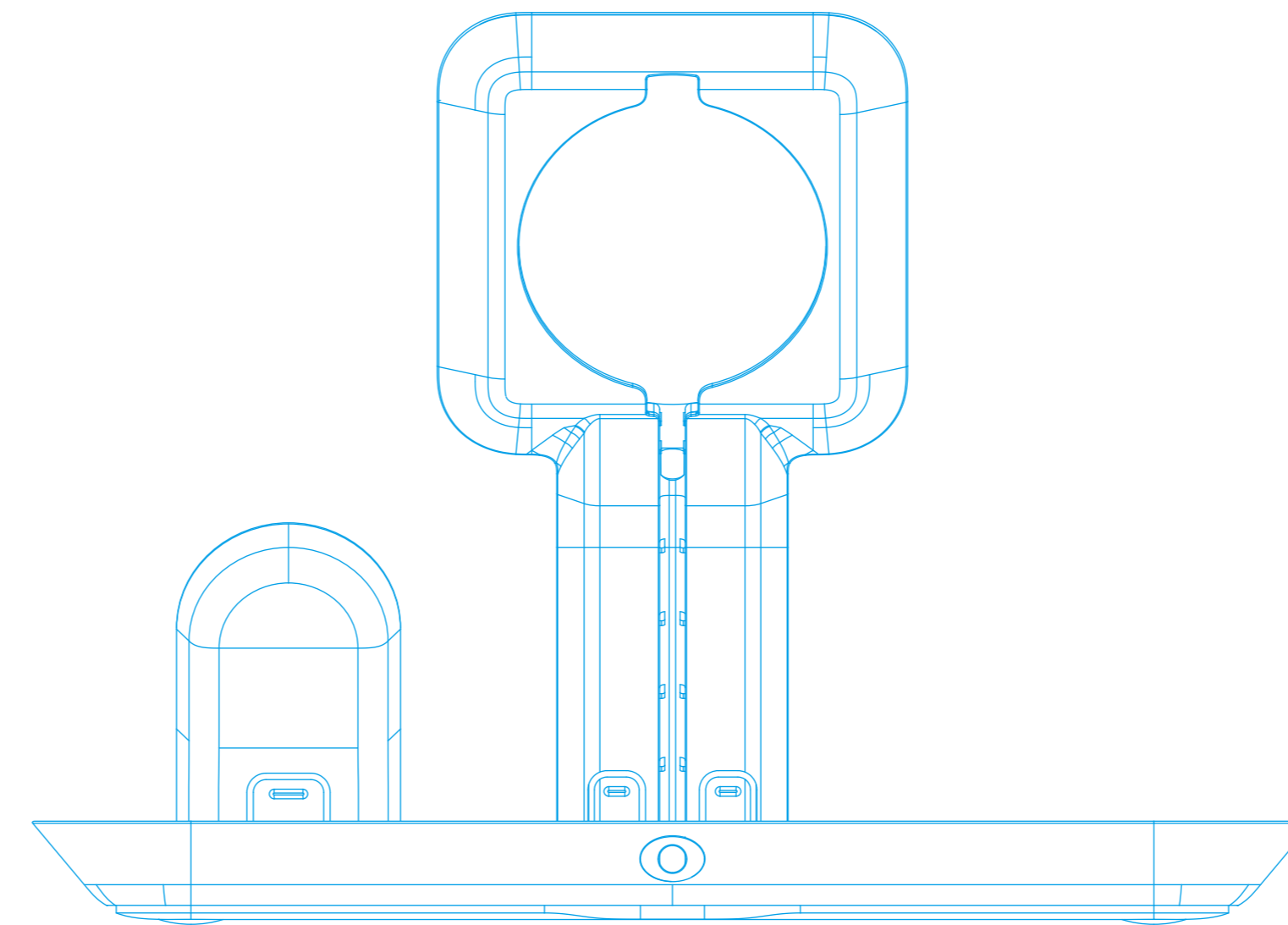
Front view



Right view



Bottom view



Back view

ARTWORK OK for DVT

| | | | |
|--|-------------------------------------------------------------------------------------------------------------------------------------------------------------------------------------------------------------------------------------------------------------|---------------------------------------------------------------------------------------------------------------------------|------------------------------------------------------------------|
| | PROJECT: 3 in 1 charging stand_BYO_Apple_White_Pad Printing PART NUMBER: UNITS: Millimeters PRODUCTION ARTIST: Vincent PDM: George PCM: Tomo DATE: 03/22/21 ARENA: 110-08958-A | COLORS: ● Pantone Cool Gray 5C (pad print) ● Logo- Silkprint mirror-like silver effect ● Laser etched SN# | SPECIAL INSTRUCTIONS: • 03/22/21: DVT Initial version. |
| | | | |