

承认书

Admission

客户名称: 东莞市佳特半导体有限公司
Customer name: Dongguan Jate Semiconductor Co., LTD

客户料号: _____
Customer ID: G 25 X 2.3 X 7.8-8.0UH

我司型号: _____
Our model: G 25 X 2.3 X 7.8-8.0UH

送样日期: 2022 年 10 月 10 日
Sample delivery date: October 10,2022

供应方: 深圳市深广电子科技有限公司
Supplier: Shenzhen Shengguang Electronic Technology Co., LTD

绘制 Drawing	审核 Audit	批准 Approved
段家旺 Duan Jiawang	张云涛 Zhang yuntao	谢小 仔 Xie Xiaozai

客户承认:
Client admits:

合格 Qualified	不合格 Disqualified	承认书 acknowledge
Ok		王改林 Wang gailing
备注 Notes		

深圳市深广电子科技有限公司
Shenzhen Shengguang Electronic Technology Co., Ltd.

TEL: 18688713269

Fax: _____

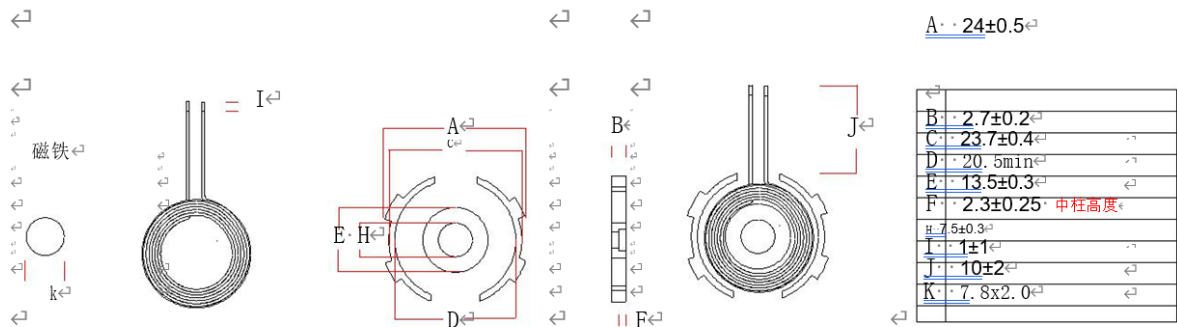
地址: 深圳市龙华区观澜街道观光路 1165 号

Add: No. 1165, Guanlan Street, Longhua District, Shenzhen City

客户名称 Customer name	客户料号 Customer data	我司型号 Our model	版本 Version	日期 Date
东莞市佳特半导体有限公司 Dongguan Jate Semiconductor Co., LTD	G 25 X 2.3 X 7.8-8.0UH	G25X2.3X7.8	A 0	October 10,2022

一、平面结构图： 单位:MM

I. Plan structure drawing: Unit:MM



二、产品参数：

Product parameters:

脚位	线径 Diameter of the line	圈数	备注
S-F	0.08 * 24	12	热风绞合线 Hot Air Strand

三、技术要求：

Technical Requirements:

1. 固定好线头线尾，防止线松断线等现象

Fix the head and tail of the thread to prevent loose and broken thread and other phenomena

2. 按客户要求把过长的线头剪，镀上锡，镀锡深度统一为 1±1MM

2. According to customer's requirements, the length of wire shears, Tinning, tinning depth of unity to 1 ± 1MM

3. 在软磁片上点上适当的白胶，贴上线圈，过程中要保证产品表面干净整洁

3. In the soft magnetic point on the appropriate white glue, paste the coil, the process to ensure that the product surface clean and tidy

4. 所用软磁片为带圆孔，无破损

The soft disk used is with round hole, no damage

5. 附加工序（按客户要求）：于成品中间圆孔装上 7.8x2.0mm 的磁铁并在成品
Additional process (according to customer requirements) : in the middle of the finished product with 7.8x2.0mm magnet and in the finished product

背后加贴直径 14mm 的带耳朵圆双面胶，后包装

Add 14mm diameter round double-sided adhesive with ears on the back, after packaging

四、电性参数:

Electrical parameters

1.电感值, Q 值 (Inductance, Q) :PIN S—F = 8uH ±10%

PIN S-F = 8uH ± 10%

Q Value≥35

以上电感值以创达 1068A 仪器, 以 100kHz/1Vrms 为标准或等同仪器。

The above inductance value is 1068A instrument, 100kHz/1Vrms standard or equivalent instrument.

Q 值以创达 1068A 仪器, 以 100KHZ/1Vrms 为标准或等同仪器

Q value to reach 1068A instruments, 100KHZ/1Vrms as the standard or equivalent instrument

五、材料清单：

List of materials:

序号 Serial number	名称 Name	材质 Material	供应商 Suppliers	备 注
1	热风绞合线 Hot Air Strand	0.08X24 0.08 x 24	维汉或等同 Uyghur or equivalent	
2	磁片 magnetic sheet	G25 软基材 G25 soft substrate	天通或等同 TX or equivalent	
3	锡 Tin	高温环保 High temperature environmental protection	千岛或等同 Thousand Island or equivalent	
4	白胶 White glue	BY882 BY882	宝月或等同 Treasure month or equivalent	
5	强磁 strong magnetism	7.8*2(强度大于 2500GS) 7.8 * 2(strength greater than 2500 GS)	联胜或等同 Win-win or equal	附加工序, Additional processes, press 客户要求 Customer requirements
6	双面胶 Double-sided glue	直径 14mm The diameter is 14 mm	鸿辉或等同 Hung Fai or equivalent	