



■ Report No.: DDT-R22061414-38E02

■ Issued Date: Oct. 14, 2022

RF EXPOSURE REPORT

FOR

Applicant	:	KREAFUNK APS
Address	:	Klamsagervej 35 A, st.8230 Abyhoj, Denmark
Equipment under Test	:	Qi Wireless charger
Model No.	:	reCHARGE+
Trade Mark	:	KREAFUNK
FCC ID	:	2ACVC-RECHARGEPLUS
Manufacturer	:	Dongguan Lvdong Technology Company Ltd.
Address	:	3rd Floor, Building D, Zhongchuang Intelligent Park, No.1 Second Sen Hu Road, Bihu Avenue, Fenggang Town, Dongguan City, China

Issued By: Dongguan Dongdian Testing Service Co., Ltd.

Add.: No. 17, Zongbu Road 2, Songshan Lake Sci&Tech, Industry Park,
Dongguan City, Guangdong Province, China, 523808

Tel.: +86-0769-38826678, **E-mail:** ddt@dgddt.com, <http://www.dgddt.com>

REPORT

Table of Contents

Test report declares.....	3
1. General Information	5
1.1. Description of equipment	5
1.2. Accessories of EUT.....	5
1.3. Assistant equipment used for test.....	5
1.4. Block diagram of EUT configuration for test	6
1.5. Assess laboratory.....	6
2. Equipment Used During Test.....	7
3. Method of Measurement	8
3.1. Applicable standard.....	8
3.2. Block diagram of test setup.....	8
3.3. Test procedure	8
3.4. Equipment approval considerations:.....	9
3.5. E and H Field Strength.....	10
4. TEST SETUP PHOTO	12

Test Report Declare

Applicant	:	KREAFUNK APS
Address	:	Klamsagervej 35 A, st.8230 Abyhoj, Denmark
Equipment under Test	:	QI Wireless charger
Model No.	:	reCHARGE+
Trade Mark	:	KREAFUNK
Manufacturer	:	Dongguan Lvdong Technology Company Ltd.
Address	:	3rd Floor, Building D, Zhongchuang Intelligent Park, No.1 Second Sen Hu Road, Bihu Avenue, Fenggang Town, Dongugan City, China

Assess Standard Used: FCC CFR 47 part1, 1.1307(b), 1.1310; KDB 680106 D01 RF Exposure Wireless Charging App v03r01.

We Declare:

The equipment described above is assessed by Dongguan Dongdian Testing Service Co., Ltd and in the configuration assessed the equipment complied with the standards specified above. The assessed results are contained in this report and Dongguan Dongdian Testing Service Co., Ltd is assumed of full responsibility for the accuracy and completeness of these assess.

After evaluation, our opinion is that the equipment In Accordance with above standard.

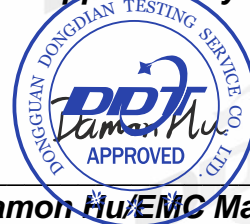
Report No.:	DDT-R22061414-38E02		
Date of Receipt:	Sep. 20, 2022	Date of Test:	Sep. 20, 2022 ~ Oct. 14, 2022

Prepared By:

Sanvin Zheng

Sanvin Zheng /Engineer

Approved By:



Damon Hu /EMC Manager

Note: This report applies to above tested sample only. This report shall not be reproduced in parts without written approval of Dongguan Dongdian Testing Service Co., Ltd.

Revision History

Rev.	Revisions	Issue Date	Revised By
---	Initial issue	Oct. 14, 2022	

1. General Information

1.1. Description of equipment

EUT* Name	: QI Wireless charger
Model Number	: reCHARGE+
EUT function description	: Please reference user manual of this device
Power Supply	: Input: 5V=2A / 9V=2A / 12V=3A wireless output: Front: 15W Max Back: 3W Watch: 2W Total wireless output: 20W Max
Wireless charging Operation frequency	: 113 kHz – 175 kHz, 324.33 kHz
Antenna Type	: Inductive loop coil antenna
Sample Type	: N/A
Serial Number	: S22061414-59

Note: EUT is the abbreviation of equipment under test.

1.2. Accessories of EUT

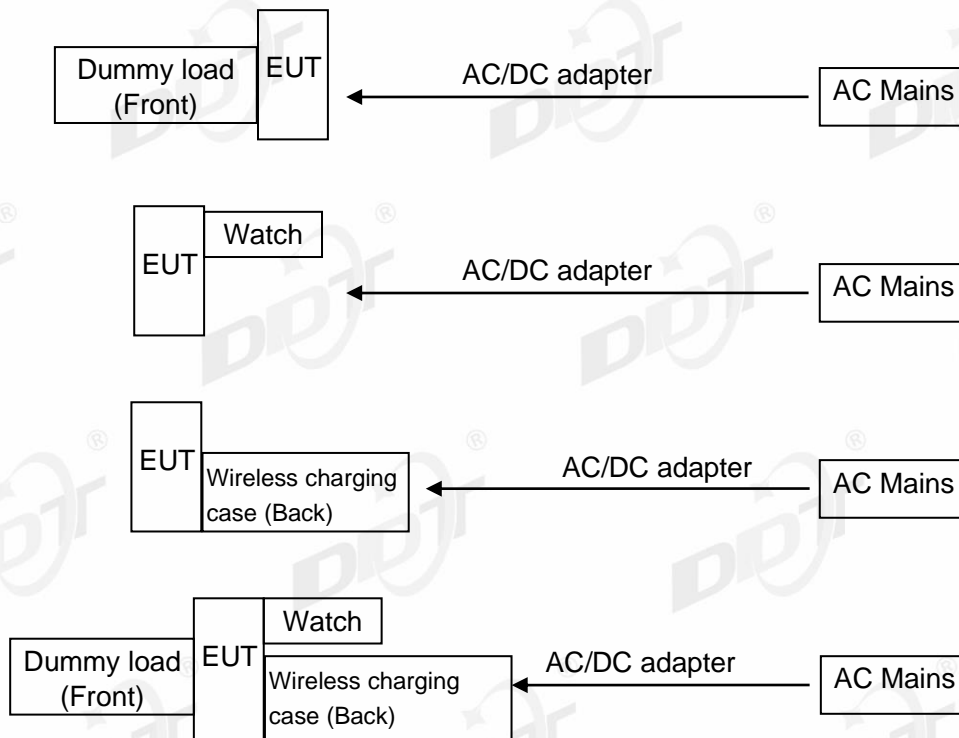
Description of Accessories	Manufacturer	Model number	Description	Remark
N/A	N/A	N/A	N/A	N/A

1.3. Assistant equipment used for test

Description of Accessories	Manufacturer	Model number	Serial No.	Other
Dummy load	N/A	N/A	N/A	N/A
Wireless charging case	Harman	TOUR PRO 2	N/A	N/A
Watch	HUAWEI	GT3	N/A	N/A
AC Adapter	UGREEN	CD137	N/A	Input: 100-240V~ 50/60Hz, Output: 5V/3A or 9V/2.22A or 12V/1.67A

1.4. Block diagram of EUT configuration for test

For mode 1: Tx mode:



For mode 2: Standby mode:



Note: Scan with mode 1 and mode 2, the worst case is mode 1 Tx mode and recorded in this report.

1.5. Assess laboratory

Dongguan Dongdian Testing Service Co., Ltd

Add.: No. 17, Zongbu Road 2, Songshan Lake Sci&Tech, Industry Park, Dongguan City, Guangdong Province, China, 523808

Tel.: +86-0769-38826678, <http://www.dgddt.com>, Email: ddt@dgddt.com

CNAS Accreditation No. L6451; A2LA Accreditation Number: 3870.01

FCC Designation Number: CN1182, Test Firm Registration Number: 540522

Innovation, Science and Economic Development Canada Site Registration Number: 10288A

Conformity Assessment Body identifier: CN0048

VCCI facility registration number: C-20087, T-20088, R-20123, R-20155, G-20118

2. Equipment Used During Test

Equipment	Manufacturer	Model No.	Serial No.	Last Cal.	Cal. Interval
Electric and Magnetic Field Analyzer	narda	EHP-200A	170WX91016	Dec. 22, 2021	1 Year

3. Method of Measurement

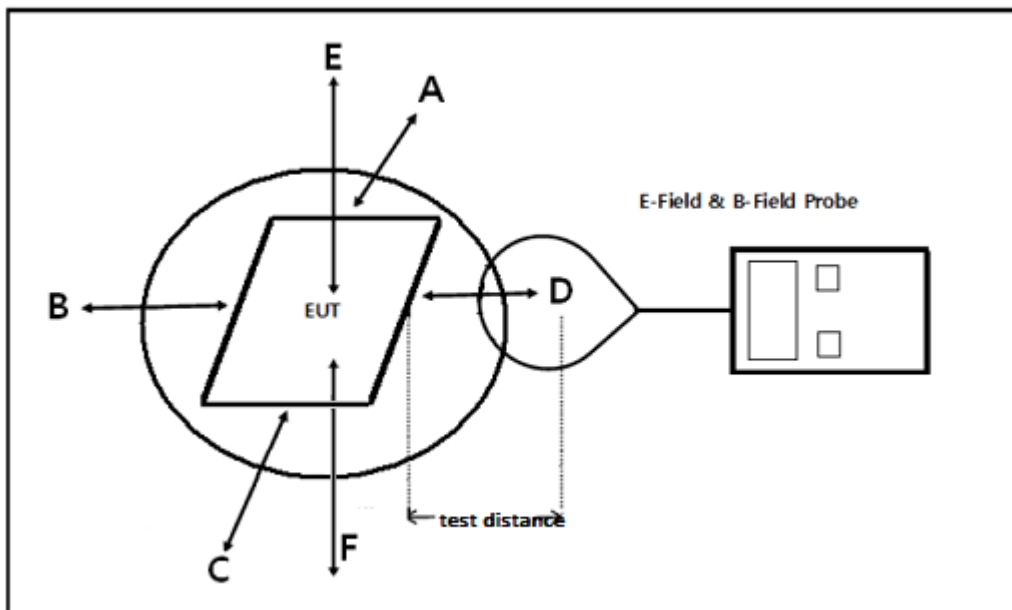
3.1. Applicable standard

According to §1.1307(b)(1), systems operating under the provisions of this section shall be operated in a manner that ensures that the public is not exposed to radio frequency energy level in excess of the Commission's guidelines.

According to §1.1310 and §2.1091 RF exposure is calculated.

According KDB 680106 D01 RF Exposure Wireless Charging App v03r01.

3.2. Block diagram of test setup



Note: Due to installation limitations no tests from the underside of the charging device (Test Position F) are required.

3.3. Test procedure

- The RF exposure test was performed in shielded chamber.
- The measurement probe was placed at test distance 15 cm surrounding the device, and 20 cm away from the surface from all coils that by design can simultaneously transmit.
- The measurement probe used to search of highest strength.
- The highest emission level was recorded and compared with limit as soon as measurement of each points(A, B, C, D, E) were completed.
- The EUT were measured according to the dictates of KDB 680106 D01 RF Exposure Wireless Charging App v03r01.

3.4. Equipment approval considerations:

The EUT does comply with section 5 b) of KDB 680106 D01 RF Exposure Wireless Charging App v03r01.

(1) Power transfer frequency is less than 1 MHz.

Yes; the device operates in the frequency range from 113 kHz-175 kHz and 324.33 kHz

(2) Output power from each primary coil is less than or equal to 15 watts

Yes; the maximum output power of the primary coil is 15 W.

(3) The system may consist of more than one source primary coils, charging one or more clients.

If more than one primary coil is present, the coil pairs may be powered on at the same time.

Yes.

(4) Client device is placed directly in contact with the transmitter.

Yes.

(5) Mobile exposure conditions only (portable exposure conditions are not covered by this exclusion).

Yes; the EUT is a Mobile device.

(6) The aggregate H-field strengths anywhere at or beyond 15 cm surrounding the device, and 20 cm away from the surface from all coils that by design can simultaneously transmit, and while those coils are simultaneously energized, are demonstrated to be less than 50% of the applicable MPE limit.

Yes; EUT was evaluated as above.

TABLE 1—LIMITS FOR MAXIMUM PERMISSIBLE EXPOSURE (MPE)

Frequency range (MHz)	Electric field strength (V/m)	Magnetic field strength (A/m)	Power density (mW/cm ²)	Averaging time (minutes)
(A) Limits for Occupational/Controlled Exposure				
0.3-3.0	614	1.63	*100	6
3.0-30	1842/f	4.89/f	*900/f ²	6
30-300	61.4	0.163	1.0	6
300-1,500			f/300	6
1,500-100,000			5	6
(B) Limits for General Population/Uncontrolled Exposure				
0.3-1.34	614	1.63	*100	30
1.34-30	824/f	2.19/f	*180/f ²	30
30-300	27.5	0.073	0.2	30
300-1,500			f/1500	30
1,500-100,000			1.0	30

f = frequency in MHz * = Plane-wave equivalent power density

3.5. E and H Field Strength

Test mode for wireless charger:

Dummy load (Front): 15W Load, 10W Load, 5W Load and 7.5W Load mode

Wireless charging case (Back) has been charged at 10%, 50% and 99% battery electric quantity

Watch has been charged at 10%, 50% and 99% battery electric quantity

Dummy load (Front):

E-Filed Strength at 15 cm from the edges surrounding the EUT and 20 cm above the top surface of the EUT (V/m)

Test Position	Probe Measure Result(V/m)			Limits Test (V/m)
	Full Load	Zero charge	intermediate charge	
A	12.129	6.9157	8.8577	614
B	12.434	8.2142	9.8332	614
C	11.719	7.1616	8.9580	614
D	11.243	10.100	11.957	614
E-20cm	16.106	5.3901	4.1248	614

H-Filed Strength at 15 cm from the edges surrounding the EUT and 20 cm above the top surface of the EUT (A/m)

Test Position	Probe Measure Result(A/m)			Limits Test (A/m)
	Full Load	Zero charge	intermediate charge	
A	0.1606	0.4695	0.5462	1.63
B	0.8078	0.3235	0.2861	1.63
C	0.4174	0.7712	0.8027	1.63
D	0.8024	0.3454	0.2544	1.63
E-20cm	0.3717	0.1861	0.2481	1.63

Wireless charging case (Back):

E-Filed Strength at 15 cm from the edges surrounding the EUT and 20 cm above the top surface of the EUT (V/m)

Test Position	Probe Measure Result(V/m)			Limits Test (V/m)
	99%	10%	50%	
A	0.6165	0.7357	0.6529	614
B	0.5471	0.5700	0.7739	614
C	1.0041	0.9674	0.9769	614
D	0.6316	0.7430	0.6939	614
E-20cm	0.6244	1.1656	0.9400	614

H-Filed Strength at 15 cm from the edges surrounding the EUT and 20 cm above the top surface of the EUT (A/m)

Test Position	Probe Measure Result(A/m)			Limits Test (A/m)
	99%	10%	50%	
A	0.0564	0.1168	0.4022	1.63
B	0.0957	0.1120	0.0921	1.63
C	0.0884	0.0881	0.0606	1.63
D	0.1064	0.1286	0.0553	1.63
E-20cm	0.1471	0.1537	0.1743	1.63

Watch:

E-Filed Strength at 15 cm from the edges surrounding the EUT and 20 cm above the top surface of the EUT (V/m)

Test Position	Probe Measure Result(V/m)			Limits Test (V/m)
	99%	10%	50%	
A	0.5618	0.5964	0.6401	614
B	0.5471	0.8843	0.7921	614
C	0.5610	0.8107	0.6031	614
D	0.6947	1.1063	0.8013	614
E-20cm	0.6015	0.8451	0.8216	614

H-Filed Strength at 15 cm from the edges surrounding the EUT and 20 cm above the top surface of the EUT (A/m)

Test Position	Probe Measure Result(A/m)			Limits Test (A/m)
	99%	10%	50%	
A	0.0563	0.0924	0.0777	1.63
B	0.0580	0.0553	0.0563	1.63
C	0.0604	0.0569	0.0578	1.63
D	0.0745	0.0577	0.0553	1.63
E-20cm	0.0656	0.0564	0.0564	1.63

Full load:

E-Filed Strength at 15 cm from the edges surrounding the EUT and 20 cm above the top surface of the EUT (V/m)

Test Position	Probe Measure Result(V/m)			Limits Test (V/m)
	99%	10%	50%	
A	10.126	12.948	11.254	614
B	8.4767	10.885	9.1420	614
C	4.7820	6.7130	6.2811	614
D	10.154	12.262	10.676	614
E-20cm	3.6615	5.6086	3.9933	614

H-Filed Strength at 15 cm from the edges surrounding the EUT and 20 cm above the top surface of the EUT (A/m)

Test Position	Probe Measure Result(A/m)			Limits Test (A/m)
	99%	10%	50%	
A	0.2218	0.2558	0.1931	1.63
B	0.2495	0.2557	0.2702	1.63
C	0.1626	0.1946	0.1850	1.63
D	0.3902	0.4477	0.3853	1.63
E-20cm	0.2113	0.1575	0.1890	1.63