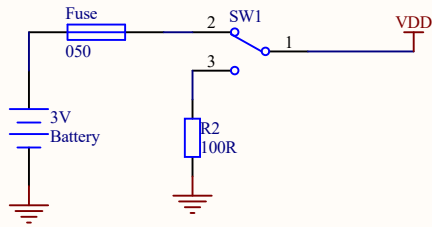
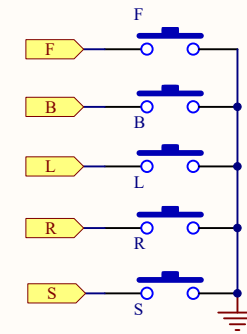
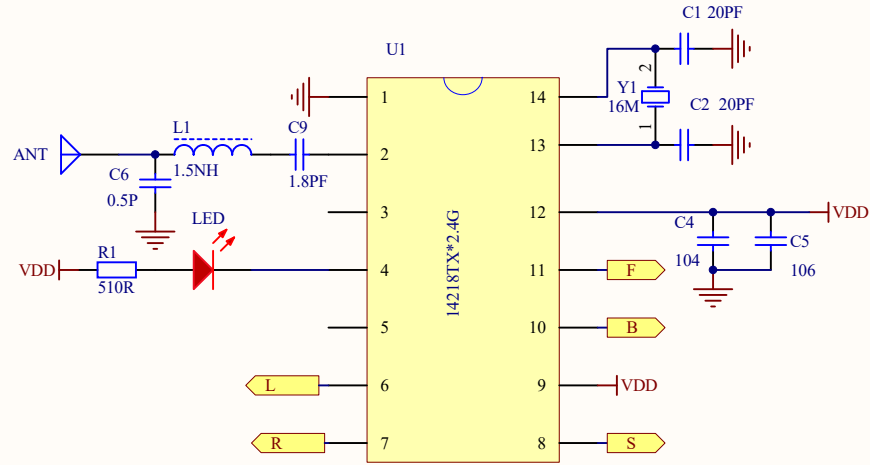


14218TX schematic



Title		
Size A4	Number	Revision
Date:	2022/11/1	Sheet of
File:	C:\Users\...\14218 TX SCH(1).SchDoc	Drawn By: