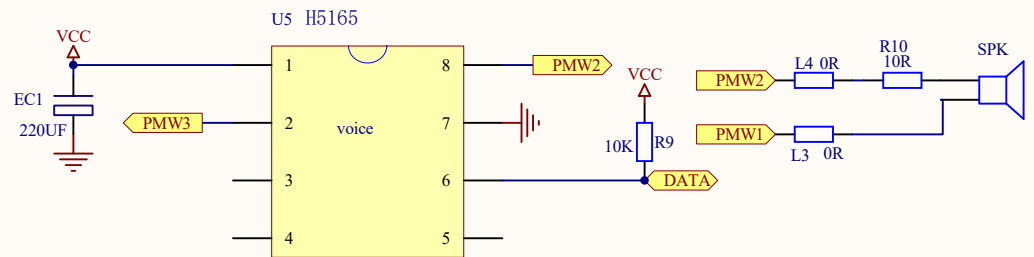
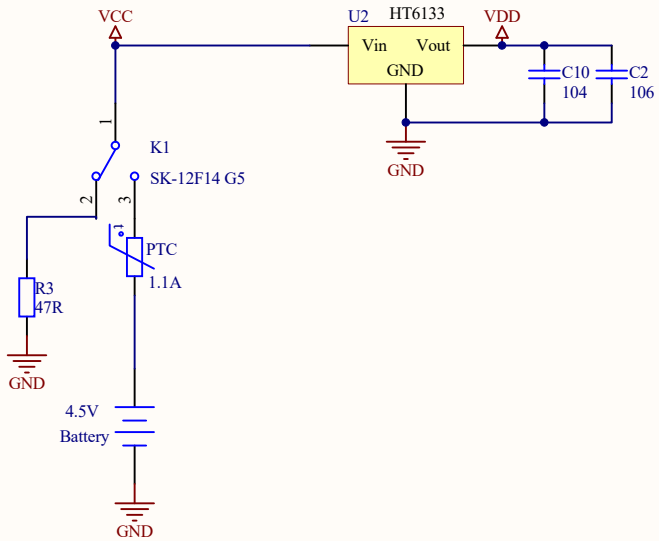
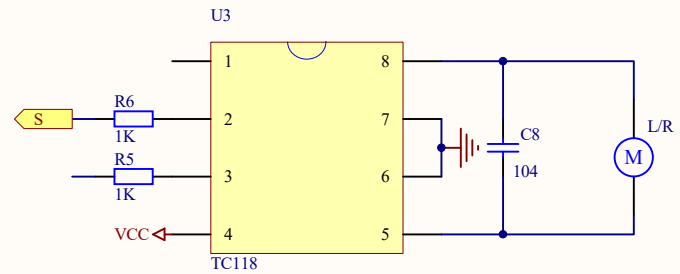
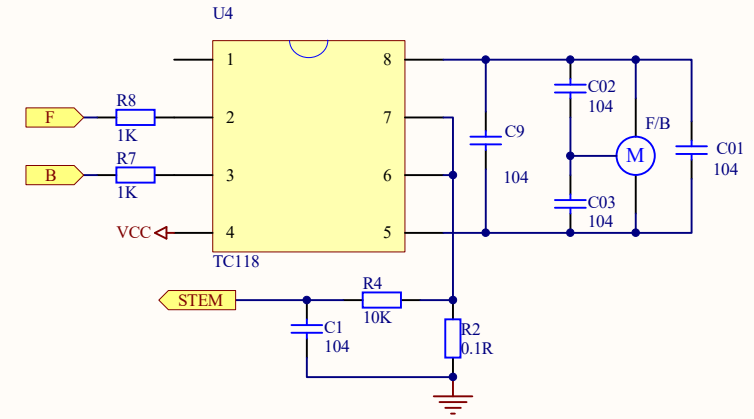
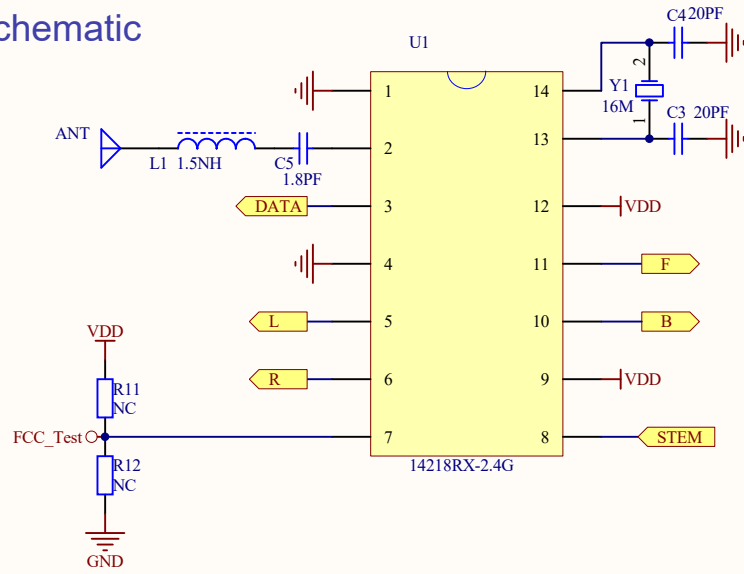


# 14218RX schematic



Title		
Size	Number	Revision
A4		
Date:	2022/11/2	Sheet of
File:	C:\Users\...\14218 RX SCH(1).SchDoc	Drawn By: