

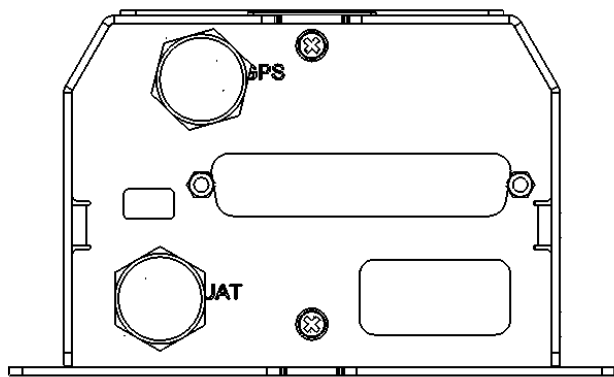
12 PROPRIETARY NOTICE
 This document and the information disclosed herein are proprietary data of Aviation Communication & Surveillance Systems, LLC. Neither this document nor the information contained herein shall be reproduced, used, or disclosed to others without the written authorization of Aviation Communication

11 NOTICE
 FREEDOM OF INFORMATION ACT (5 USC 552) AND DISCLOSURE OF CONFIDENTIAL INFORMATION GENERALLY (18 USC 1905)
10 THIS DOCUMENT IS BEING FURNISHED IN CONFIDENCE BY ACSS, LLC
 THE INFORMATION DISCLOSED HEREIN FALLS WITHIN EXEMPTION (b) (4) OF 5 USC 552 AND THE PROHIBITIONS OF 18 USC 1905.

9 EXPORT NOTICE (EAR)
 THIS TECHNICAL DATA IS CONTROLLED UNDER THE EXPORT ADMINISTRATION REGULATIONS (EAR) AND MAY NOT BE EXPORTED TO A FOREIGN PERSON, EITHER IN THE U.S. OR ABROAD, WITHOUT THE PROPER AUTHORIZATION BY THE U.S. DEPARTMENT OF COMMERCE

REVISIONS				
ECR NO	REV	ZONE	DESCRIPTION	
014656	-		INITIAL RELEASE	20-SEP-2013
014765	A		THIS SHEET NOT AFFECTED	06-NOV-2013
015302	B	I/9	UPDATED TABLE AND DRAFTING IMPROVEMENTS	22-JULY-2014
015413	C		ADDED FLAG NOTE 4	06-OCT-2014

PRODUCTION END ITEM OPERATIONAL SOFTWARE / FIRMWARE CONFIGURATION TABLE		
PART NUMBER	DEFAULT SOFTWARE LOAD	BOOT LOADER
9022500-10000	9121105-001	9121110-001

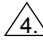


NOTES :


1  THIS DEVICE IS SUBJECT TO DAMAGE BY ELECTROSTATIC CHARGES.

2  APPLY ITEM 2 TO ITEM 1 APPROXIMATE LOCATION SHOWN, PER ITEM 701.

3 TEST PER ITEM 702.

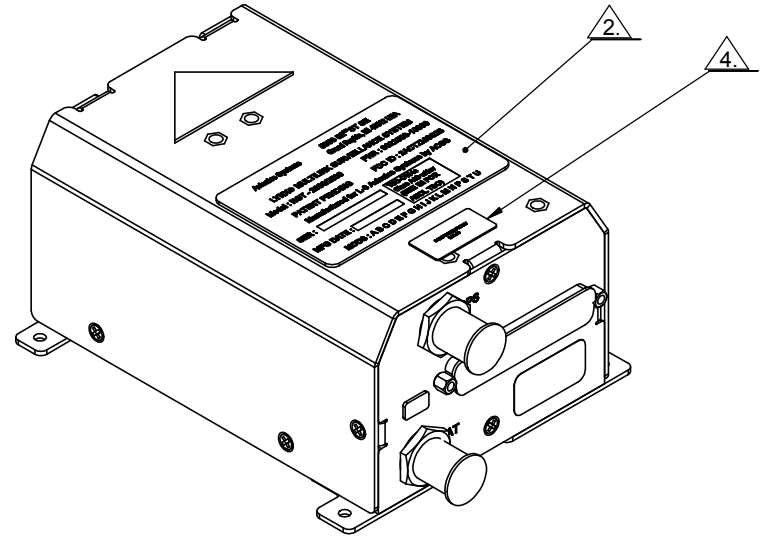
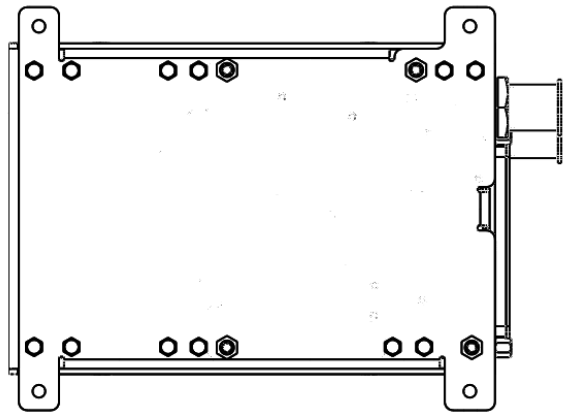
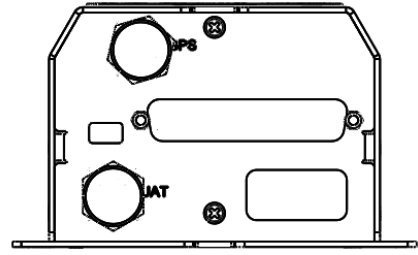
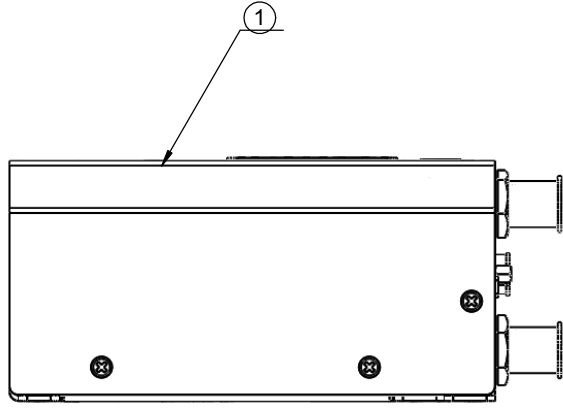
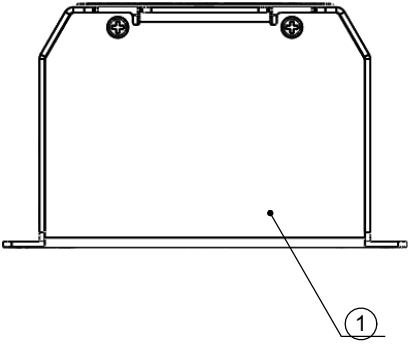
4  APPLY ITEM 6 TO ITEM 1 APPROXIMATELY AS SHOWN, PER ITEM 701.

SEE SEPARATE PARTS LIST

INTERPRET DIMENSIONS AND TOLERANCES PER ASME Y14.5-2009		 Aviation Communication & Surveillance Systems 18810 North 7th Avenue Phoenix, Arizona 85027-4400
UNLESS OTHERWISE SPECIFIED, DIMENSIONS ARE IN mm.		
TOLERANCES		TITLE
		ASSEMBLY, NGT-2000/2500 END ITEM
THIRD ANGLE PROJECTION		DRAWING NO
		9022500-10000
9022500-10000	9022500-10000	REV
NEXT ASSY	END ITEM	C
APPLICATION		CAGE CODE : 1WYD3 SHEET 1 OF 2

12 11 10 9 8 7 6 5 4 3 2 1

REVISIONS				
ECR NO	REV	ZONE	DESCRIPTION	
014656	-		INITIAL RELEASE	20-SEP-2013
014765	A	H/3	REMOVE INCORRECT ARROW	06-NOV-2013
015302	B	VAR	DRAFTING IMPROVEMENTS	22-JULY-2014
015413	C	J/11 J/11 F/3	DELETE FLAG NOTE 2 DELETE ITEM 2 ADD ISOMETRIC VIEW	06-OCT-2014



12 11 10 9 8 7 6 5 4 3 2 1

<p>ACSS An L-3 Communications & Thales Company</p>	<p>USE OR DISCLOSURE OF INFORMATION ON THIS SHEET IS SUBJECT TO THE RESTRICTION ON THE FIRST SHEET OF THIS DOCUMENT</p>	DRAWING NO	REV
		9022500-10000	C
		CAGE CODE : 1WYD3	SHEET 2 OF 2