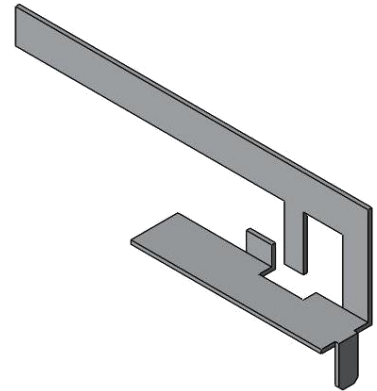


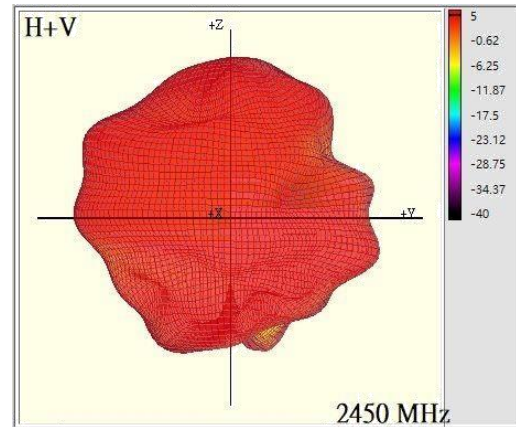
Features

- Single band IEEE 802.11 b/g/n/ax standard
- On board mount
- High efficiency
- Quick integration



Specification(Preliminary)

Frequency (MHz)	2400 ~ 2500
Peak Gain (dBi)	5.2
VSWR	2.0:1
Power (Watts)	1
Impedance (Ohms)	50
Dimension (mm)	28.1 x 11 x 4 x 0.3
Weight (g)	TBD
Connector	IPEX
Cable length (mm)	65
Operating Temp (°C)	-40°C ~ +85°C



2.45GHz

1