

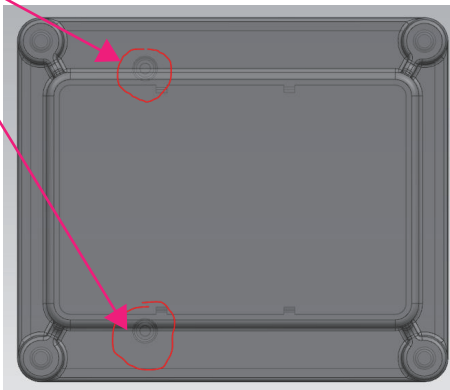
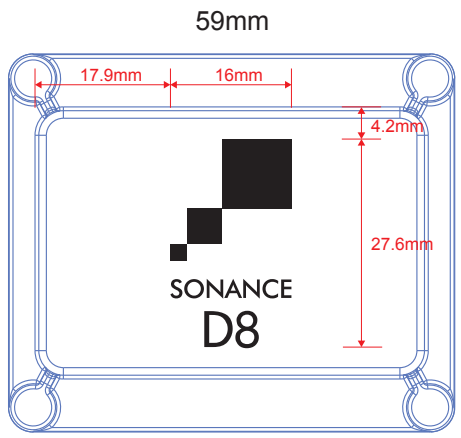
8 7 6 5 4 3 2 1

THE INFORMATION CONTAINED IN THIS DRAWING IS THE SOLE PROPERTY OF HANSONG(NANJING) TECHNOLOGY CO.,LTD. ANY REPRODUCTION IN PART OR WHOLE WITHOUT THE WRITTEN PERMISSION OF HANSONG(NANJING) TECHNOLOGY CO.,LTD. IS PROHIBITED.

REVISIONS			
REV.	CHANGE DETAIL	PURPOSE	DATE
--	---	-	-

Sonance D8 Amplifier
Silkscreen 11/14/2017

请以此孔为定位方向 (定位柱在左边)



丝印颜色: 白色

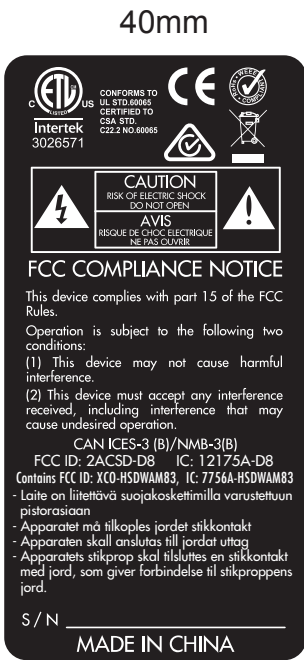
要求: 丝印时请注意零件的摆放方向, 请以反面的圆孔为定位方向

ITEM	PART OR IDENTIFYING NO.	NOMENCLATURE OR DESCRIPTION	MATERIAL SPECIFICATION	QTY REQD
PARTS LIST				
UNLESS OTHERWISE SPECIFIED DIMENSIONS ARE IN MILLIMETER TOLERANCES ARE:	CAD generated drawing Don't manually update		HANSONG(NANJING) TECHNOLOGY CO.,LTD. NO. HS/QR-RD-26	
	MODEL: D8	QTY:	PART NAME: SONANCE D8 蓝牙盒子丝印图	
Linear:GB/T1804-m OR ISO 2768-m	APPROVALS Drawn by ME Lydia	DATE 2018/01/11	PART NO.: 71-3-086902-0AZ	
APPLICATION	Weight	Checked by Compliance	DWG. NO.: HS40-0869-B12V1-SR04	
QUOTATION		Checked by Team leader	SCALE fit 1:1	
SAMPLE	3RD ANGLE PROJECTION	Approved by ME Manager	REV. A	A4 Size
TOOLING				SHEET 1 OF 1
PRODUCTION				

8 7 6 5 4 3 2 1
 THE INFORMATION CONTAINED IN THIS DRAWING IS THE SOLE PROPERTY OF HANSONG(NANJING) TECHNOLOGY CO.,LTD. ANY REPRODUCTION IN PART OR WHOLE WITHOUT THE WRITTEN PERMISSION OF HANSONG(NANJING) TECHNOLOGY CO.,LTD. IS PROHIBITED.

REVISIONS			
REV.	CHANGE DETAIL	PURPOSE	DATE
B	--更改标签中小字部分, 将小字增大	-	2018/01/12
C	更改FCC ID IC Grante code		2018/06/08
	增加contains FCC ID,IC		2018/07/25

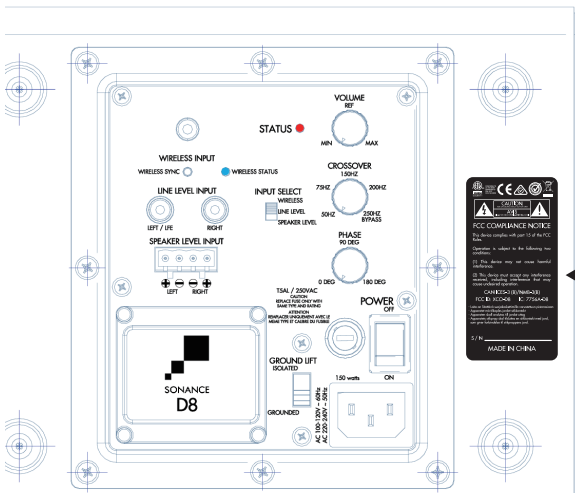
Sonance D8 Amplifier
 Silkscreen 11/14/2017



R=3mm

80mm

- 要求:
1. 尺寸: 40X80mm, R=3mm
 2. 材质: 白色PET,反面背胶
 3. 印刷:黑底白字
 4. 正面覆哑光膜
 5. 粘贴位置: 木箱(1)



标签粘贴位置



ITEM	PART OR IDENTIFYING NO.	NOMENCLATURE OR DESCRIPTION	MATERIAL SPECIFICATION	QTY REQD
PARTS LIST				
UNLESS OTHERWISE SPECIFIED DIMENSIONS ARE IN MILLIMETER TOLERANCES ARE: Linear:GB/T1804-m OR ISO 2768-m	CAD generated drawing Don't manually update		HANSONG(NANJING) TECHNOLOGY CO.,LTD. NO. HS/QR-RD-26	
	MODEL: D8	QTY:		
APPROVALS	DATE	PART NAME	SONANCE D8 认证铭牌标签	
Drawn by ME Lydia	2018/06/08	PART NO.	85-1-086901-2	
APPLICATION	Weight	Checked by Compliance	DWG. NO. HS40-0869-B12V1-SL01	
QUOTATION		Checked by Team leader		
SAMPLE	3RD ANGLE PROJECTION	Approved by ME Manager		
TOOLING				
PRODUCTION				
SCALE fit 1:1		REV. C	A4 Size	SHEET 1 OF 1

WIRELESS INPUT

WIRELESS SYNC

WIRELESS LEVEL

STATUS

INPUT SELECT

WIRELESS

WIRELESS LEVEL

SPEAKER LEVEL

VOLUME

MIN

MAX

CROSSOVER

75HZ

200HZ

30HZ

250HZ

BYPASS

PHASE

90 DEG

180 DEG

POWER
OFF

SONANCE
D8

GROUND LIFT
ISOLATED

GROUND

TS1A / 250NAC

CONTROL
REPLACES YOUR CURRENT MAIN
LINE TRIPE AND SENSORS

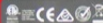
ATTENTION:
REPLACEMENT OF THIS UNIT IS
NECESSARY TO MAINTAIN YOUR
WARRANTY.

150 watts

ON

AC 100-120V ~ 60Hz

AC 220-240V ~ 50Hz



FCC COMPLIANCE NOTICE

This device complies with part 15 of the FCC Rules.

Operation is subject to the following two conditions:

(1) This device may not cause harmful interference.

(2) If this device does cause any interference, you must stop using it until you can consult your dealer for help.

CAUTION: X-RAYS

CAUTION: X-RAYS

CAUTION: X-RAYS

CAUTION: X-RAYS

CAUTION: X-RAYS

CAUTION: X-RAYS

CAUTION: X-RAYS

CAUTION: X-RAYS

CAUTION: X-RAYS

CAUTION: X-RAYS

CAUTION: X-RAYS

CAUTION: X-RAYS

CAUTION: X-RAYS

CAUTION: X-RAYS

CAUTION: X-RAYS

CAUTION: X-RAYS

CAUTION: X-RAYS

CAUTION: X-RAYS