



radioshack

AGE 12+

6001381
USER'S GUIDE



Battle Drone



Contents

Features	3
Package Contents	3
Specifications	3
Fly Safely	3
Charge the Drone	4
Lithium Battery Notes	4
Install Batteries in the Remote Control	5
Battery Notes.....	5
Pairing.....	8
Fly Your Drone.....	8
Trim Your Drone	8
Land Your Drone.....	9
Perform Stunts	9
Dogfight!	9
Replace Damaged Propellers	10
Troubleshooting	11
Drone does not respond.....	11
Drone difficult to control.....	11
Calibrate Your Drone	11
FCC Information	12
Limited Warranty.....	13

CHOKING HAZARD!

Small parts. Not for children under 3 years.

We hope you enjoy your Battle Drone from RadioShack. Please read this user's guide before setting up and using your drone.

Features

- Drone Combat Mode
- Six-Axis Gyro
- Auto-stabilize feature
- USB charging

Package Contents

- Drone (2)
- Remote Control (2)
- USB Charging Cable (2)
- Spare Propellers (8)
- User's Guide

Specifications

Power	
Drone.....	3.7V lithium polymer battery
Remote Control.....	4 × AAA batteries
Control Distance	65 ft. (20m)

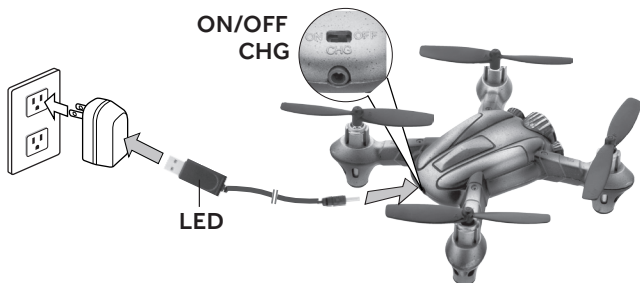
Specifications are subject to change and improvement without notice. Actual product may vary from the images found in this document.

Fly Safely

- When flying outdoors, keep the drone away from power lines, trees, water, and other obstacles.
- When flying indoors, keep the drone away from walls, air conditioning, air vents, fans, breakable objects, and other obstacles.
- Do not fly the drone near or at other people or animals.
- Keep eyes, hands, hair, and loose clothing away from moving propellers.
- Adult supervision is recommended at all times.

Charge the Drone

1. Set the drone's **ON/OFF** switch to **OFF**.



2. Connect the included USB charging cable to the drone's **CHG** jack and a USB power source. The USB connector LED lights red during charging, and turns off when charging is complete.

A full charge takes about 50 minutes, and gives you up to 5 minutes flight time.

3. After charging, unplug the charging cable.

CAUTION

- Use only the included USB charging cable to charge the drone's battery. Other cables may damage the drone.
- Always let the drone battery cool before recharging.

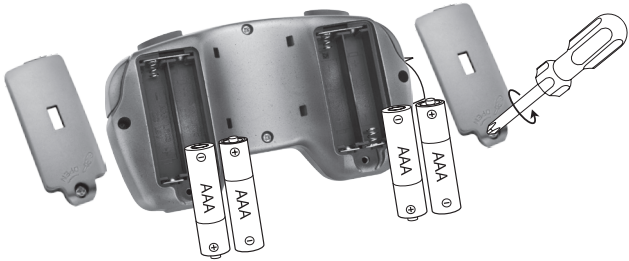
Lithium Battery Notes

Your drone uses a built-in lithium polymer battery for power. Follow the instructions for charging.

- **Do not charge longer than recommended. Unplug the charging cable when the drone is charged.**
- Do not puncture or crush. Do not disassemble.
- Do not dispose of lithium batteries in the trash.
- If the electrolyte in the cells should get on your skin, thoroughly wash with soap and water. If in the eyes, rinse thoroughly with cool water. Immediately seek medical attention.
- Do not attempt to charge or operate damaged toys.

Install Batteries in the Remote Control

1. On the remote control, set the **ON/OFF** switch to **OFF**.

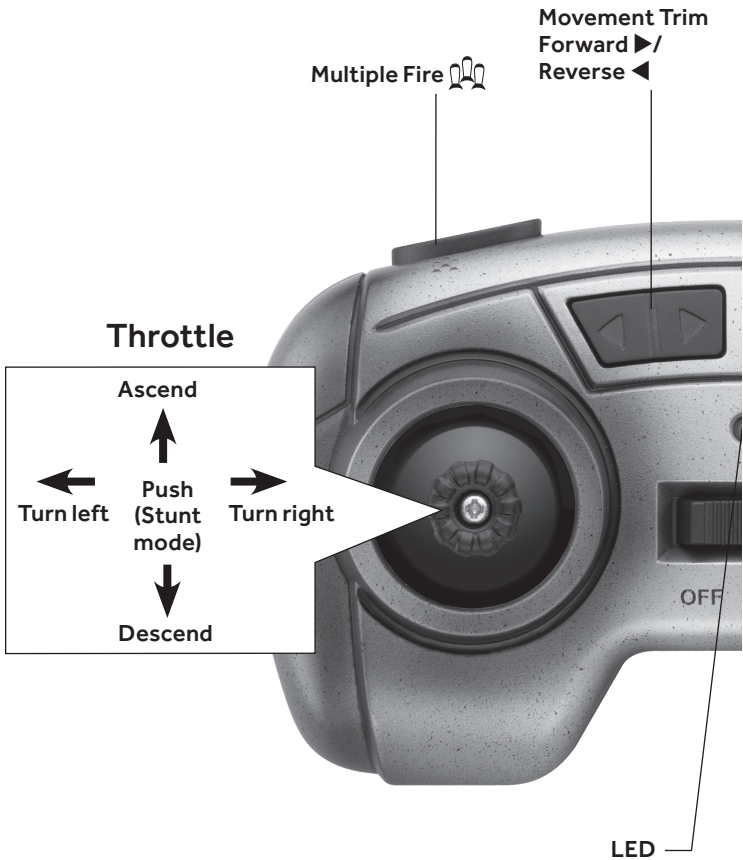


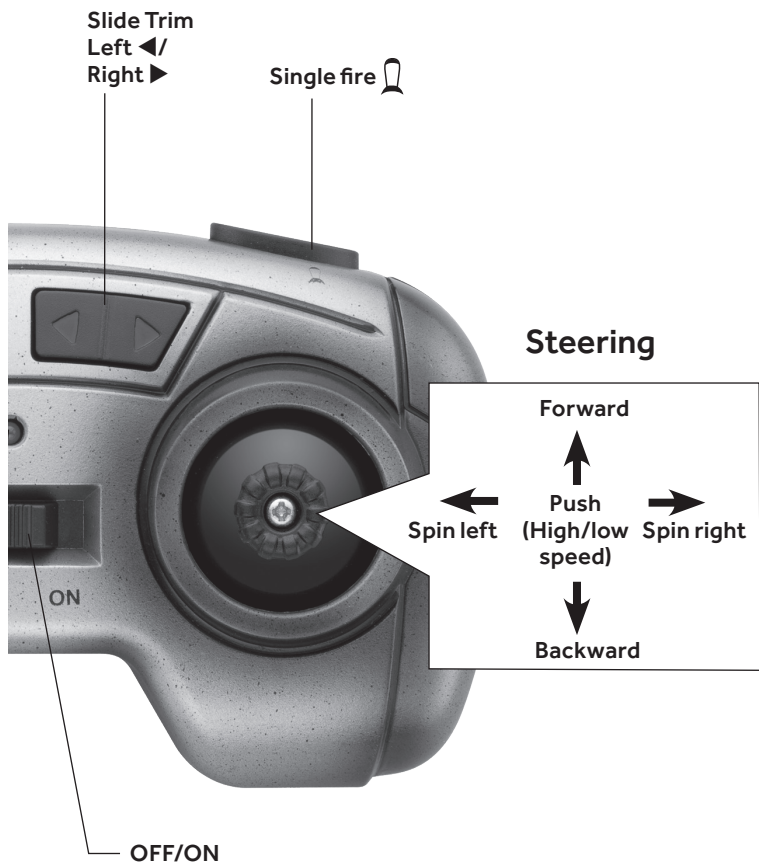
2. Use a screwdriver to open the twin battery compartments. Then insert four AAA batteries (not included), matching the polarities (+ and -) marked inside. Replace the cover.

Note: If the remote control's LED flashes during use, the batteries are low and should be replaced.

Battery Notes

- Dispose of old batteries promptly and properly. Do not burn or bury them. Use only fresh batteries of the required size and recommended type.
- Do not mix old and new batteries, different types of batteries (standard, alkaline, or rechargeable), or rechargeable batteries of different capacities.
- Remove batteries during longer storage periods. Batteries can leak chemicals that can damage electronic parts.





Pairing

Switch on and pair one drone and remote control at a time.

1. Turn on the drone. The drone's LEDs flash.
2. Place the drone on level ground.
3. Turn on the remote control. The remote control's LED flashes.
4. Move the throttle all the way up and then down to pair the remote control with the drone. The drone's propellers remain still during pairing. When paired, the LEDs on both the remote control and drone light steadily.

Note: If pairing fails, turn off the drone and remote control and repeat the steps above, or change locations to avoid interference.

Fly Your Drone

1. After pairing, push the steering control in to switch between high speed (double beep) and low speed (single beep).
2. With the drone on the ground, move the throttle forward to ascend. To avoid turbulence, fly the drone at least 1 ft. (30cm) off the ground.

For advanced users: Hold the remote control with one hand, resting your thumb on the throttle. Throw the drone about 9 ft. (3m) away from you, and move the throttle forward to fly. The drone adjusts itself automatically and flies smoothly.

IMPORTANT: If your drone lands upside down, pull the throttle all the way down. Wait for the propellers to stop before touching the drone.

Trim Your Drone

Move the throttle forward and see how the drone reacts.



Reverse/ Forward Movement Trim: If the drone tends to move forward, press ◀; if it tends to move backward, press ▶.



Left/Right Slide Trim: If the drone tends to slide right, press ◀; if it tends to slide left, press ▶.

Note: The remote control beeps when you press a trim control, but stops beeping when you reach maximum trim adjustment.

Land Your Drone

1. Slowly move the throttle backward to descend. Avoid moving the throttle too quickly, as it can stop the propellers instantly and cause the drone to crash.
2. When you finish playing, turn off the remote control and drone.

Perform Stunts



CAUTION: Make sure there is enough space for the drone to perform stunts without crashing into objects or people.

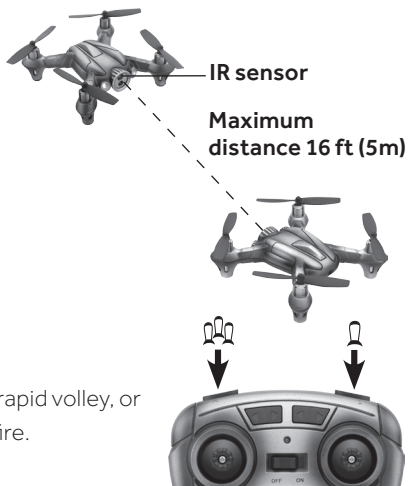
1. Push the throttle control to activate stunt mode. The remote control beeps repeatedly.
2. Use the steering control to perform stunts:
 - **Front flip:** Move steering forward
 - **Back flip:** Move steering backward
 - **Barrel roll:** Move steering right or left
3. The drone automatically exits stunt mode after performing a stunt, or push in the throttle control again to exit immediately.

Dogfight!

Battle with a friend. You will need to fly within close range to shoot deadly infrared missiles.

Each player has 3 lives per challenge. First drone to lose all 3 lives goes down!

1. Use the throttle and steering controls to fly and hover close. When within 16 ft of your opponent, level to fire.
 - Press and hold  for a rapid volley, or
 - Press  to shoot single fire.



2. When your drone is hit, the LEDs blink and the drone shakes and spins.
 - After receiving a third hit, the casualty drone will automatically slowly descend and land.
3. Never give up. Move throttle forward to take off for another battle!

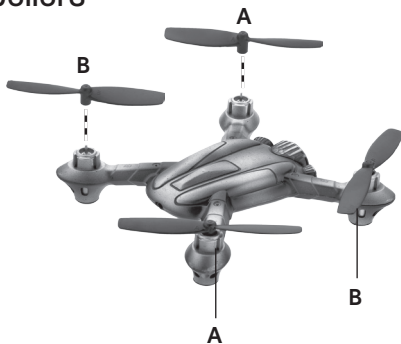
Replace Damaged Propellers

The left and right propellers of the drone are different, and marked **A/B** on the propeller. You must use the correct propeller in the correct location.

To replace a damaged propeller, remove the old one and press the new one onto the propeller axle. If you cannot remove the old propeller by hand, use pliers.

WARNING:

- To avoid injury and damage, check the propellers for nicks and breaks and make sure they are securely attached before and after each flight. Replace any damaged propellers.
- Use only the supplied propellers. Do not alter, modify, or customize the propellers.



Troubleshooting

Drone does not respond

- Make sure the drone and remote control are switched on and paired.
- Avoid pairing both drones at the same time within 10 feet as this causes interference. Pair each drone with its matching remote control individually.
- Drone battery maybe low. Fully charge the battery. See **“Charge the Drone.”**
- Remote control batteries maybe low. Replace the batteries.
- Make sure the drone is within the control range (65 ft) and in line of sight.
- In battle mode, make sure you fly within IR range (16 ft), and level with your opponent to shoot. Stage your battles indoors to avoid strong sunlight which affects IR reception.

Drone difficult to control

- The throttle control is very sensitive. Use small, fine movements to control.
- Propellers maybe bent. Adjust propellers by hand. If you cannot adjust them, replace with the spare propellers.
- Practice in low speed mode. See **“Fly Your Drone.”**
- The gyroscope inside your drone may need calibrating:

Calibrate Your Drone

1. With your drone and remote control switched on and paired, place the drone on level ground.
 2. Move the throttle all the way down.
 3. Move the steering forward and hold this position for a few seconds until the drone LEDs start to blink.
 4. Release the steering. The drone LEDs light steadily, indicating successful calibration. You are now ready for takeoff.
- See **“Trim Your Drone”** to fine tune hovering and movement to further improve control of your drone after calibration.

FCC Information

This equipment has been tested and found to comply with the limits for a Class B digital device, pursuant to Part 15 of the FCC Rules. These limits are designed to provide reasonable protection against harmful interference in a residential installation. This equipment generates, uses, and can radiate radio frequency energy and, if not installed and used in accordance with the instructions, may cause harmful interference to radio communications. However, there is no guarantee that interference will not occur in a particular installation. If this equipment does cause harmful interference to radio or television reception, which can be determined by turning the equipment off and on, the user is encouraged to try to correct the interference by one or more of the following measures:

- Reorient or relocate the receiving antenna.
- Increase the separation between the equipment and receiver.
- Connect the equipment into an outlet on a circuit different from that to which the receiver is connected.
- Consult the dealer or an experienced radio/TV technician for help.

If you cannot eliminate the interference, the FCC requires that you stop using your equipment. Changes or modifications not expressly approved by the party responsible for compliance could void the user's authority to operate the equipment.

This device complies with Part 15 of the FCC Rules. Operation is subject to the following two conditions: (1) this device may not cause harmful interference, and (2) this device must accept any interference received, including interference that may cause undesired operation.

Limited Warranty

General Wireless Operations Inc., doing business as RadioShack (hereafter "RadioShack") warrants this product against defects in materials and workmanship under normal use by the original purchaser for **ninety (90) days** after the date of purchase from a RadioShack-owned store or an authorized RadioShack franchisee or dealer. **RADIOSHACK MAKES NO OTHER EXPRESS WARRANTIES.**

This warranty does not cover: (a) damage or failure caused by or attributable to abuse, misuse, failure to follow instructions, improper installation or maintenance, alteration, accident, Acts of God (such as floods or lightning), or excess voltage or current; (b) improper or incorrectly performed repairs by persons who are not a RadioShack authorized service facility; (c) consumables such as fuses or batteries; (d) ordinary wear and tear or cosmetic damage; (e) transportation, shipping or insurance costs; (f) costs of product removal, installation, set-up service, adjustment or reinstallation; and (g) claims by persons other than the original purchaser.

Should a problem occur that is covered by this warranty, take the product and the RadioShack sales receipt as proof of purchase date to any RadioShack store in the U.S. RadioShack will, at its option, unless otherwise provided by law (a) replace the product with the same or a comparable product, or (b) refund the purchase price. All replaced products, and products on which a refund is made, become the property of RadioShack.

RADIOSHACK EXPRESSLY DISCLAIMS ALL WARRANTIES AND CONDITIONS NOT STATED IN THIS LIMITED WARRANTY. ANY IMPLIED WARRANTIES THAT MAY BE IMPOSED BY LAW, INCLUDING THE IMPLIED WARRANTY OF MERCHANTABILITY AND, IF APPLICABLE, THE IMPLIED WARRANTY OF FITNESS FOR A PARTICULAR PURPOSE, SHALL EXPIRE ON THE EXPIRATION OF THE STATED WARRANTY PERIOD.

EXCEPT AS DESCRIBED ABOVE, RADIOSHACK SHALL HAVE NO LIABILITY OR RESPONSIBILITY TO THE PURCHASER OF THE PRODUCT OR ANY OTHER PERSON OR ENTITY WITH RESPECT TO ANY LIABILITY, LOSS OR DAMAGE CAUSED DIRECTLY OR INDIRECTLY BY USE OR PERFORMANCE OF THE PRODUCT OR ARISING OUT OF ANY BREACH OF THIS WARRANTY, INCLUDING, BUT NOT LIMITED TO, ANY DAMAGES RESULTING FROM INCONVENIENCE AND ANY LOSS OF TIME, DATA, PROPERTY, REVENUE, OR PROFIT AND ANY INDIRECT, SPECIAL, INCIDENTAL, OR CONSEQUENTIAL DAMAGES, EVEN IF RADIOSHACK HAS BEEN ADVISED OF THE POSSIBILITY OF SUCH DAMAGES.

Some states do not allow limitations on how long an implied warranty lasts or the exclusion or limitation of incidental or consequential damages, so the above limitations or exclusions may not apply to you. This warranty gives you specific legal rights, and you may also have other rights which vary from state to state.

Contact General Wireless Operations Inc. at:
RadioShack Customer Relations
300 RadioShack Circle
Fort Worth, TX 76102

07/15

www.radioshack.com

RoHS Complies with the European Union's "Restriction of Hazardous Substances Directive," which protects the environment by restricting specific hazardous materials and products.



© 2015 General Wireless Operations Inc.
All rights reserved. RadioShack is a registered
trademark used by General Wireless Operations Inc.

Printed
in China

08A15
6001381