



6001352

Zeraxa Drone with Camera

User's Guide



We hope you enjoy your Zeraxa Drone with Camera from RadioShack. Please read this user's guide before setting up and using your drone.

CHOKING HAZARD! Small parts. Not for children under 3 years.

Package Contents

- Zeraxa Drone with Camera
- Remote Control
- USB Charging Cable
- Spare Blades (2)
- 3.7V Drone Battery
- User's Guide

Specifications

| | |
|------------------------|------------------------------|
| Power | |
| Drone..... | 3.7V lithium polymer battery |
| Remote control | 4 × AA batteries |
| Lens Resolution | 640 × 480 |
| Control Distance | 200 ft. (60.96m) |

Specifications are subject to change and improvement without notice. Actual product may vary from the images found in this document.

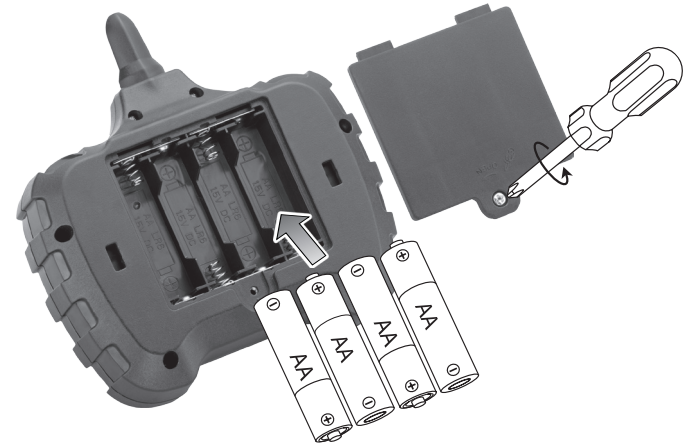
Fly Safely

- When flying outdoors, keep the drone away from power lines, trees, weeds, and water.
- When flying indoors, keep the drone away from walls, air conditioning, air vents, fans, breakable objects, and other obstacles.
- Do not fly the drone near or at other people or animals.
- Keep eyes, hands, hair, and loose clothing away from moving blades.
- If the drone crashes, the SD card may fall out and be lost.
- Adult supervision is recommended at all times.

Install Batteries in the Remote Control

1. On the remote control, set the **ON/OFF/Special** switch to **OFF**.
2. Use a screwdriver to open the battery compartment.
3. Insert four AA batteries (not included), matching the polarities (+ and -) marked inside. Use alkaline batteries for optimal performance. Replace the cover.

Note: If the remote control's LED flashes during use, the batteries are low and should be replaced.

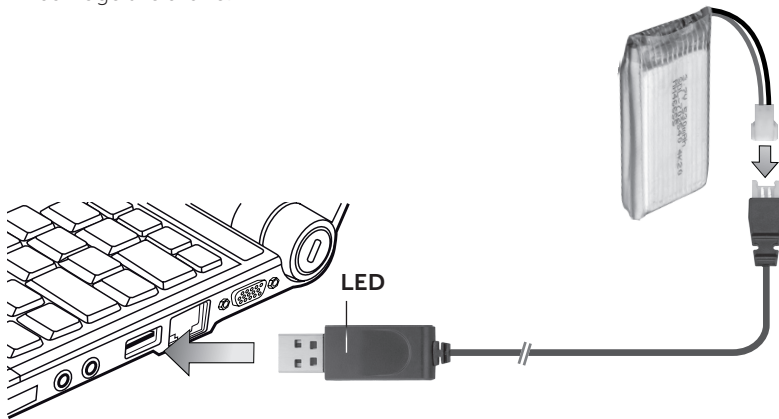


Charge the Drone Battery

Your drone uses a lithium polymer battery for power.

1. Use a screwdriver to open the drone battery compartment door.
2. Take out the battery. Holding the battery connector (**NOT** the cable), carefully unplug the battery from the drone.
3. Use the USB charging cable to connect the battery to a USB power source, such as a laptop. The LED on the USB connector lights red during charging, and turns off when charging is complete.
A full charge takes about 100 minutes. A fully charged battery provides up to 5 minutes fly time with camera function.
4. After charging, unplug the USB charging cable. Do not attempt to overcharge the battery.

Caution: Use and charge only the supplied lithium battery with the included USB charging cable. Using any other battery and cable may damage the drone.

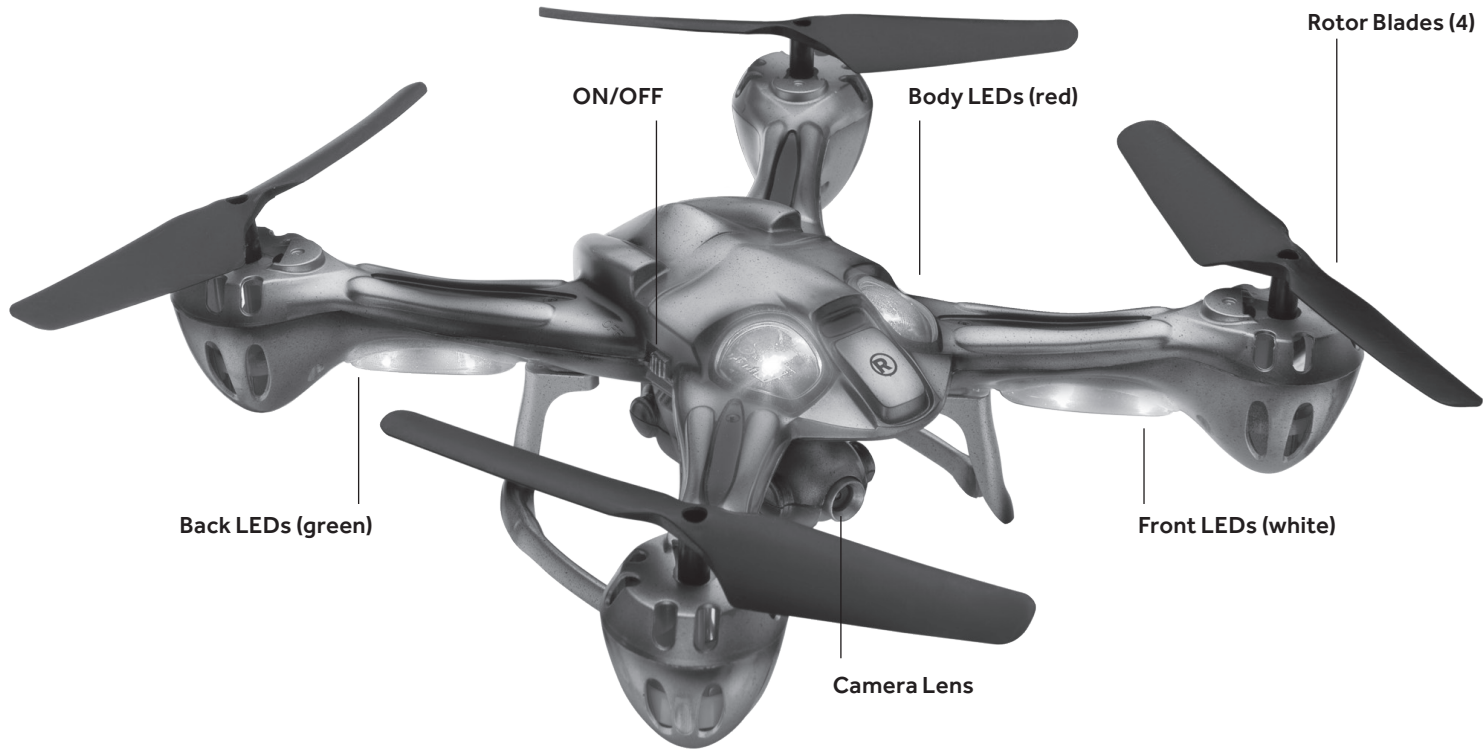


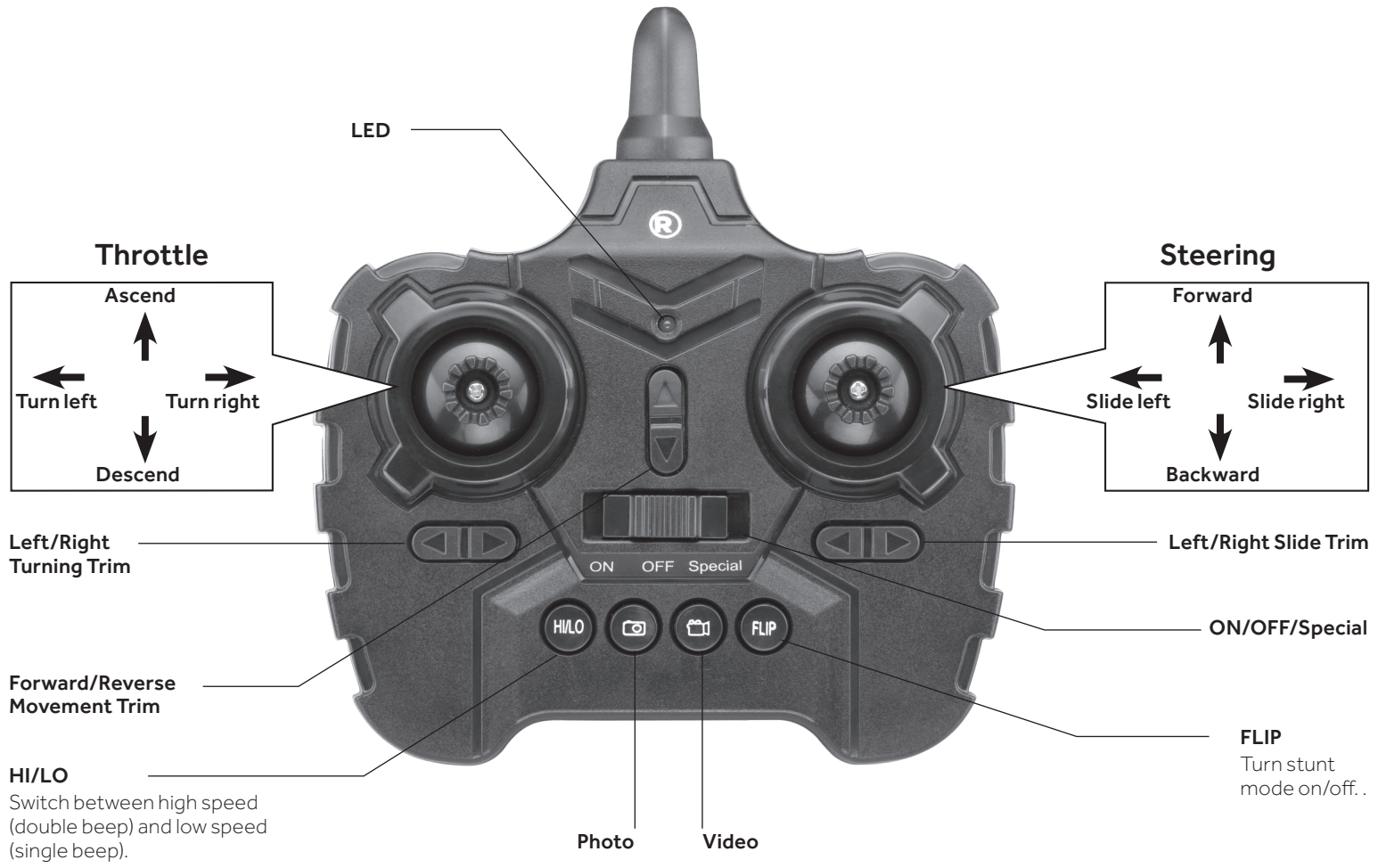
Battery Notes

- Always let the drone battery cool before recharging.
- Dispose of old batteries promptly and properly. Do not burn or bury them. Use only fresh batteries of the required size and recommended type.
- Do not mix old and new batteries, different types of batteries (standard, alkaline, or rechargeable), or rechargeable batteries of different capacities.
- If you do not plan to use the drone for a long period, remove the batteries from the remote control. Batteries can leak chemicals that can damage electronic parts.

Lithium Battery Notes

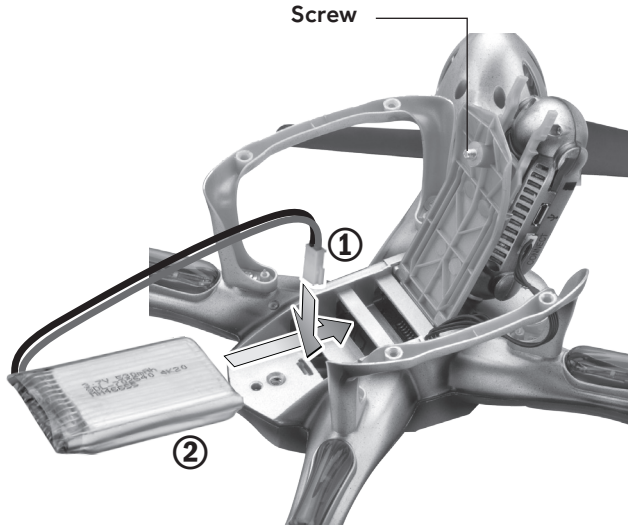
- Do not puncture or crush. Do not disassemble.
- Do not dispose of lithium batteries in the trash.
- If the electrolyte in the cells should get on your skin, thoroughly wash with soap and water. If in the eyes, rinse thoroughly with cool water. Immediately seek medical attention.
- Follow the manufacturer's instructions for charging the drone and do not charge longer than recommended. Unplug the charging cable when the drone is charged.
- Do not attempt to charge or operate damaged toys.





Get Ready to Fly

1. Plug the drone battery into the socket, insert the battery and its cable into the battery compartment, and secure the compartment door.



2. Turn on the drone. The LEDs under the arms and on top of the body flash.
3. Place the drone on level ground.
4. Set the remote control's **ON/OFF/Special** switch to **ON**. The remote control's LED flashes.
5. Move the throttle all the way up and then down to pair the remote control with the drone. The drone's blades remain still during pairing. When paired, all LEDs on both the remote control and drone stop flashing and light steadily.

Note: If pairing fails, turn off the drone and remote control and repeat the steps above, or change locations to avoid electrical interference.

Fly Your Drone

1. With the drone on the ground, move the throttle forward to fly.
2. To land your drone, slowly move the throttle backward to descend. Avoid moving the throttle too quickly, as it can stop the blades instantly and cause the drone to crash.
3. When you finish flying the drone, turn off the remote control and drone. Disconnect and remove the drone battery.

Trim Your Drone

Push the throttle forward and observe how the drone reacts.

Forward/Reverse Movement Trim: If the drone tends to move forward, press ▼; if it tends to move backward, press ▲.

Left/Right Slide Trim: If the drone tends to slide right, press ◀; if it tends to slide left, press ▶.

Left/Right Turning Trim: If the drone tends to turn right, press ◀; if it tends to turn left, press ▶.

Note: The remote control beeps when you press a trim control but stops beeping when you reach maximum trim adjustment.

Flying in Special Mode: True-North

Featuring integrated True-North compass, the drone can automatically align with your remote control, which can let beginners experience much easier flight control.

1. Align the drone and remote control in the same direction.
2. Set the remote control's **ON/OFF/Special** switch to **Special**, then turn on the drone. LEDs flash.
3. To pair the remote control with the drone, move the throttle all the way up and then down. When paired, LEDs on the remote control and the drone's four arms stop flashing and light steadily, while the two body LEDs flash slowly.
4. After pairing, move the throttle to fly. Drone will fly in any direction based on steering.

Calibrate

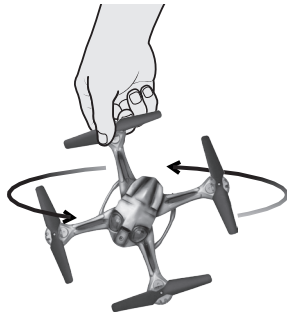
When flying in a new location, or when controlling the drone becomes difficult, use the following steps to calibrate the compass. Regular calibration keeps the compass finely tuned.

1. Select an open location without strong magnetic interference and place the drone and remote control on level ground.
2. Turn on the drone and switch the remote control to **Special**. Then pair the remote control with the drone.
3. Calibrate the drone:

- a. Hold down the throttle and steering backward at the same time until the two LEDs on the top of the body flash quickly.
- b. Rotate the drone by hand 2–4 times.



- c. Hold the drone vertically, and rotate it until the body LEDs flash slowly.



12

4. Calibrate the remote control:
 - a. Move and hold the throttle and steering inward 45 degrees at the same time until the control's LED flashes quickly.



- b. Rotate the remote control 3–5 times. When the LED stops flashing and lights steadily, calibration is complete.



Note: After calibration, turn off the drone and remote control, and then turn on the drone and switch the remote control to **Special**.

Perform Stunts

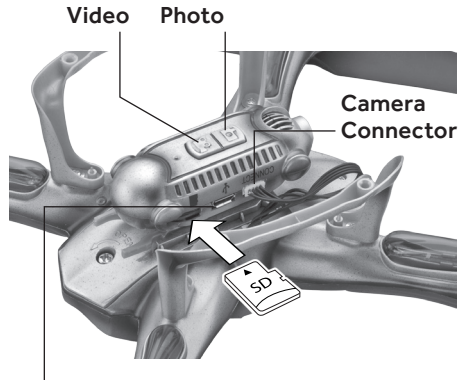
1. Press **FLIP**. The remote control beeps.
2. Move the steering to perform stunts:
 - **Front flip:** Move lever forward
 - **Back flip:** Move lever backward
 - **Barrel roll:** Move lever right/left
3. To exit stunt mode, press **FLIP** again before moving the steering.

IMPORTANT: Make sure there is enough space for the drone to perform stunts without crashing into objects or people.

13




Use the Detachable Camera

The red LED inside the camera flashes when connected to the drone and the drone is turned on.



Micro USB port

Use a Micro USB cable (not included) to connect your computer for video/picture files download; or to power the camera independently.

1. Insert a Micro SD card (not included) into the card slot. Push the SD card in until it clicks.
2. When the drone flies stably,
 - Press  once to take a photo. The remote control beeps and the drone's back LEDs flash once.
 - Or, press  to record a video. The remote control beeps and the drone's back LEDs flash on. Press  again to stop recording.
3. To remove the SD card, press it to eject it.

Note: The video recorded may fail to play in some video applications if (1) the SD card falls out due to a crash, and (2) you remove the SD card or drone battery during video recording.

Replace Damaged Blades

The left and right blades of the drone are different (see R/L orientation marking on underside); you must use the correct blade in the correct location. If you need additional blades, visit your local RadioShack store for help.

To replace a damaged blade, remove the old one and press the new one onto the blade axle. If you cannot remove the old blade by hand, use pliers.

WARNING:

- To avoid injury and damage, inspect the blades for nicks and breaks and make sure they are securely attached before and after each flight. Replace nicked, chipped, cracked or broken blades.
- Use only the supplied blades. Do not alter, modify, or customize the blades.

Troubleshooting

Drone does not respond

- Make sure the drone and remote control are switched on and paired. When paired, the LEDs of the drone and remote control light steadily.
- The drone battery may be low. Fully charge the battery. See **"Charge the Drone Battery."**
- Remote control battery may be low. Replace the batteries.
- Make sure the drone is within the control range (200 ft./60.96m) and in line of sight.

Drone difficult to control

- The blades may be deformed due to a crash. Adjust deformed blades by hand. If you cannot adjust them, replace with the spare blades.
- The throttle control is very sensitive. Use small, fine movements to control.
- If you are a beginner, set to low speed mode or use Special mode. See **"Fly Your Drone."**

FCC Information

This equipment has been tested and found to comply with the limits for a Class B digital device, pursuant to Part 15 of the FCC Rules. These limits are designed to provide reasonable protection against harmful interference in a residential installation. This equipment generates, uses, and can radiate radio frequency energy and, if not installed and used in accordance with the instructions, may cause harmful interference to radio communications. However, there is no guarantee that interference will not occur in a particular installation. If this equipment does cause harmful interference to radio or television reception, which can be determined by turning the equipment off and on, the user is encouraged to try to correct the interference by one or more of the following measures:

- Reorient or relocate the receiving antenna.
- Increase the separation between the equipment and receiver.
- Connect the equipment into an outlet on a circuit different from that to which the receiver is connected.
- Consult your local RadioShack store or an experienced radio/TV technician for help.

If you cannot eliminate the interference, the FCC requires that you stop using your equipment. Changes or modifications not expressly approved by the party responsible for compliance could void the user's authority to operate the equipment.

This device complies with Part 15 of the FCC Rules. Operation is subject to the following two conditions: (1) this device may not cause harmful interference, and (2) this device must accept any interference received, including interference that may cause undesired operation.



| | |
|-------------------|---|
| Product | Zeraxa Drone with Camera |
| Model | 6001352 |
| Responsible Party | RadioShack 300 RadioShack Circle Fort Worth, TX 76102 |
| Phone | 817-415-3200 |

Limited Warranty

RadioShack warrants this product against defects in materials and workmanship under normal use by the original purchaser for **ninety (90) days** after the date of purchase from a RadioShack-owned store or an authorized RadioShack franchisee or dealer. **RADIOSHACK MAKES NO OTHER EXPRESS WARRANTIES.**

This warranty does not cover: (a) damage or failure caused by or attributable to abuse, misuse, failure to follow instructions, improper installation or maintenance, alteration, accident, Acts of God (such as floods or lightning), or excess voltage or current; (b) improper or incorrectly performed repairs by persons who are not a RadioShack Authorized Service Facility; (c) consumables such as fuses or batteries; (d) ordinary wear and tear or cosmetic damage; (e) transportation, shipping or insurance costs; (f) costs of product removal, installation, set-up service, adjustment or reinstallation; and (g) claims by persons other than the original purchaser.

Should a problem occur that is covered by this warranty, take the product and the RadioShack sales receipt as proof of purchase date to any RadioShack store in the U.S. RadioShack will, at its option, unless otherwise provided by law (a) replace the product with the same or a comparable product, or (b) refund the purchase price. All replaced products, and products on which a refund is made, become the property of RadioShack.

RADIOSHACK EXPRESSLY DISCLAIMS ALL WARRANTIES AND CONDITIONS NOT STATED IN THIS LIMITED WARRANTY. ANY IMPLIED WARRANTIES THAT MAY BE IMPOSED BY LAW, INCLUDING THE IMPLIED WARRANTY OF MERCHANTABILITY AND, IF APPLICABLE, THE IMPLIED WARRANTY OF FITNESS FOR A PARTICULAR PURPOSE, SHALL EXPIRE ON THE EXPIRATION OF THE STATED WARRANTY PERIOD.

EXCEPT AS DESCRIBED ABOVE, RADIOSHACK SHALL HAVE NO LIABILITY OR RESPONSIBILITY TO THE PURCHASER OF THE PRODUCT OR ANY OTHER PERSON OR ENTITY WITH RESPECT TO ANY LIABILITY, LOSS OR DAMAGE CAUSED DIRECTLY OR INDIRECTLY BY USE OR PERFORMANCE OF THE PRODUCT OR ARISING OUT OF ANY BREACH OF THIS WARRANTY, INCLUDING,

BUT NOT LIMITED TO, ANY DAMAGES RESULTING FROM INCONVENIENCE AND ANY LOSS OF TIME, DATA, PROPERTY, REVENUE, OR PROFIT AND ANY INDIRECT, SPECIAL, INCIDENTAL, OR CONSEQUENTIAL DAMAGES, EVEN IF RADIOSHACK HAS BEEN ADVISED OF THE POSSIBILITY OF SUCH DAMAGES.

Some states do not allow limitations on how long an implied warranty lasts or the exclusion or limitation of incidental or consequential damages, so the above limitations or exclusions may not apply to you. This warranty gives you specific legal rights, and you may also have other rights which vary from state to state. Contact RadioShack at:

RadioShack Customer Relations

300 RadioShack Circle

Fort Worth, TX 76102

02/14

www.radioshack.com

RoHS Complies with the European Union's "Restriction of Hazardous Substances Directive," which protects the environment by restricting specific hazardous materials and products.

© 2015 RadioShack Corporation.
All rights reserved. RadioShack is
a registered trademark used by
RadioShack Corporation.



Printed
in China



03A15
6001352