



radioshack

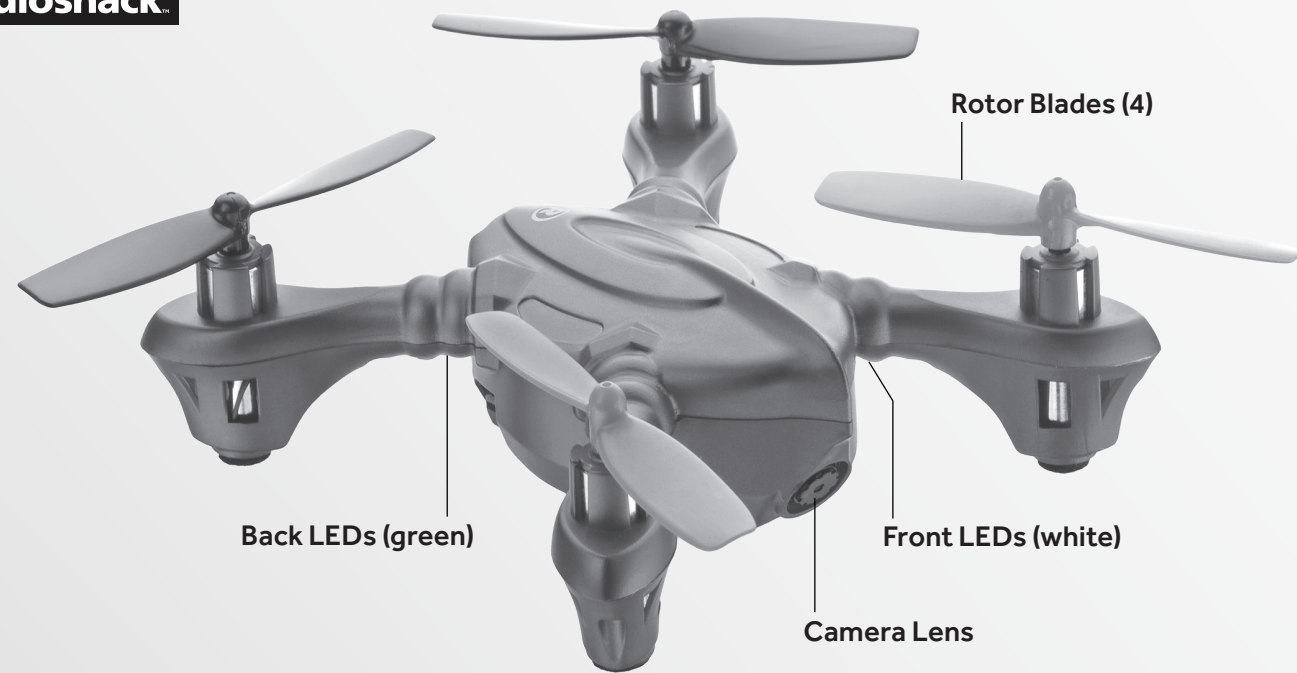
Surveyor Drone

Age 14+

We hope you enjoy your Surveyor Drone from RadioShack. Please read this user's guide before setting up and using your drone.

What's Included

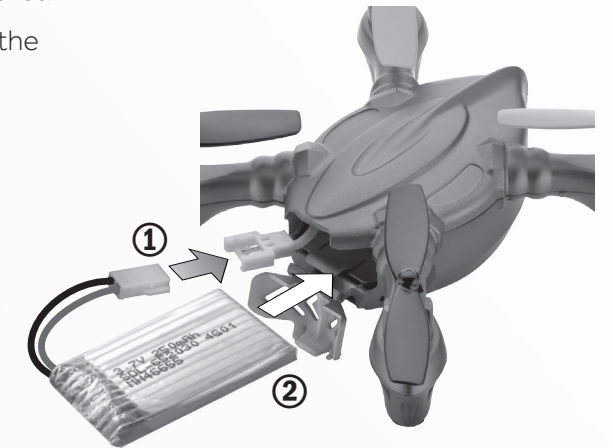
- Surveyor Drone
- Transmitter
- USB Charging Cable
- Spare Blades (4)
- 3.7V Drone Battery
- User's Guide



Get Ready to Fly

1. Open the drone battery compartment door and find the battery socket.
2. Plug the drone battery to the socket. The four LEDs (two in white in the front, two in green in the back) flash.
3. Insert the battery with its cable into the battery compartment.
4. Secure the compartment door.
5. Place the drone on level ground.
6. Switch on the transmitter. The transmitter's LED lights.
7. Move the throttle all the way from the descend position to ascend and back to descend to pair the transmitter with the drone. The drone's blades remain still during pairing. When paired, the drone's LEDs stop flashing and remain on.

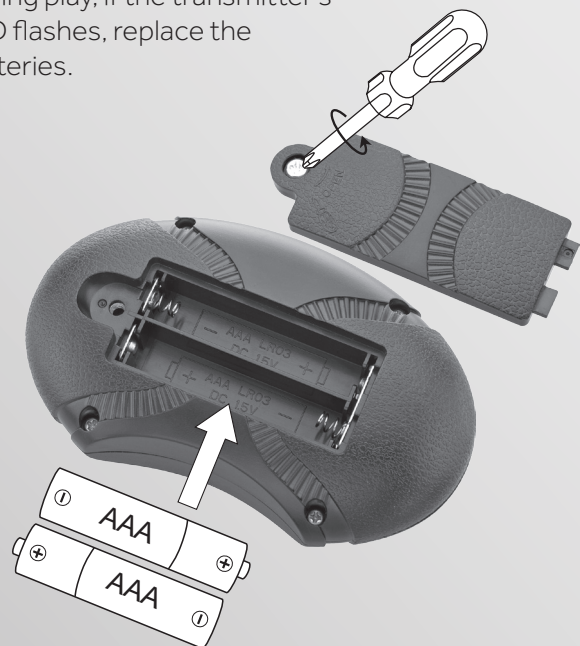
Note: If pairing fails, switch off the drone and transmitter and repeat the steps above, or move locations to avoid interference.



Install Batteries in the Transmitter

1. On the transmitter, set the **ON/OFF** switch to **OFF**.
2. Use a screwdriver to open the battery compartment.
3. Insert two AAA batteries (not included), matching the polarities marked inside. Use alkaline batteries for optimal performance.

During play, if the transmitter's LED flashes, replace the batteries.



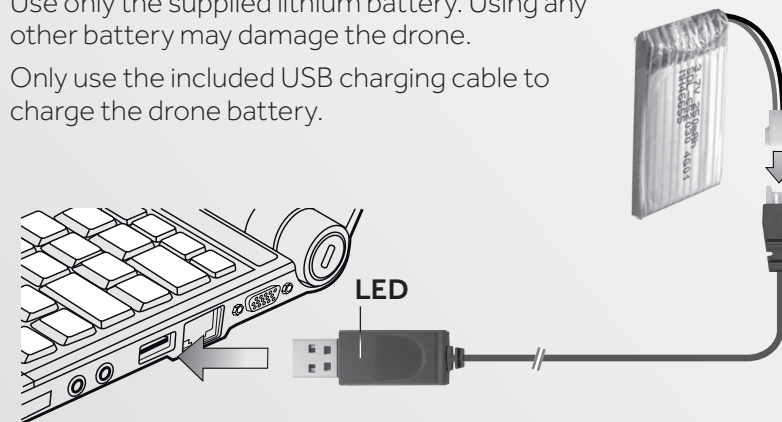
Charge the Drone Battery

Your drone uses a lithium polymer battery for power.

1. Hold the battery connector (**NOT** the cable) and carefully unplug the battery from the drone.
2. Use the USB charging cable to connect the battery to a USB power source, such as a laptop. The LED on the USB connector lights red during charging, and turns off when charging is complete. A full charge takes about 35 minutes. When the battery is fully charged, the drone can fly up to 5 minutes.
3. After charging, unplug the USB charging cable. Do not attempt to overcharge the battery.

Caution:

- Use only the supplied lithium battery. Using any other battery may damage the drone.
- Only use the included USB charging cable to charge the drone battery.



Fly Your Drone

1. After pairing, press the steering control to switch between high speed (double beep) and normal speed (single beep).
2. **For beginners:** With the drone on the ground, move the throttle forward to fly.
For advanced users: Hold the transmitter with one hand, resting your thumb on the throttle. Then throw the drone about three meters away from you, and promptly move the throttle forward to fly. The drone adjusts itself automatically and flies stably.
3. To land your drone, slowly move the throttle backward to descend. Avoid moving the throttle too quickly, as that can stop the blades instantly and cause the drone to crash.
4. When you finish playing, disconnect and remove the drone battery and turn off the transmitter.



Perform Flip Stunts

1. Press and hold the throttle control. The transmitter beeps.
2. Move the steering control to perform flips:
 - **Front flip:** Move lever forward
 - **Back flip:** Move lever backward
 - **Barrel roll:** Move lever right or left
3. To exit stunt mode, release the throttle before moving the steering control.

IMPORTANT: Make sure there is enough space for the drone to perform a flip. Avoid crashing on people or any object.

Trim Your Drone



Use the two trim pads to fine-tune your drone to avoid excess drift. Push the throttle forward and observe how the drone reacts.

Forward/Reverse Movement Trim: If the drone tends to move forward, press the lower part on this pad; if it tends to move backward, press the upper part.

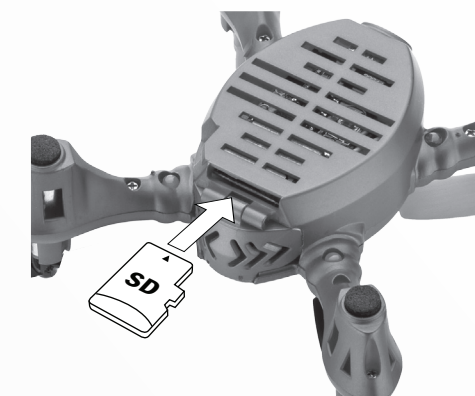
Left/Right Slide Trim: If the drone tends to slide right, press the upper part on this pad; if it tends to slide left, press the lower part.

Note: The transmitter sounds a short beep when you press any trim control. A long beep sounds when you reach maximum trim adjustment.

Use the Built-in Camera

1. Insert a micro SD card (not included) in the card slot near the battery compartment door. Push the SD card in until it clicks.
2. When the drone flies stably, press  once to take a photo, or press and hold  to record a video. Release the button to stop recording.
3. To remove the SD card, press it to eject it.

Note: The SD card fits the slot only one way. Do not force it. Before inserting the SD card, make sure it has enough free space.



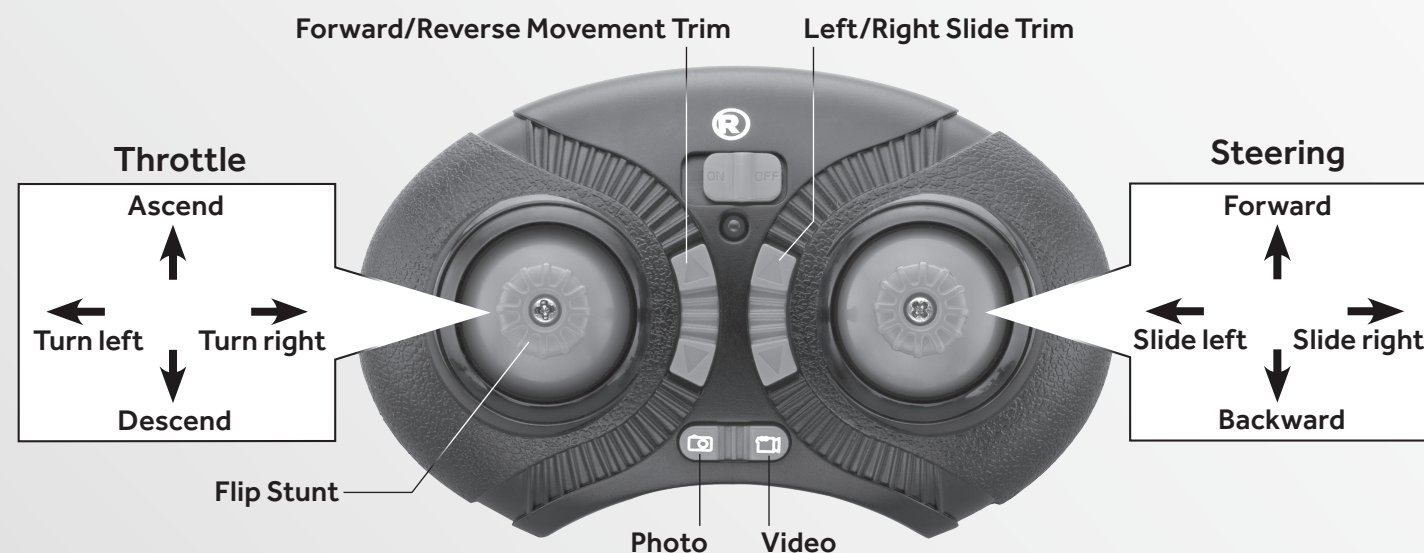
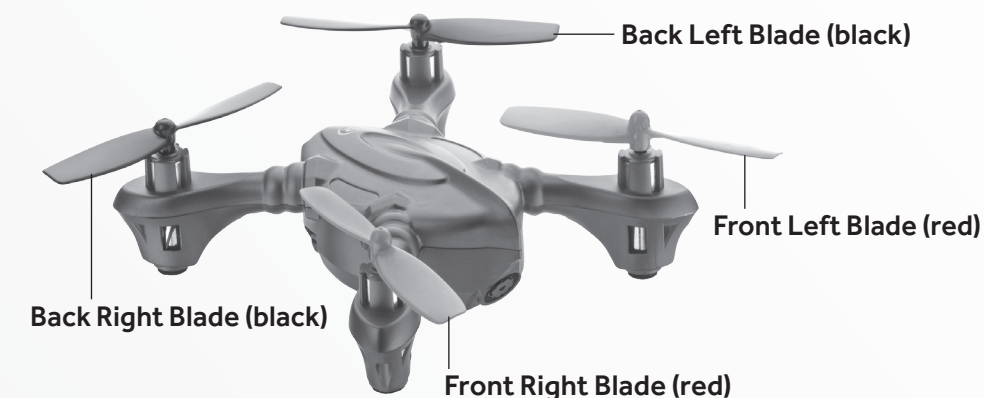
Replace Damaged Blades

Each of the drone's four blades is different (see color and R/L orientation marking on underside); you must use the correct blade in the correct location. If you need additional blades, visit your local RadioShack store for help.

To replace a damaged blade, remove the old one and press the new one onto the blade axle. If you cannot remove the old blade by hand, use pliers.

WARNING:

- To avoid injury and damage, inspect the blades for nicks and breaks and make sure they are securely attached before and after each flight. Replace nicked, chipped, cracked or broken blades.
- Use only the supplied blades. Do not alter, modify, or customize the blades.



Fly Safely

- When flying outdoors, keep the drone away from power-lines, trees, weeds, and water.
- When flying indoors, keep the drone away from walls, air conditioning, air vents, fans, breakable objects, and other obstacles.
- Do not fly the drone near or at other people or animals. Use caution when flying, make sure people around you know that you are playing with the drone.
- Keep eyes, hands, hair and loose clothing away from moving blades.
- Fly the drone safely. If it crashes, the SD card may fall out and be lost.
- Adult supervision is recommended at all times.

CHOKING HAZARD! Small parts. Not for children under 3 years.

Specifications

Power 2 × AAA batteries (transmitter)
 3.7V lithium polymer battery (drone)
 Lens Resolution 1080 × 720
 Control Distance 65 ft (20m)
Specifications are subject to change and improvement without notice. Actual product may vary from the images found in this document.

Troubleshooting

Drone is not responding

- Make sure the drone and transmitter are switched on and paired. When they are paired, the LEDs of the drone and transmitter are on.
- The drone battery may be low. Charge the battery fully. (Refer to **"Charge the Drone Battery"**)
- Transmitter battery may be low. Replace the batteries.
- Make sure the drone is within the control range (65 ft./20m) and in line of sight.

Drone difficult to control

- The throttle control is very sensitive. Use small, fine movements of the throttle.
- If you are a beginner, use the steering control to set to the normal speed mode. It is easier to control in the normal speed mode. (Refer to **"Fly Your Drone"**)

Battery Notes

- After playing, you may need to wait to let the drone battery cool before charging it.
- Dispose of old batteries promptly and properly. Do not burn or bury them. Use only fresh batteries of the required size and recommended type.
- Do not mix old and new batteries, different types of batteries (standard, alkaline, or rechargeable), or rechargeable batteries of different capacities.
- If you do not plan to use the drone for a long period, remove the batteries from the transmitter. Batteries can leak chemicals that can damage electronic parts.

Lithium Battery Notes

- Do not puncture or crush. Do not disassemble.
- Do not dispose of lithium batteries in the trash.
- If the electrolyte in the cells should get on your skin, thoroughly wash with soap and water. If in the eyes, rinse thoroughly with cool water. Immediately seek medical attention.
- Follow the manufacturer's instructions for charging the drone and do not charge longer than recommended. Unplug the charging cable when the drone is charged.
- Do not attempt to charge or operate damaged toys.

FCC Information

This equipment has been tested and found to comply with the limits for a Class B digital device, pursuant to Part 15 of the FCC Rules. These limits are designed to provide reasonable protection against harmful interference in a residential installation. This equipment generates, uses, and can radiate radio frequency energy and, if not installed and used in accordance with the instructions, may cause harmful interference to radio communications. However, there is no guarantee that interference will not occur in a particular installation. If this equipment does cause harmful interference to radio or television reception, which can be determined by turning the equipment off and on, the user is encouraged to try to correct the interference by one or more of the following measures:

- Reorient or relocate the receiving antenna.
- Increase the separation between the equipment and receiver.
- Connect the equipment into an outlet on a circuit different from that to which the receiver is connected.
- Consult your local RadioShack store or an experienced radio/TV technician for help.

If you cannot eliminate the interference, the FCC requires that you stop using your equipment. Changes or modifications not expressly approved by the party responsible for compliance could void the user's authority to operate the equipment.

This device complies with Part 15 of the FCC rules. Operation is subject to the following two conditions: (1) this device may not cause harmful interference, and (2) this device must accept any interference received, including interference that may cause undesired operation.

Limited Warranty

RadioShack warrants this product against defects in materials and workmanship under normal use by the original purchaser for **ninety (90) days** after the date of purchase from a RadioShack-owned store or an authorized RadioShack franchisee or dealer. RADIOSHACK MAKES NO OTHER EXPRESS WARRANTIES.

This warranty does not cover: (a) damage or failure caused by or attributable to abuse, misuse, failure to follow instructions, improper installation or maintenance, alteration, accident, Acts of God (such as floods or lightning), or excess voltage or current; (b) improper or incorrectly performed repairs by persons who are not a RadioShack Authorized Service Facility; (c) consumables such as fuses or batteries; (d) ordinary wear and tear or cosmetic damage; (e) transportation, shipping or insurance costs; (f) costs of product removal, installation, set-up service, adjustment or reinstallation; and (g) claims by persons other than the original purchaser.

Should a problem occur that is covered by this warranty, take the product and the RadioShack sales receipt as proof of purchase date to any RadioShack store in the U.S. RadioShack will, at its option, unless otherwise provided by law (a) replace the product with the same or a comparable product, or (b) refund the purchase price. All replaced products, and products on which a refund is made, become the property of RadioShack.

RADIOSHACK EXPRESSLY DISCLAIMS ALL WARRANTIES AND CONDITIONS NOT STATED IN THIS LIMITED WARRANTY. ANY IMPLIED WARRANTIES THAT MAY BE IMPOSED BY LAW, INCLUDING THE IMPLIED WARRANTY OF MERCHANTABILITY AND, IF APPLICABLE,

THE IMPLIED WARRANTY OF FITNESS FOR A PARTICULAR PURPOSE, SHALL EXPIRE ON THE EXPIRATION OF THE STATED WARRANTY PERIOD. EXCEPT AS DESCRIBED ABOVE, RADIOSHACK SHALL HAVE NO LIABILITY OR RESPONSIBILITY TO THE PURCHASER OF THE PRODUCT OR ANY OTHER PERSON OR ENTITY WITH RESPECT TO ANY LIABILITY, LOSS OR DAMAGE CAUSED DIRECTLY OR INDIRECTLY BY USE OR PERFORMANCE OF THE PRODUCT OR ARISING OUT OF ANY BREACH OF THIS WARRANTY, INCLUDING, BUT NOT LIMITED TO, ANY DAMAGES RESULTING FROM INCONVENIENCE AND ANY LOSS OF TIME, DATA, PROPERTY, REVENUE, OR PROFIT AND ANY INDIRECT, SPECIAL, INCIDENTAL, OR CONSEQUENTIAL DAMAGES, EVEN IF RADIOSHACK HAS BEEN ADVISED OF THE POSSIBILITY OF SUCH DAMAGES.

Some states do not allow limitations on how long an implied warranty lasts or the exclusion or limitation of incidental or consequential damages, so the above limitations or exclusions may not apply to you. This warranty gives you specific legal rights, and you may also have other rights which vary from state to state. You may contact RadioShack at:

RadioShack Customer Relations
 300 RadioShack Circle
 Fort Worth, TX 76102

www.RadioShack.com

02/14

