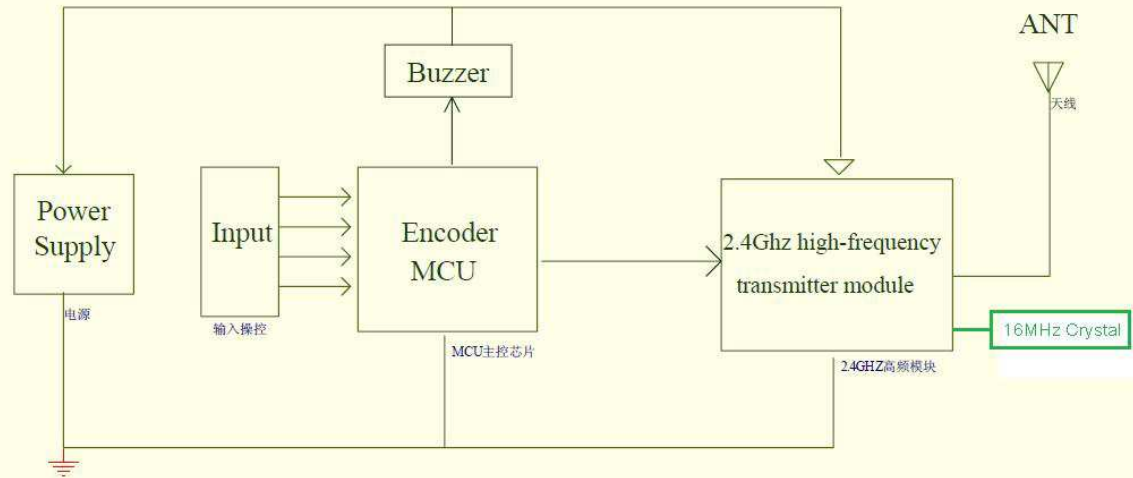


66091 TX Block Diagram



ZEGO ELECTRONIC COMPANY LIMITED			
Project name:	66091TX Block Diagram (RS: 6001145RX)		
Drawn By:	JUN	Rev:	V1.0
Approved by:	XIE	Page:	1/1
		Date:	2014-7-15