



Brookstone®

FLIGHTFORCE™
STUNT DRONE

for ages
14+

TABLE OF CONTENTS

Warnings and Cautions	1
FCC Information	8
Location of Parts and Controls	10
Operation	12
Replacing The Propeller Blades	18
Troubleshooting	18
Care and Maintenance	20
Stunt Drone Specifications	20
Warranty	21

CAUTION

- TO REDUCE THE RISK OF ELECTRIC SHOCK, DO NOT REMOVE COVER.
THERE ARE NO SERVICEABLE PARTS INSIDE.
- TO REDUCE THE RISK OF FIRE OR ELECTRIC SHOCK, DO NOT EXPOSE THIS UNIT TO RAIN OR MOISTURE.



The lightning flash with arrow-head symbol within an equilateral triangle is intended to alert the user to the presence of uninsulated “dangerous voltage” within the unit’s enclosure that may be of sufficient magnitude to constitute a risk of electric shock.



The exclamation point within an equilateral triangle is intended to alert the user to the presence of important operating and maintenance (servicing) instructions in the literature accompanying the unit.

IMPORTANT SAFETY INSTRUCTIONS

All of the safety and operating instructions should be read, adhered to and followed before the unit is operated.

STUNT DRONE WARNING:

The Stunt Drone is designed for INDOOR or OUTDOOR flight. The Stunt Drone's blades revolve at high speeds and can cause damage to the user, spectators and animals. Stand away from the Stunt Drone to reduce the risk of getting into the flight path. Warn spectators that you will be flying your Stunt Drone so that they are aware of its position. Before flight, inspect the rotor blades to make certain that the blades are securely fastened to the Stunt Drone.



WARNING!

- Choking/Cutting Hazard. Small Parts/Sharp Rotor Blades.
- Keep hands, hair and loose clothing away from the propeller when the power switch is turned to the ON position.
- Disconnect the controller and Stunt Drone power switches when not in use.
- The included charger is built specifically for the Stunt Drone Li-Poly battery. Do not use it to charge any other battery.
- Parental supervision recommended when flying the Stunt Drone.



SAVE THESE INSTRUCTIONS

BATTERY WARNINGS

RECHARGEABLE BATTERY (STUNT DRONE):

This device contains a removable Lithium-Polymer battery. The battery must be recycled or disposed of properly. Contact your local waste management office for information on battery recycling or disposal.



CONTROLLER BATTERIES (NOT INCLUDED):

- Do not mix old and new batteries.
- Non-rechargeable batteries are not to be recharged.
- Rechargeable batteries are to be removed from the item before being charged (if removable).
- Rechargeable batteries are only to be charged under adult supervision.

- Exhausted batteries should be removed immediately and must be recycled or disposed of properly according to state or local government ordinances and regulations.
- The supply terminals are not to be short-circuited.
- Only batteries of the same or equivalent type as recommended are to be used.
- Batteries are to be inserted with the correct polarity.
- Do not dispose batteries in a fire - batteries may leak or explode.

DANGER

To reduce the risk of electric shock, burns, fire or injury:

1. Do not use while bathing or in a shower.
2. Do not place or store unit where it can fall or be pulled into a tub or sink.
3. Do not place in, drop or submerge in water or other liquid.
4. Do not reach for a unit that has fallen into water. Unplug it immediately.
5. Care should be taken so that objects do not fall and liquids are not spilled onto the unit.

WARNING

1. Close supervision is necessary when this appliance/product is used by or near children or mentally disabled individuals.
2. Use this unit only for its intended use as described in this manual.
3. Unplug this unit during lightning storms or when unused for long periods of time.
4. Never drop or insert an object into any opening.
5. Protect the power cord from being walked on or pinched, particularly at plug outlets, convenience receptacles and the point where it exits the unit.
6. Do not allow cord to touch hot surfaces. Wrap cord loosely around the unit when storing.
7. The unit should be situated away from direct sunlight or heat sources such as radiators, electric heaters, heat registers, stoves, or other units (including amplifiers) that produce heat. Avoid placing on top of stereo equipment that radiates heat.
8. Never block the air openings of the unit with materials such as clothing, plastic bags or papers, or place it on a soft surface such as a bed or couch, where the air openings may be blocked.

9. Do not overload the electrical outlet. Use only the power source as indicated.
10. Do not carry this unit by its cord or use the cord as a handle.
11. Never operate this unit if it has a damaged cord or plug, if it is not working properly, or if it has been dropped or damaged, or dropped into water. If the unit's power supply cord or plug is damaged, do not attempt to fix it yourself.
12. To avoid the risk of electric shock, do not disassemble or attempt to repair the unit. Incorrect repair can cause risk of electric shock or injury to persons when the unit is used.
13. Do not operate in the presence of explosive and/or flammable fumes.
14. Never remove the plug from the outlet by pulling the power cord.

FCC INFORMATION

Caution: Changes or modifications not expressly approved by the party responsible for compliance could void the user's authority to operate the equipment.

This equipment has been tested and found to comply with the limits for a Class B Digital Device, pursuant to Part 15 of the FCC Rules. These limits are designed to provide reasonable protection against harmful interference in a residential installation. This equipment generates, uses, and can radiate radio frequency energy and, if not installed and used in accordance with the instructions, may cause harmful interference to radio communications. However, there is no guarantee that interference will not occur in a particular installation.

If this equipment does cause harmful interference to radio or television reception, which can be determined by turning the equipment off and on, the user is encouraged to try to correct the interference by one or more of the following measures:

- Reorient or relocate the receiving antenna.
- Increase the distance between the equipment and receiver.

- Connect the equipment to an outlet on a circuit different from that to which the receiver is connected.
- Consult the dealer or an experienced radio/TV technician for help.

This equipment complies with Part 15 of the FCC Rules. Operation is subject to the following two conditions:

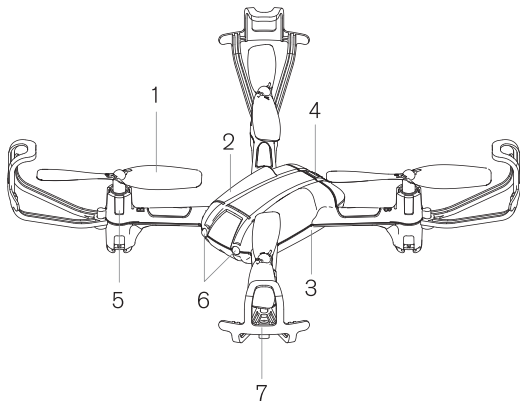
1. This equipment may not cause harmful interference.
2. This equipment must accept any interference received, including interference that may cause undesired operation.

Modifications not authorized by the manufacturer may void the user's authority to operate this device.

FCC Radiation Exposure Statement

This equipment complies with FCC radiation exposure limit set forth for an uncontrolled environment. This equipment should be installed and operated with a minimum distance of 20 cm between the radiator & your body.

LOCATION OF PARTS AND CONTROLS

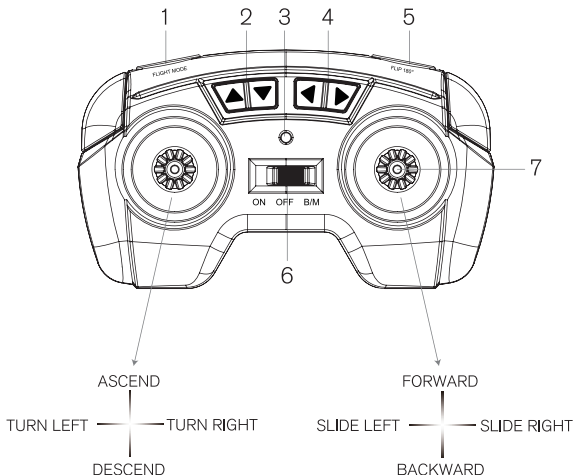


- 1. Blade
- 2. Upper Shell
- 3. Bottom Shell
- 4. Battery Cover

- 5. Motor
- 6. LED Indicator
- 7. Guard Frame

LOCATION OF PARTS AND CONTROLS

1. Flight Mode
2. Fine Tune Forward Reverse
3. LED
4. Fine-tune Left Right
5. Flip 180°
6. ON OFF B/M
7. HI/LOW Speed



INSTALL BATTERIES IN THE TRANSMITTER

1. On the transmitter set the on/off switch to off.
2. Use a screwdriver to open the battery compartment.
3. Insert four AAA batteries (not included), matching the polarities marked inside. Use alkaline batteries for optimal performance. During play, if the transmitter's LED flashes, replace the batteries.

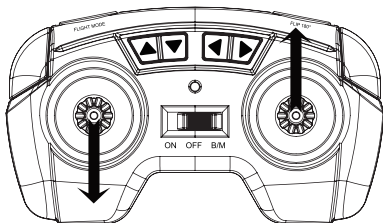
CHARGE THE DRONE BATTERY

Use Li-Polymer battery for power

1. Turn drone switch to off, and connect to USB cable.
2. Use the USB charging cable to connect the battery to a USB power source, such as a laptop. A full charge takes about 55 minutes. After fully charged the drone will fly about 5 minutes.
3. After charging, unplug the USB charging cable. Do not attempt to overcharge the battery.
4. Only use the supplied Li-Polymer battery. Using any other battery may damage the drone.
5. Only use included USB charging cable to connect the drone for charge.

CALIBRATING THE DRONE

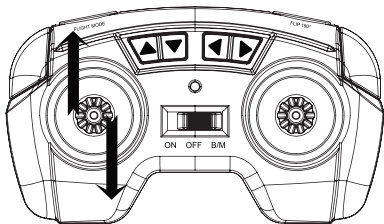
1. After pairing, move the throttle backward and the steering forward at the same time. Hold this until the drone's two LEDs flash about three seconds.
2. When LEDs stop flashing, the calibration is complete. After calibration, the drone should fly smoothly and hover in the air, if not, trim your drone to fine-tune.



GET READY TO FLY

1. Open the battery cover at rear of the drone, plug the battery.
The drone's head red LED flashes.
2. Place the drone on the level ground.
3. Set the transmitter switch to ON. Transmitter LED flashes and beeps.
4. Move the throttle all the way from descent. And back to middle position to pair the drone and transmitter. If pairing is successful, the transmitter sounds. The drone's and the transmitter LED indicator will stop flashing and lights will stay on.

Note: If pairing failed. Turn off the drone and transmitter. Repeat above steps.

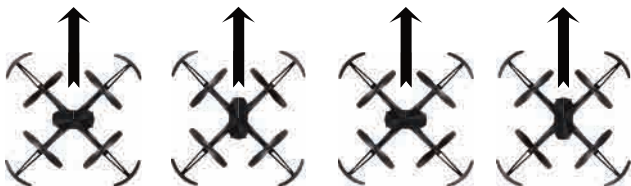
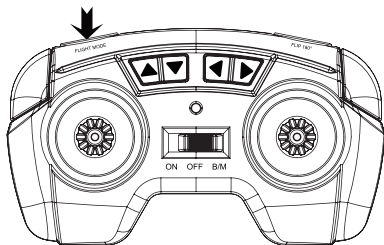


FLY YOUR DRONE

1. Once paired. Press down the steering control(right joystick) to switch between high speed(double beep) and normal speed(single beep).
2. For beginners, use normal speed or beginner mode(B/M) to fly. In beginner mode, ascent and descent will be slow. Operators can move up and down while flying the drone slowly. Avoid moving the throttle too quickly to prevent falling.
3. For advanced users, use high speed mode or Expert mode(ON) to fly.
4. Move throttle slowly to the up position and the drone will take off, move throttle down and the drone will descent.
5. Once landed, turn off the drone and the transmitter.

FLIGHT MODE

In this mode, there is no difference between the head and tail. Press "FLIGHT MODE" button so that the drone's head and tail direction will not matter. It is subject to the original orientation to become the drone's forward direction.



FLIP STUNTS

1. Press the 180° button: the transmitter beeps.
2. Move steering control to perform flip.
 - Front flip: move lever forward
 - Back flip: move lever backward
 - Left/right flip: move lever left/right
3. To exit stunt mode without a flip, press the flip button again before moving the steering control. Make sure there is enough space for the drone to perform a flip.

TRIM YOUR DRONE

Push the throttle forward and observe how the drone reacts.

Forward/Reverse movement trim: if drone tends to move forward, press the back arrow on the control pad, if it tends to move backward, press the forward arrow on the control pad. If the drone tends to move to the right, press the left arrow on the control pad. If tends to move to the left, press the right arrow on the control pad.

Note: The transmitter beeps when you press a trim control. No sounds when you reach the maximum trim adjustment.

REPLACING THE PROPELLER BLADES

The Stunt Drone's propeller system is a precision instrument that may need repair or replacement for optimal flight function. Crash landing from high-speed aerial flights may cause damage to your Stunt Drone's propellers.

1. Before making any repairs, turn off the power and disconnect the battery.
2. The Stunt Drone has four blades, both the blades and the drone are labeled with an embossed A or B.
3. When replacing the propeller blades, gently remove the blade from the rotor shaft. Make sure to match the indication letter on the blade with the letter on the drone.
4. Replace the damaged blade with the new blade.

TROUBLESHOOTING

Drone does not respond

- Make sure the drone and remote control are switched on and paired.
- Drone battery maybe low. Fully charge the battery. See “charge the Drone Battery.”
- Remote control batteries maybe low. Replace the batteries.

- Make sure the drone is within the control range (120 ft./36.5 m) and in line of sight.

Drone difficult to control

- The throttle control is very sensitive. Use small, fine movements to control.
- Practice B/M (Easy) mode.
- Propellers may be deformed or damaged. Adjust propellers by hand. If you cannot adjust them, replace with the spare propellers.

Drone swerves or moves erratically before taking off

- The gyroscope inside your drone needs calibrating:
 1. With your drone and remote control switched on and paired, place the drone on level ground.
 2. Move the throttle all the way down and the steering forward at the same time. Hold this position until the drone LEDs start to blink rapidly. Then release the controls.
 3. The drone LEDs light steadily. Calibration is successfully completed, and you are now ready for takeoff.
- Trim your drone if necessary to fine tune and improve control of your drone after calibration.

CARE AND MAINTENANCE

- Always remove the batteries from the controller when it will not be used for an extended period of time.
- To clean, gently wipe the drone and controller with a clean damp cloth.
- Parental guidance recommended when installing or replacing the batteries.

STUNT DRONE SPECIFICATIONS

Li-Poly Rechargeable Battery: 3.7V, 350mAh

Flight speeds: 2

Controller: 2.4GHz radio frequency (remote included)

Flying range: up to 130 feet (40 meters)

Flight time between charges: up to 5 minutes

Power type: USB rechargeable (includes cable)

Includes 4 spare blades

Dimensions: 7.1 x 7.1 in (18 x 18 cm), 1.3 oz (37g)

ONE(1) YEAR LIMITED WARRANTY

Brookstone® warrants this product against defects in materials and/or workmanship under normal use for a period of ONE (1) YEAR from the date of purchase by the original purchaser (“Warranty Period”). If a defect arises and a valid claim is received within the Warranty Period, at its option, Brookstone will either 1) repair the defect at no charge, using new or refurbished replacement parts, or 2) replace the product with a new product that is at least functionally equivalent to the original product, or 3) provide a store credit in the amount of the purchase price of the original product. A replacement product or part, including a user-installable part installed in accordance with instructions provided by Brookstone, assumes the remaining warranty of the original product. When a product or part is exchanged, any replacement item becomes your property and the replaced item becomes Brookstone’s property. When a store credit is given, the original product must be returned to Brookstone and becomes Brookstone’s property.

Obtaining Service: To obtain warranty service, call Brookstone Limited Warranty Service at 1-800-292-9819. Please be prepared to describe the product that needs service and the nature of the problem. A purchase receipt is required. All repairs and replacements must be authorized in advance. Service options, parts availability and response times will vary. You are responsible for delivery and the cost of delivery of the product or any parts to the authorized service center for replacement, per our instructions.

Limits and Exclusions: Coverage under this Limited Warranty is limited to the United States of America, including the District of Columbia and the U.S. Territories of Guam, Puerto Rico, and the U.S. Virgin Islands. This Limited Warranty applies only to products manufactured for Brookstone that can be identified by the “Brookstone” trademark, trade name, or logo affixed to them or their packaging. The Limited Warranty does not apply to any non-Brookstone products, Manufacturers or suppliers

other than Brookstone may provide their own warranties to the purchaser, but Brookstone, in so far as permitted by law, provides these products "as is." This warranty does not apply to: a) damage caused by failure to follow instructions relating to product's use or the installation of components; b) damage caused by accident, abuse, misuse, fire, floods, earthquake or other external causes; c) damage caused by service performed by anyone who is not a representative of Brookstone; d) accessories used in conjunction with a covered product; e) a product or part that has been modified to alter functionality or capability; f) items intended to be periodically replaced by the purchaser during the normal life of the product including, without limitation, batteries or light bulbs; g) any product sold "as is" including, without limitation, floor demonstration models and refurbished items; or h) a product that is used commercially or for a commercial purpose.

BROOKSTONE SHALL NOT BE LIABLE FOR INCIDENTAL OR CONSEQUENTIAL DAMAGES RESULTING FROM THE USE OF THIS PRODUCT, OR ARISING OUT OF ANY BREACH OF THIS WARRANTY. TO THE EXTENT PERMITTED BY APPLICABLE LAW, BROOKSTONE DISCLAIMS ANY AND ALL STATUTORY OR IMPLIED WARRANTIES, INCLUDING, WITHOUT LIMITATION, WARRANTIES OF MERCHANTABILITY, FITNESS FOR A PARTICULAR PURPOSE AND WARRANTIES AGAINST HIDDEN OR LATENT DEFECTS. IF BROOKSTONE CANNOT LAWFULLY DISCLAIM STATUTORY OR IMPLIED WARRANTIES, THEN TO THE EXTENT PERMITTED BY LAW, ALL SUCH WARRANTIES SHALL BE LIMITED IN DURATION TO THE DURATION OF THIS EXPRESS WARRANTY.

Some states disallow the exclusion or limitation of incidental or consequential damages or how long an implied warranty lasts, so the above exclusions or limitations may not apply to you. This warranty gives you specific legal rights and you may also have other rights, which vary from state to state.

Find thousands more
great ideas online

Brookstone®

317889

Merrimack, New Hampshire USA 03054 • 800-846-3000 • Brookstone.com