

ZEGO ELECTRONIC COMPANY LIMITED

(2016-09-13)

Equipment Authorization Division
Office of Engineering and Technology
Federal Communications Commission
7435 Oakland Mills Road
Columbia, MD 21046

Dear Sirs:

ZEGO ELECTRONIC CO., LTD requests acceptance of the labeling proposal described below for **317889** bearing FCC identifier **2ACS619RX**.

The subject **317889** models as shown in figure 1, authorized under FCC Part 15 Subpart C



figure 1

ZEGO ELECTRONIC COMPANY LIMITED

It is because the surface of the device does not enough to indicate the FCC statement. For this reason, ZEGO ELECTRONIC CO., LTD proposes those statements is showing on the user manual and the device is carrying the FCC ID number only. The figure2 is showing the FCC ID location.

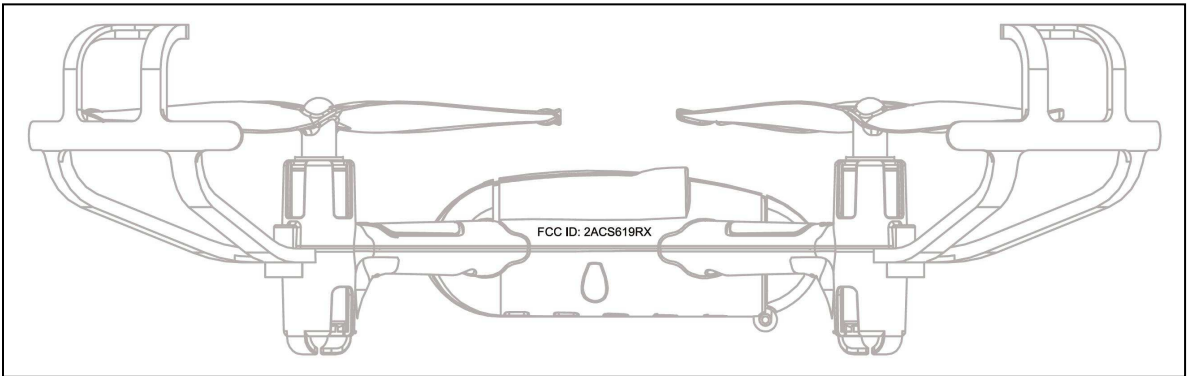


figure 2

Sincerely,

ZEGO ELECTRONIC CO., LTD



Jade Wang
Vice-general Manager