

® RadioShack®

**6001434
USER'S GUIDE**

AGE 12+



ZERAXA 2.0
AUTO-HOVERING CAMERA DRONE



Contents

Features	3
Package Contents	3
Specifications	3
Fly Safely	3
Charge the Drone Battery	4
Lithium Battery Notes.....	4
Recycle Rechargeable Batteries.....	4
Install Batteries in the Remote Control	5
Battery Notes.....	5
Pairing	5
Fly Your Drone.....	5
Drone Control and Design Overview	6
Remote Control Overview	8
Land Your Drone	10
Trim Your Drone.....	10
Fly "Headless" in Special Mode	10
Perform Stunts	11
Using the Camera	11
Setting up the Camera.....	12
Taking Photos and Videos on board the Drone.....	12
Detaching and Mounting the Camera	12
Using as Standalone Camera.....	12
Replace Damaged Propellers	13
Troubleshooting	13
Drone does not respond	13
Drone difficult to control	13
Drone swerves or moves erratically before taking off.....	14
FCC Information	14
Limited Warranty.....	14

We hope you enjoy your Zeraxa 2.0 Auto-Hovering Camera Drone from RadioShack. Congratulations! No FAA Registration is required for this drone. Please read this user's guide before setting up and using your drone.

Features

- Detachable camera
- USB charging
- 2.0 system upgrade with air pressure sensor for enhanced hovering
- Digital proportional control
- 6-axis gyro stabilization

Package Contents

- Zeraxa 2.0 Camera Drone
- USB Charging Cable
- 3.7V Drone Battery
- Remote Control
- Spare Propeller with screw (4)
- User's Guide

Specifications

Power	
Drone	3.7V, 530mAh lithium polymer battery
Remote Control	4 × AA batteries
Control Distance	200 ft. (60.96m)
Camera	
Lens Resolution (video)	640 × 480
Photo Resolution	1280 × 1024 JPEG
Maximum SD card support	32G

Specifications are subject to change and improvement without notice. Actual product may vary from the images found in this document.

Fly Safely

- Do not fly the drone near or at other people or animals.
- Do not fly your drone where emergency responders are working, or emergency aircraft are operating.
- When flying outdoors, keep the drone away from power lines, trees, weeds, and water.
- Do not fly your drone over private property where you are not welcomed.
- When flying indoors, keep the drone away from walls, air conditioning, air vents, fans, breakable objects, and other obstacles.
- Keep eyes, hands, hair, and loose clothing away from moving propellers.
- Fly safely. If the drone crashes, the SD card may fall out.
- Adult supervision is recommended at all times.

CHOKING HAZARD! Small parts. Not for children under 3 years.

Charge the Drone Battery

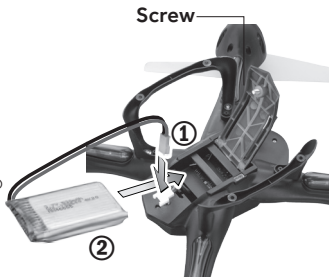
Make sure you use the supplied battery and battery charging cable, or one of the same type: 3.7 V, 530mAh lithium polymer.

1. Use the USB charging cable to connect the battery to a USB power source. The LED on the USB connector lights red during charging, and turns off when charging is complete.



A full charge takes about 100 minutes. A fully charged battery provides up to 7 minutes of flight and camera time.

2. After charging, unplug the USB charging cable. Do not attempt to overcharge the battery.
3. To install the battery, use a screwdriver to open the drone battery compartment door.
4. Match and plug the two ends of the white battery connectors. They only fit one way, so do not use force. Neatly slot the battery and cables into the compartment.
5. Screw the compartment door close.



Note: To recharge the battery, you can leave the battery inside the drone. Simply unplug the battery connectors, then follow steps 1-2 to charge using the supplied USB cable.

Lithium Battery Notes

- **Do not charge longer than recommended. Unplug the charging cable when the battery is charged.**
- Do not attempt to charge or operate damaged toys.
- Do not puncture or crush. Do not disassemble.
- Do not dispose of lithium batteries in the trash.
- If the electrolyte in the cells should get on your skin, thoroughly wash with soap and water. If in the eyes, rinse thoroughly with cool water. Immediately seek medical attention.

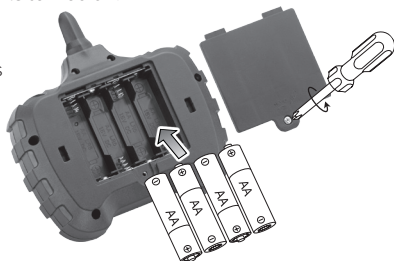


Recycle Rechargeable Batteries

Recycle used rechargeable batteries at one of the many collection sites in the U.S. and Canada. To find the site nearest you, visit www.call2recycle.org or call 1-800-822-8837.

Install Batteries in the Remote Control

1. Make sure the remote control is turned off.
2. Use a screwdriver to open the battery compartment. Then insert four AA batteries (not included), matching the polarities (+ and -) marked inside. Use alkaline batteries for optimal performance. Replace the cover.



Note: If the remote control's LED flashes during use, the batteries are low and should be replaced.

Battery Notes

- Dispose of old batteries promptly and properly. Do not burn or bury them. Use only fresh batteries of the required size and recommended type.
- Do not mix old and new batteries, different types of batteries (standard, alkaline, or rechargeable), or rechargeable batteries of different capacities.
- Remove batteries during longer storage periods. Batteries can leak chemicals that can damage electronic parts.

Pairing

1. Turn on the drone. The LEDs on the drone flash.
2. Place the drone on level ground.
3. Turn on the remote control. The remote control's LED flashes.
4. Move the throttle all the way up and then down to pair the remote control with the drone. The drone's propellers remain still during pairing. When paired, all LEDs on both the remote control and drone light steadily.

Note: If pairing fails, turn off the drone and remote control and repeat the steps above, or change locations to avoid electrical interference.

Fly Your Drone

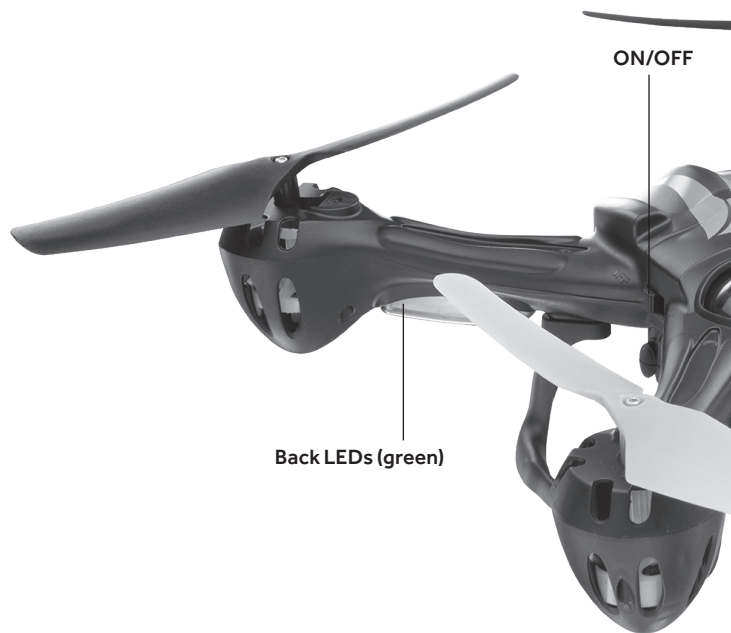
There are 3 ways to take off:

For beginners: With the drone on the ground, press the button . The drone will automatically take off, ascending about 5 ft (150cm) and then hover.

Intermediate users: With the drone on the ground, move the throttle forward to ascend. To avoid ground air turbulence, fly the drone at least 1 ft. (30cm) off the ground.

Advanced users: Hold the remote control with one hand, resting your thumb on the throttle. Throw the drone about 9 ft. (3m) away from you, and move the throttle forward to fly. The drone adjusts itself automatically and flies smoothly.

Drone Control and Design Overview

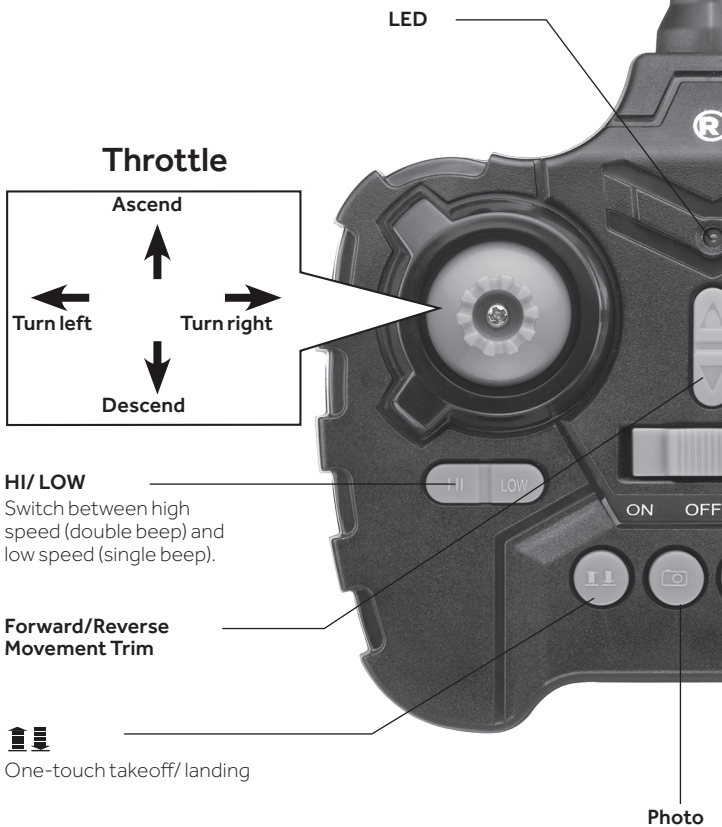


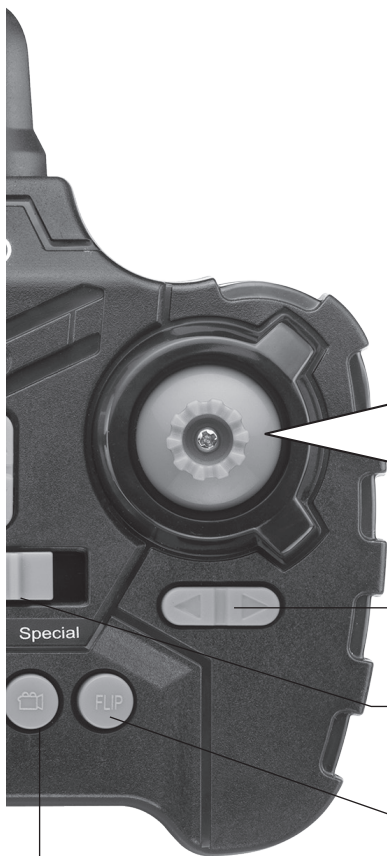


Camera Lens

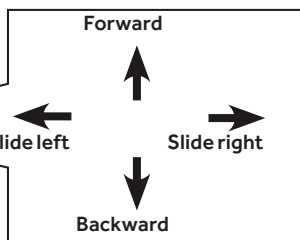
Adjustable. Rotate 90° to point down for filming or snapping aerial views

Remote Control Overview





Steering



Left/Right Slide Trim

ON/OFF/Special

FLIP
Turn stunt
mode on/off.

Special



Video

Land Your Drone

There are 2 ways to land:

Beginners: Press  and the drone will steadily descend and land.



Intermediate/Advanced users: Slowly move the throttle backward to descend. Avoid moving the throttle too quickly, as it can stop the propellers instantly and cause the drone to crash.

- When you finish flying the drone, turn off the remote control and drone.

Trim Your Drone

Push the throttle forward and observe how the drone reacts.

Forward/Reverse Movement Trim: If the drone tends to move forward, press ; if it tends to move backward, press .

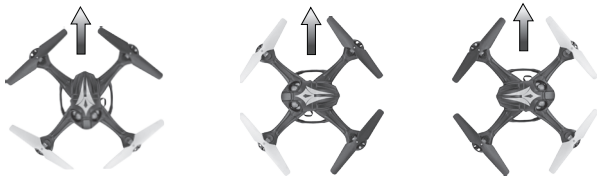
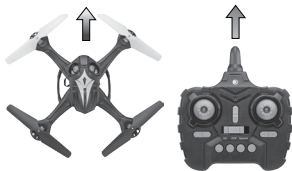
Left/Right Slide Trim: If the drone tends to slide right, press ; if it tends to slide left, press .

Note: The remote control beeps when you press a trim control but stops beeping when you reach maximum trim adjustment.

Fly "Headless" in Special Mode

Featuring an integrated true-north compass, the drone can automatically align to fly "headless" in Special mode. This simplifies steering, when you do the following:

1. Select an open location without strong magnetic interference and place the drone facing forward on level ground.
2. Turn on the drone. Point your remote control forward in the same direction as the drone, then switch the remote control to **Special**. Move the throttle all the way up, then down to pair the remote control with the drone.
3. After pairing, the drone will fly forward in any direction based on steering, regardless which way the drone's head faces during takeoff and flight.



Perform Stunts

1. Press **FLIP**. The remote control beeps.
2. Move the steering lever to perform stunts:
 - **Front flip**: Move steering forward
 - **Back flip**: Move steering backward
 - **Barrel roll**: Move steering right or left
3. To exit stunt mode, press **FLIP** again before moving the steering.

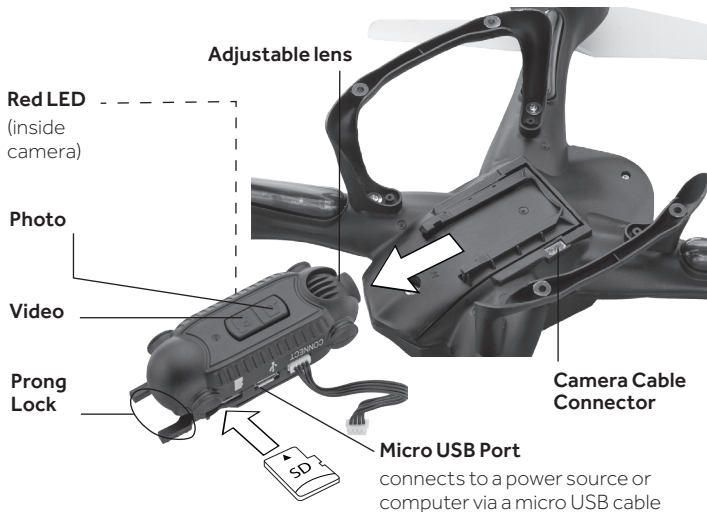
IMPORTANT: Make sure there is enough space for the drone to perform stunts without crashing into objects or people.

Using the Camera

The drone's VGA camera is detachable, so you can use it with your drone or as a standalone USB camera. For good pictures, use the camera in daylight or well-lit environments.

A **red LED** inside the camera indicates the camera's various modes:

- lights up when connected to the drone or an independent power source
- blinks when a micro USB cable is connected for photo/ video file download to a computer; during standalone camera video recording; or if you have forgotten to insert a micro SD card.






Setting up the Camera

1. You can adjust the angle of the lens. Rotate the lens down 90° for filming or snapping aerial views. Or keep it pointed forwards to capture views straight on.
2. Insert a Micro SD card (not included) into the card slot. Push the SD card in until it clicks.
3. To remove the SD card, press it to eject.



Taking Photos and Videos on board the Drone

When the drone flies stably, on the remote control:



- Press  once to take a photo. The remote control beeps and the drone's back LEDs flash once.
- Or, press  to record a video. The remote control beeps and the drone's back LEDs flash repeatedly during recording. Press  again to stop recording and save your file recording.

Note: The video recorded may fail to play in some video applications if (1) the SD card falls out due to a crash; (2) you remove the SD card before stopping recording; (3) battery power was too low during recording.

Detaching and Mounting the Camera

- To detach the camera, unplug the camera cable connector from the drone. Then gently pinch the prongs to unlock and slide off.
- To remount the camera, align and push onto the groove mount. Make sure you hear a click indicating the camera is securely locked on.

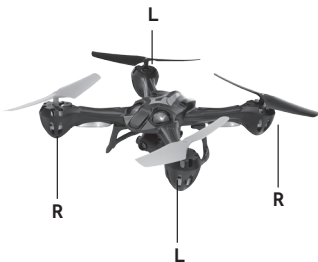
Using as Standalone Camera

1. Detach the camera from the drone completely.
2. To power the camera, connect a micro USB cable (not included) to the camera's micro USB port and an independent USB power source such as a charged power bank. The red LED inside the camera lights steadily.
3. Use the  and  buttons on the camera in the same way as described in the remote control operation above:
 - The camera's LED blinks once when you take a photo.
 - The camera's LED blinks repeatedly during recording.

Note: The video and photo functions are automatically disabled when connected to a USB port on a computer, as the camera will be detected as a mass storage device. Use a micro USB cable that is for charging only, if you want to operate the camera functions.

Replace Damaged Propellers

The left and right propellers of the drone are different (see **R/L** orientation marking on propeller underside and on the rotor axes). You must use the correct propeller in the correct location, otherwise the drone will fail to take off.



To replace a damaged propeller, use a screwdriver to remove the old propeller. Insert a new matching propeller onto the propeller axle, then screw securely, but do not overtighten otherwise the propeller won't turn.

WARNING:


- To avoid injury and damage, inspect the propellers for nicks and breaks and make sure they are securely attached before and after each flight. Replace nicked, chipped, cracked or broken propellers.
- Use only the supplied propellers. Do not alter, modify, or customize.

Troubleshooting

Drone does not respond

- Make sure the drone and remote control are switched on and paired.
- The drone battery may be low. Fully charge the battery. See **“Charge the Drone Battery.”**
- Remote control battery may be low. Replace the batteries.
- Make sure the drone is within the control range (200 ft./60.96m) and in line of sight.

Drone difficult to control

- The propellers may be deformed due to a crash. Adjust deformed propellers by hand. If you cannot adjust them, replace with the spare propellers.
- The throttle control is very sensitive. Use small, fine movements to control.
- If you are a beginner, set to low speed mode, use the takeoff and landing button , and Special mode. See **“Fly Headless in Special Mode.”**

Drone swerves or moves erratically before taking off

- The gyroscope inside your drone needs calibrating: Do the following:
 1. Switch on and pair your drone with the remote control set to **ON** position.
 2. Move the throttle all the way down and the steering forward at the same time. Hold this position until the drone LED eyes start to blink rapidly. Then release the controls.
 3. The drone LED eyes light steadily. Calibration is successfully completed, and you are now ready for takeoff.
- See "**Trim Your Drone**" to further fine tune and improve control of your drone after calibration, if necessary.



FCC Information

This equipment has been tested and found to comply with the limits for a Class B digital device, pursuant to Part 15 of the FCC Rules. These limits are designed to provide reasonable protection against harmful interference in a residential installation. This equipment generates, uses and can radiate radio frequency energy and, if not installed and used in accordance with the instructions, may cause harmful interference to radio communications. However, there is no guarantee that interference will not occur in a particular installation. If this equipment does cause harmful interference to radio or television reception, which can be determined by turning the equipment off and on, the user is encouraged to try to correct the interference by one or more of the following measures:

- Reorient or relocate the receiving antenna.
- Increase the separation between the equipment and receiver.
- Connect the equipment into an outlet on a circuit different from that to which the receiver is connected.
- Consult your dealer or an experienced radio/TV technician for help.

If you cannot eliminate the interference, the FCC requires that you stop using your equipment. Changes or modifications not expressly approved by the party responsible for compliance could void the user's authority to operate the equipment.

This device complies with Part 15 of the FCC Rules. Operation is subject to the following two conditions: (1) this device may not cause harmful interference, and (2) this device must accept any interference received, including interference that may cause undesired operation.

Limited Warranty

Go to www.radioshack.com/help for details.

RadioShack Customer Relations

300 RadioShack Circle, Fort Worth, TX 76102

RoHS

Complies with the European Union's "Restriction of Hazardous Substances Directive," which protects the environment by restricting specific hazardous materials and products.

www.radioshack.com

© 2016 General Wireless Operations Inc.

All rights reserved. RadioShack is a registered trademark used by General Wireless Operations Inc. dba RadioShack

Printed
in China



07A16
6001434