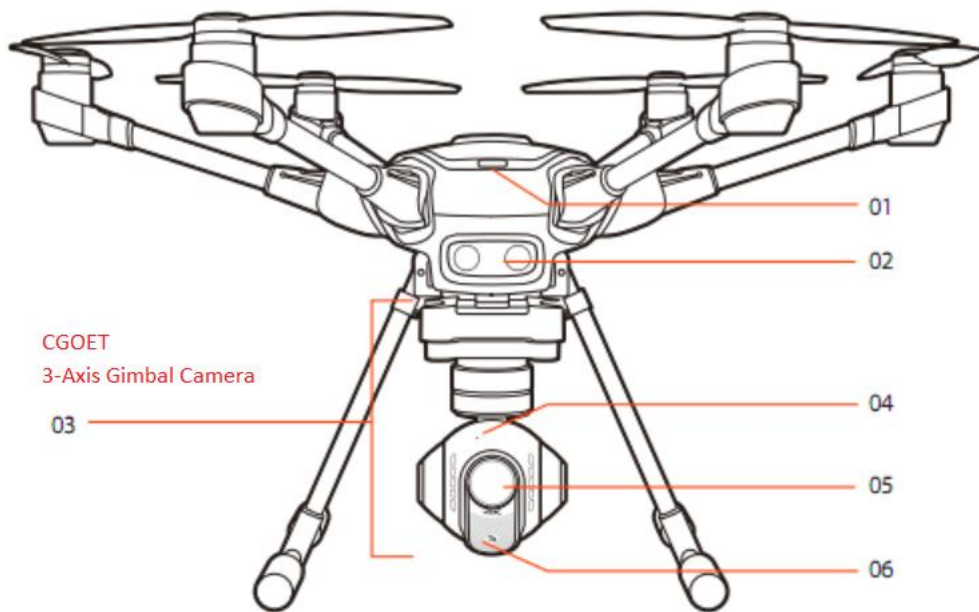


# User Manual



CGOET  
3-Axis Gimbal Camera

## TYPHOON H / ST16 Ground Station

- |                                |   |
|--------------------------------|---|
| 01 Power Switch                | 08 Gimbal Pan Mode (Follow Mode/Follow Pan Controllable Mode/Global Mode) |
| 02 Sonar                       | 09 Gimbal Tilt Mode (Angle Mode/ Velocity Mode)                           |
| 03 CGOET Gimbal Camera         | 10 Gimbal Pan Control   |
| 04 Camera LED Status Indicator | 11 Rudder/Yaw Control (Mode 2 and Mode 1)                                 |
| 05 Camera Lens                 | 12 Throttle/Altitude Control ( Mode 2)                                    |
| 06 5.8GHz Antenna              | Elevator/pitch control (Mode 1)   |
| 07 Start/Stop Motors Button    |   |



**Product Name: 3-Axis Gimbal Camera**  
**Model Name: CGOET**

**INTRODUCTION:**

The CGOET is a 3-Axis, brushless self-stabilizing gimbal camera, compatible with Typhoon H. The Self-Stabilizing gimbal makes it possible to capture vivid photographs and fluid video footage for an array of uses. And the built-in digital video link delivers streaming video to compatible iOS® and Android™ equipped devices including smart-phones and tablets as well as YUNEEC Personal Ground Stations.

**OPERATING INSTRUCTIONS:**

1. Insert the micro SD card into the CGOET, and then connect the power supply.  
When you turn on the power switch, the CGOET will start to work;
2. Start the CGOET Wi-Fi, the green light will start to blink. Then you can make the Wi-Fi connection between the CGOET gimbal camera and mobile device. The green light will become solid when the connection is successful.
3. Press the shutter button on the CGOET. You'll hear an audible 'shutter' sound and it will take approximately 5 seconds to capture the photo before you can take another photo. Press and hold the shutter button on the CGOET. You'll hear an audible indication each time the recording starts/stops.
4. Turn off the power switch, the CGOET will stop working.

## Federal Communications Commission (FCC) Interference Statement

This equipment has been tested and found to comply with the limits for a Class B digital device, pursuant to Part 15 of the FCC Rules.

These limits are designed to provide reasonable protection against harmful interference in a residential installation. This equipment generate, uses and can radiate radio frequency energy and, if not installed and used in accordance with the instructions, may cause harmful interference to radio communications.

However, there is no guarantee that interference will not occur in a particular installation. If this equipment does cause harmful interference to radio or television reception, which can be determined by turning the equipment off and on, the user is encouraged to try to correct the interference by one of the following measures:

- Reorient or relocate the receiving antenna.
- Increase the separation between the equipment and receiver.
- Connect the equipment into an outlet on a circuit different from that to which the receiver is connected.
- Consult the dealer or an experienced radio/TV technician for help.

This device complies with Part 15 of the FCC Rules. Operation is subject to the following two conditions:

(1) This device may not cause harmful interference, and (2) this device must accept any interference received, including interference that may cause undesired operation.

FCC Caution: Any changes or modifications not expressly approved by the party responsible for compliance could void the user's authority to operate this equipment.

### **RF exposure warning**

This equipment complies with FCC radiation exposure limits set forth for an uncontrolled environment.

This equipment must be installed and operated in accordance with provided instructions and the antenna(s) used for this transmitter must be installed to provide a separation distance of at least 20 cm from all persons and must not be collocated or operating in conjunction with any other antenna or transmitter.

## IC Radiation Exposure Statement for Canada

This device complies with Industry Canada licence-exempt RSS standard(s). Operation is subject to the following two conditions: (1) this device may not cause interference, and (2) this device must accept any interference, including interference that may cause undesired operation of the device.

Le présent appareil est conforme aux CNR d'Industrie Canada applicables aux appareils radio exempts de licence. L'exploitation est autorisée aux deux conditions suivantes : (1) l'appareil ne doit pas produire de brouillage, et (2) l'utilisateur de l'appareil doit accepter tout brouillage radioélectrique subi, même si le brouillage est susceptible d'en compromettre le fonctionnement.

Under Industry Canada regulations, this radio transmitter may only operate using an antenna of a type and maximum (or lesser) gain approved for the transmitter by Industry Canada. To reduce potential radio interference to other users, the antenna type and its gain should be so chosen that the equivalent isotropically radiated power (e.i.r.p.) is not more than that necessary for successful communication.

Conformément à la réglementation d'Industrie Canada, le présent émetteur radio peut fonctionner avec une antenne d'un type et d'un gain maximal (ou inférieur) approuvé pour l'émetteur par Industrie Canada. Dans le but de réduire les risques de brouillage radioélectrique à l'intention des autres utilisateurs, il faut choisir le type d'antenne et son gain de sorte que la puissance isotrope rayonnée équivalente (p.i.r.e.) ne dépasse pas l'intensité nécessaire à l'établissement d'une communication satisfaisante.

User manuals for transmitters equipped with detachable antennas shall also contain the following notice in a conspicuous location:

This radio transmitter (identify the device by certification number, or model number if Category II) has been approved by Industry Canada to operate with the antenna types listed below with the maximum permissible gain and required antenna impedance for each antenna type indicated. Antenna types not included in this list, having a gain greater than the maximum gain indicated for that type, are strictly prohibited for use with this device.

Le présent émetteur radio (identifier le dispositif par son numéro de certification ou son numéro de modèle s'il fait partie du matériel de catégorie I) a été approuvé par Industrie Canada pour fonctionner avec les types d'antenne énumérés ci-dessous et ayant un gain admissible maximal et l'impédance requise pour chaque type d'antenne. Les types d'antenne non inclus dans cette liste, ou dont le gain est supérieur au gain maximal indiqué, sont strictement interdits pour l'exploitation de l'émetteur.

### IMPORTANT NOTE:

#### Radiation Exposure Statement:

This equipment complies with "Industry Canada RSS-102 for radiation exposure limits set forth for an uncontrolled environment".

This equipment should be installed and operated with minimum distance 20cm between the radiator and your body.