



Variants difference declaration

To whom may concern,

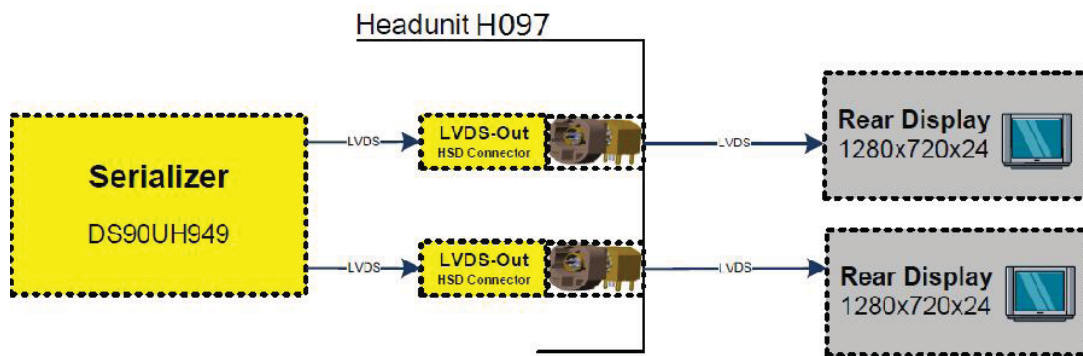
We, Harman Automotive Electronic Systems (Suzhou) Co., Ltd. hereby declares that between H097 and H087, the difference is described as below content, other parts are identical.

PCB assembly:

The components supporting the two rear displays are located on the main PCB 4110;

On this PCB 4110:

- In the H097, the LVDS serializer and the HSD connectors are assembled.
- In the H087, the LVDS serializer and the HSD connectors are not assembled.



Yellow parts are not assembled in the production of H087

If you have any questions, please feel free to contact me at the address shown below.

Sincerely,

(signed)

Name: Danie Hong

Company: Harman Automotive Electronic Systems (Suzhou) Co., Ltd

Address: No125 Fangzhou Rd, Suzhou SIP, Jiangsu, China 215024

Phone: +86 512 62554740

Fax: +86 512 67631503

Email: danie.hong@harman.com