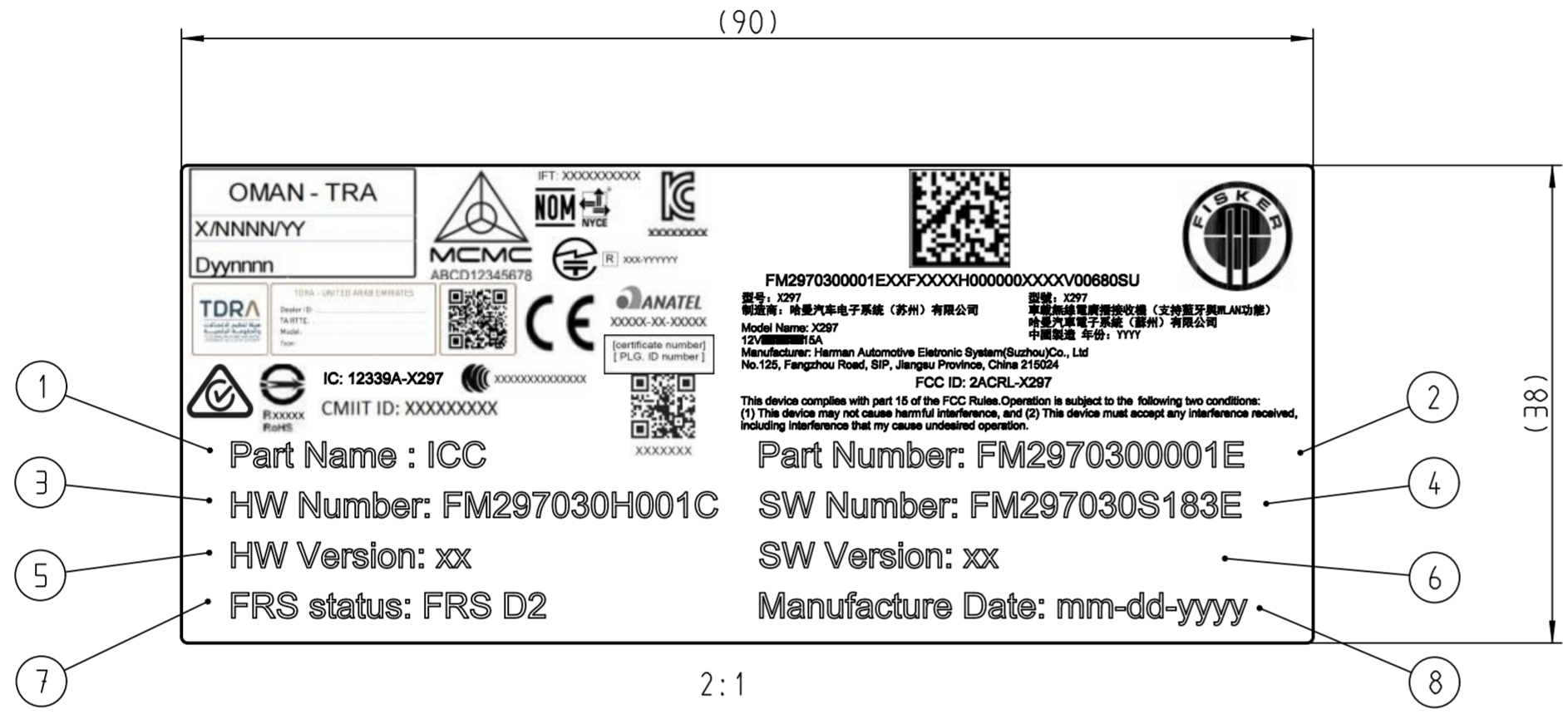
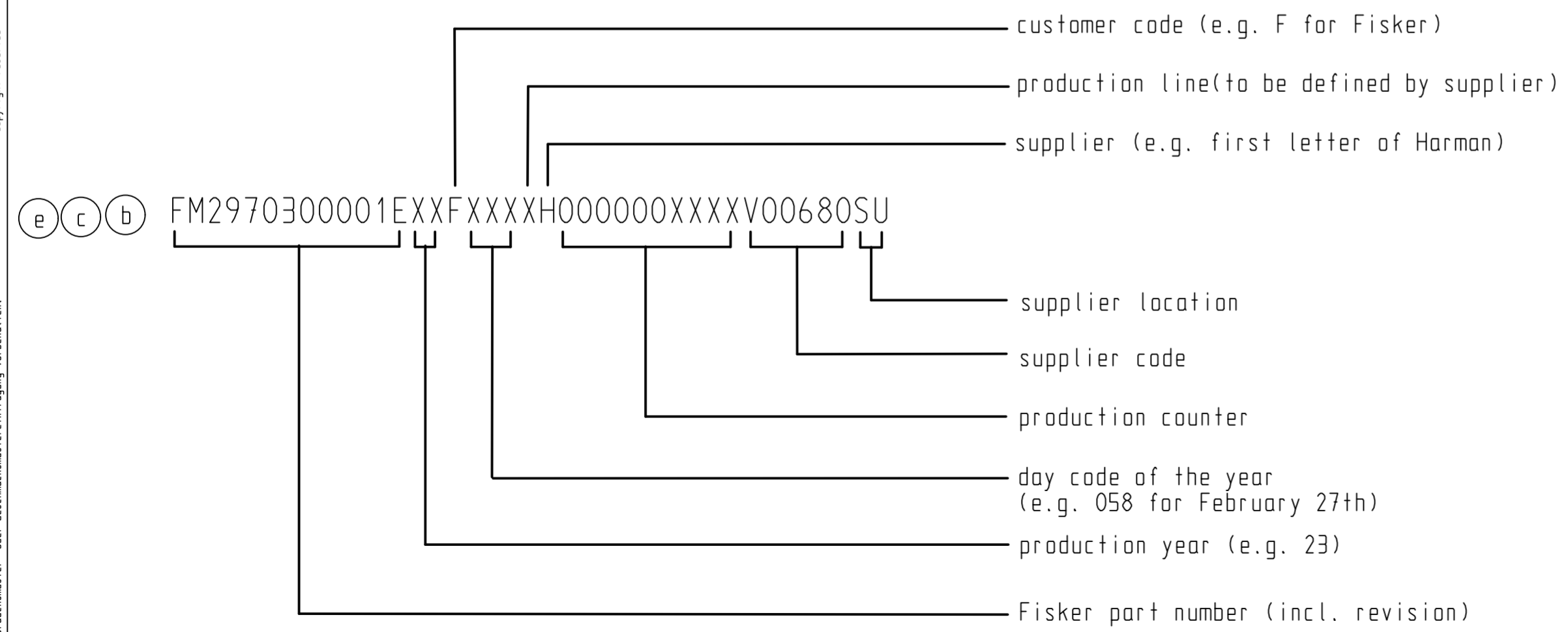


Pos.	NAME	CONTENT	COMMENT
1	Part Name	ICC	
2	Part Number:	FM2970300001E	Recommended font is helvetica, typeface normal
3	HW Number	FM297030H001C	
4	SW Number	FM297030S183E	
5	HW Version	xx	The content of x update according to HW version
6	SW Version	xx	The content of x update according to SW version
7	FRS status	FRS D2	Function release step
8	Manufacture Date	mm-dd-yyyy	MONTH-DAY-YEAR

e C b  
e b  
e C b  
e C b



BAR CODE CONSISTS OF FOLLOWING CONTENTS:



NOTES:

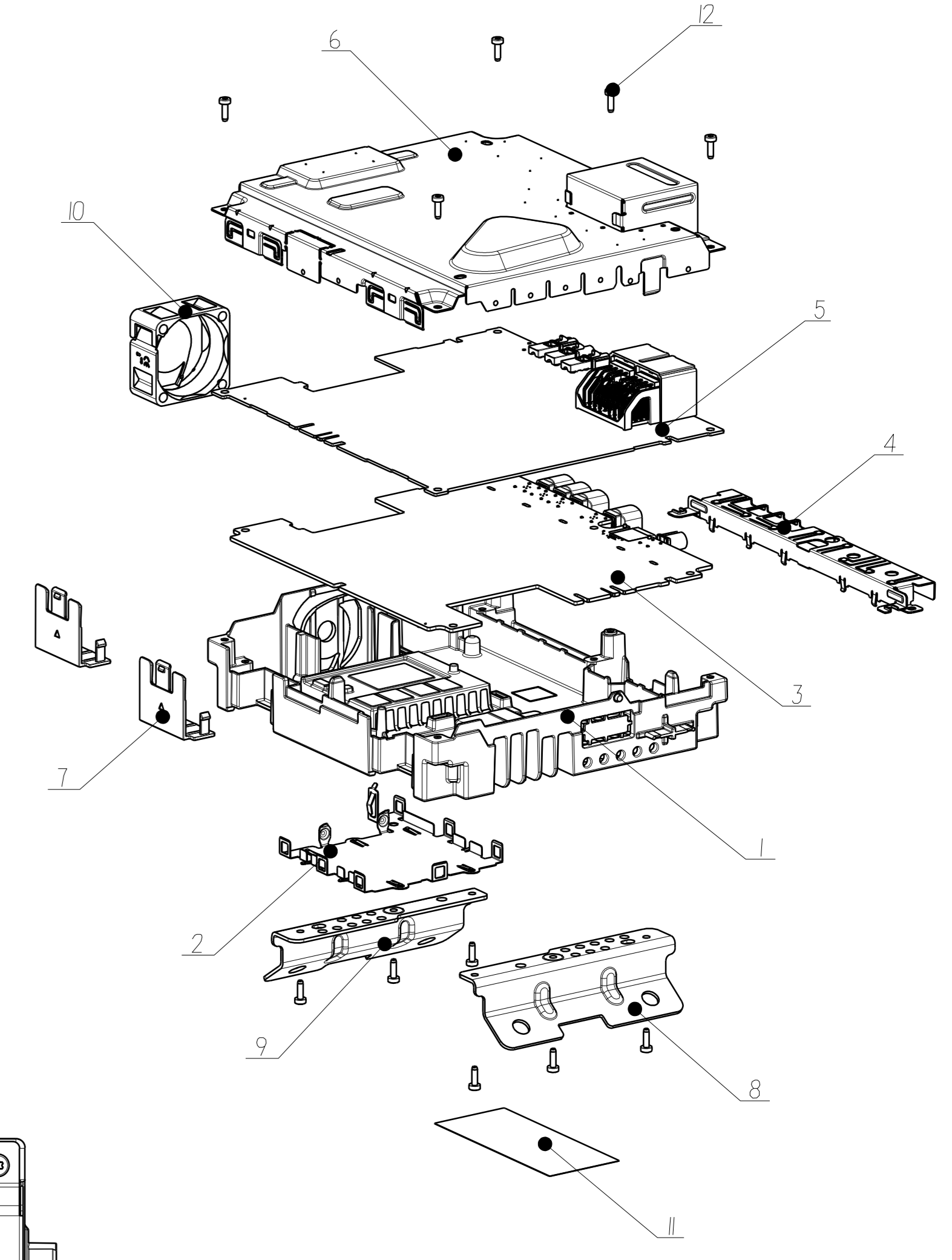
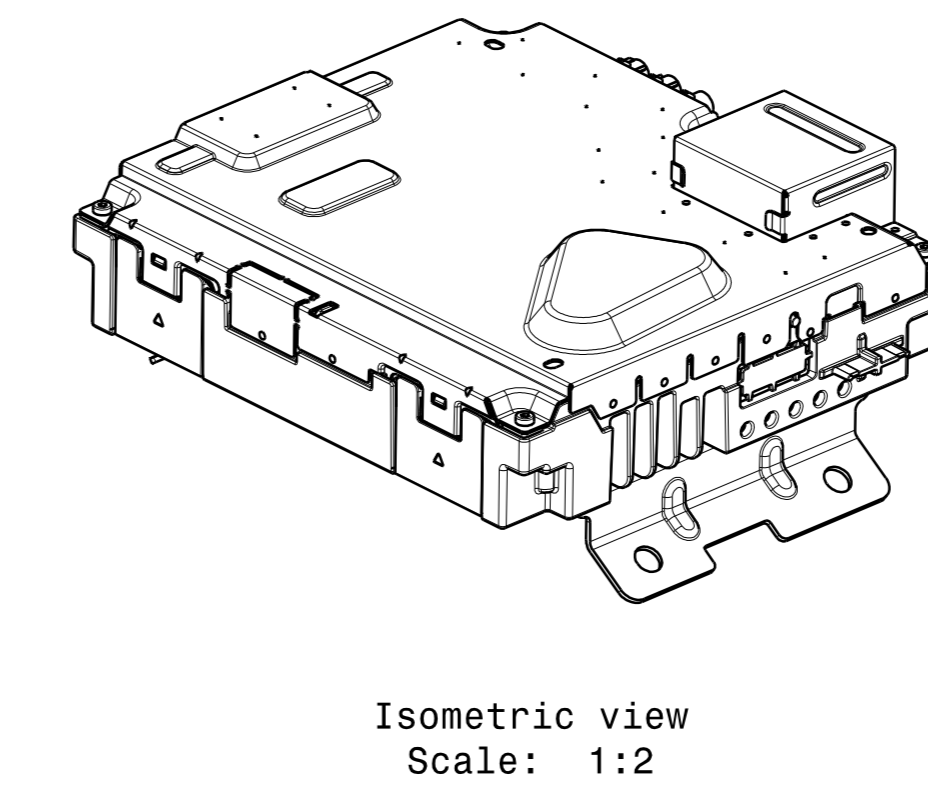
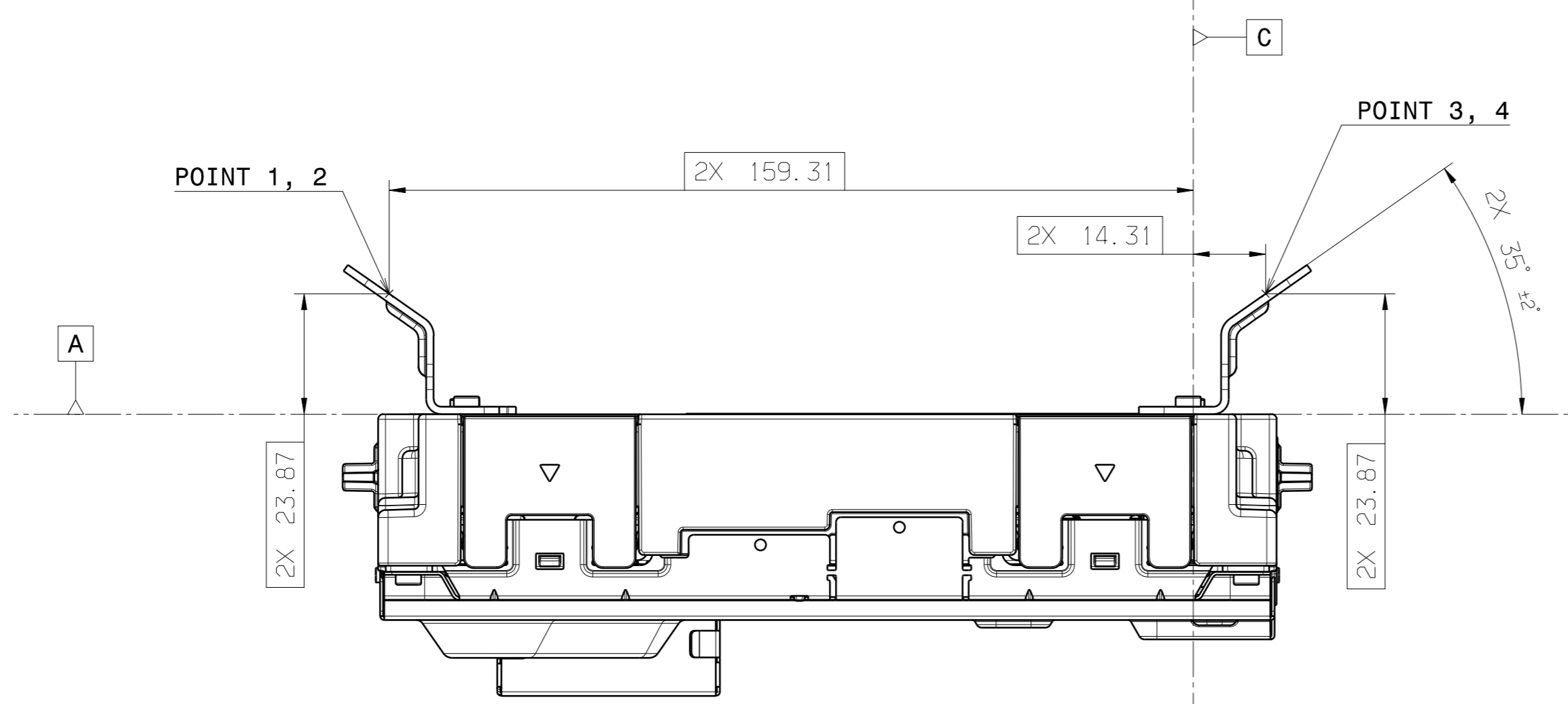
- 1) THIS PART TO COMPLY WITH HARMAN SPECIFICATION 301573
- 2) ACCORDING TO DIRECTIONS OF BECKER SPECIFICATIONS:  
-QM-GUIDELINE FOR SUPPLIERS: 1555.499
- 3) PRINTING BLACK COPY ON WHITE BACKGROUND
- 4) LABEL SHOWN FOR ARTWORK REFERENCE ONLY
- 5) PRINT CHINESE CHARACTER FONTS AS Adobe Heiti Std R, ENGLISH AND NUMBER RECOMMENDED AS helvetica
- 6) MATERIAL SPECIFICATION LOOK AT 1923919

e	5	Change PN and serial No. and HW No. and SW No. and FRS No.	236668	20221213	HuXie	HRao
c	4	Change PN and serial No. and SW No. and FRS No.	235633	20220819	HuXie	HRao
b	5	Change PN and serial No. and HW No. and SW No. and FRS No.	234500	20220505	HuXie	HRao
a	-	Initial release	231972	20210928	HuXie	HRao
Index/Rev.	mat/mul.	Anderungs-Art/type of change	And.-Nr/chg.-nr.	And.-Datum/date of chg.	bearb./auth.	geprüft/checked
Werkstoff/material see notes						
Oberfläche/finish			Unlatenzierte Maße nach/dim. without tol. accord. to DIN ISO 2768 mK			
HARMAN		Tolerierung/tolerancing ISO 8015	Fertiggev./weight in g gewog./weighed [ . 0 ] errechnet/calcd. 0±12%		Maßstab/scale 1:1	Datum/date 20210928 Name/name HuXie
Benennung/description			Blatt/sheet 1		Blätter/sheets 1 Format/drawing size A2	
CERTIFICATION LABEL FM29			X297		Typ-Nr./mod.No. 1 Ident-Nr./ P/N 4046831	
Ersatz für./subst. for			Ersetzt durch./subst. by X297 4046831			

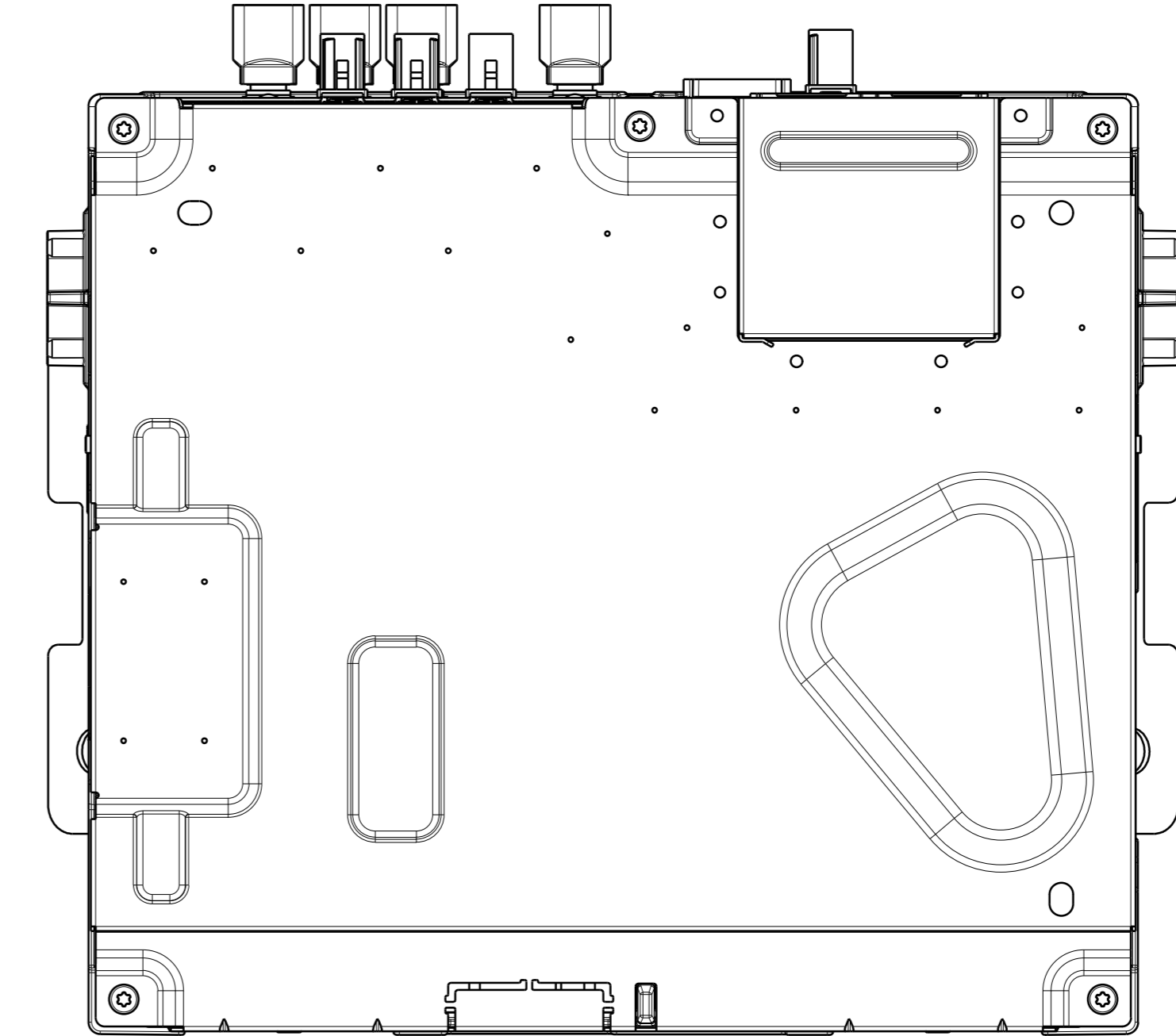
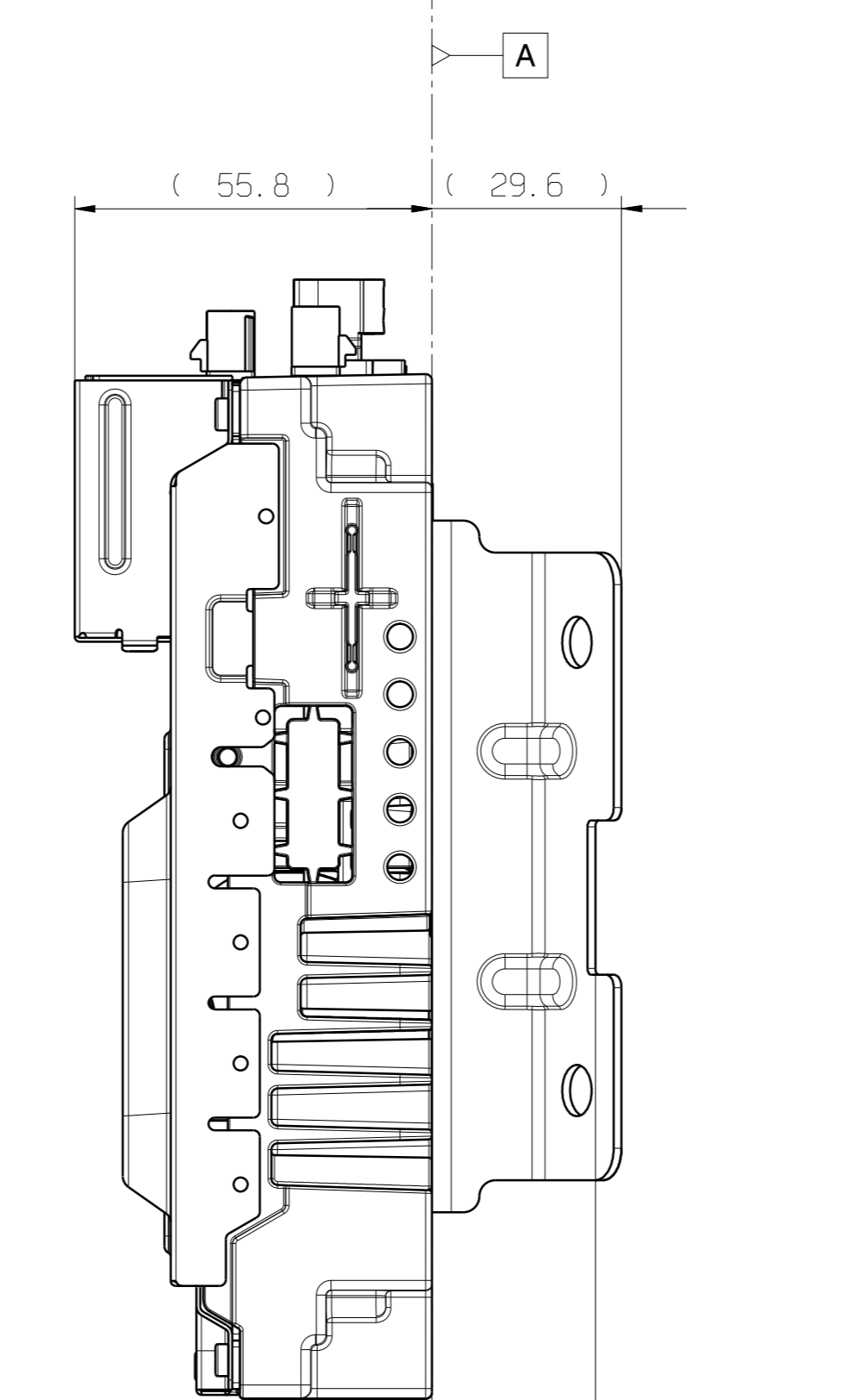
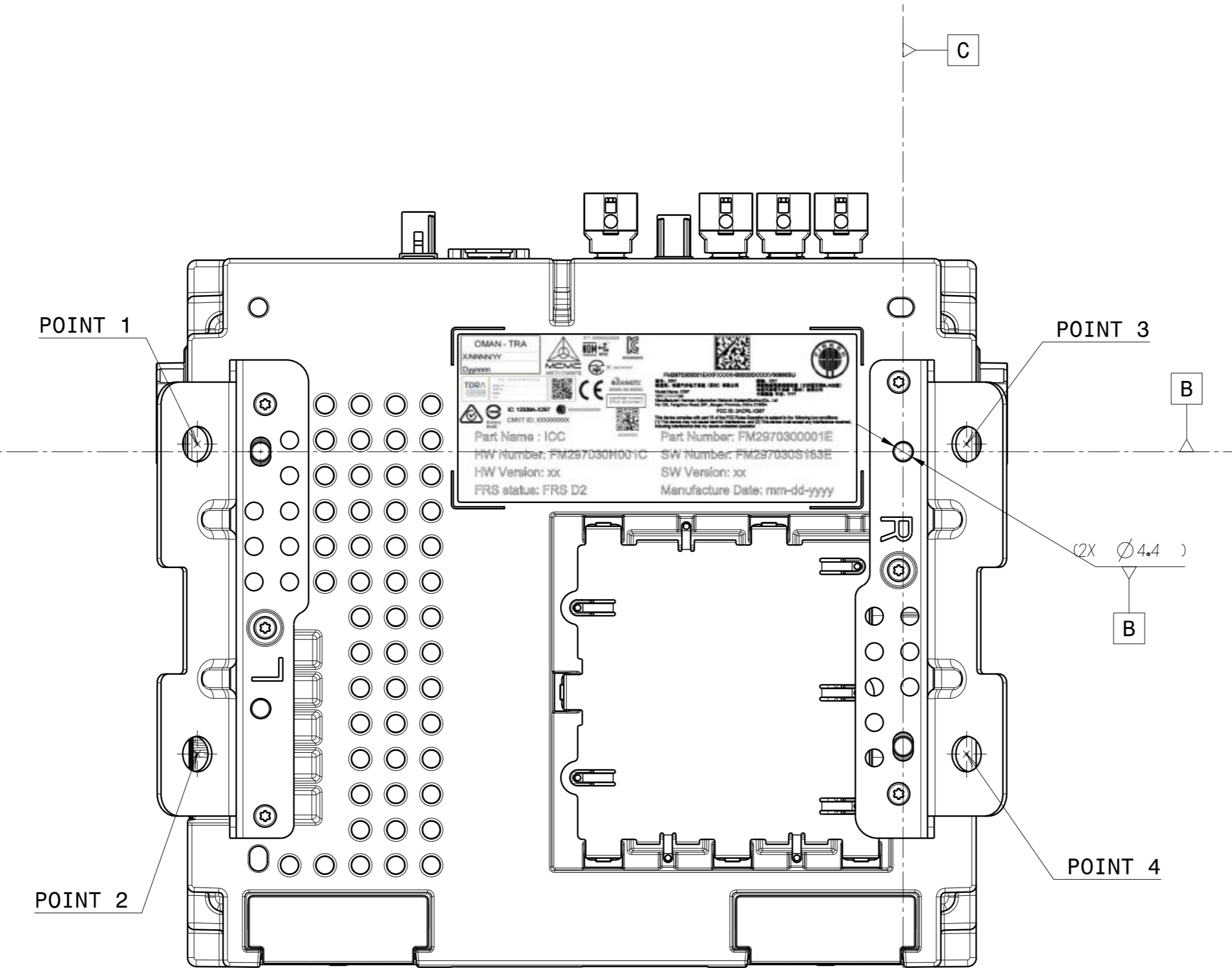
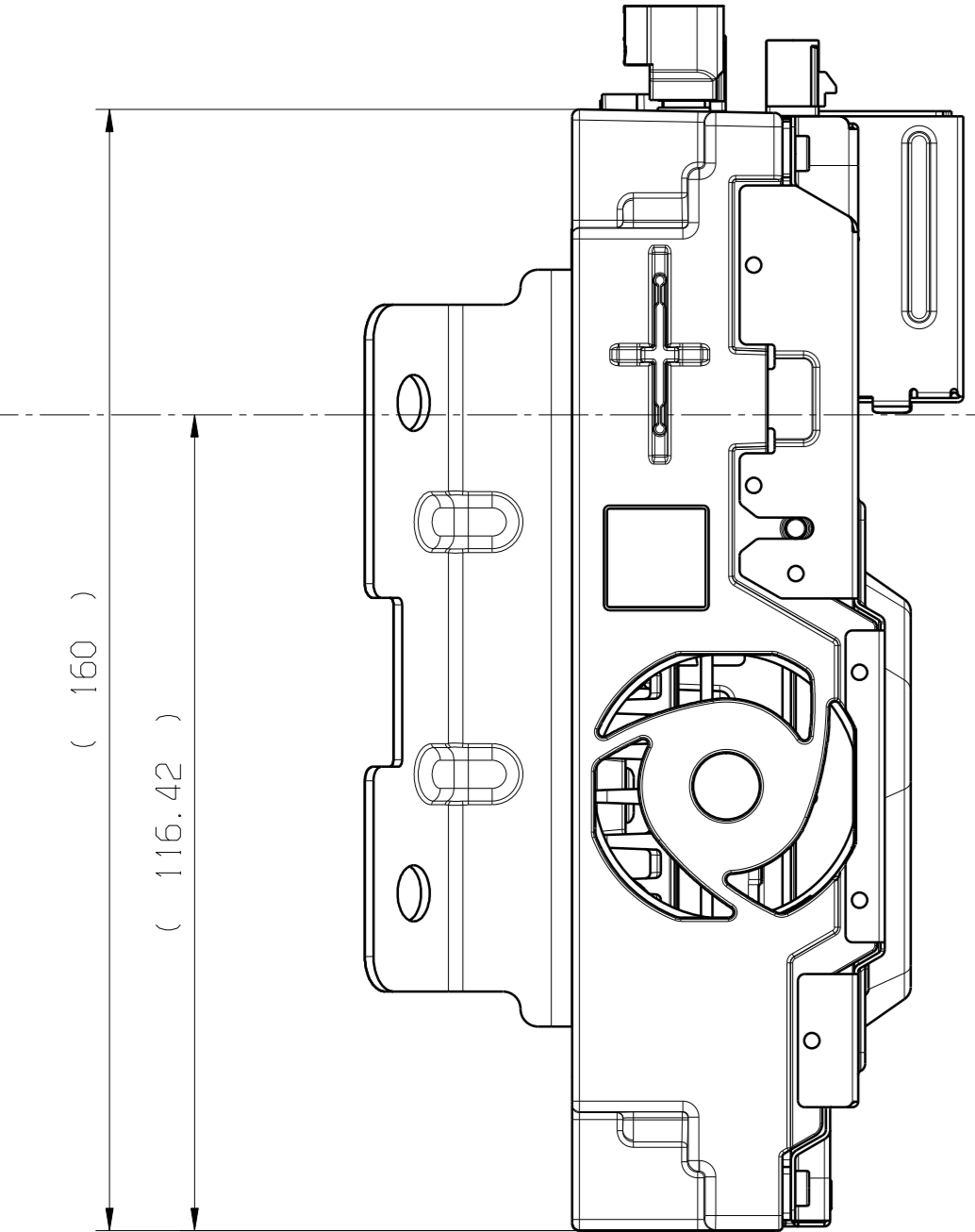
The reproduction, distribution and utilization of this document as well as the communication of its contents to others without explicit authorization is prohibited. Offenders will be held liable for the payment of damages. All rights reserved in the event of the grant of a patent, utility model or design.

Weitergabe sowie Vervielfältigung dieses Dokuments, Verwertung und Mitteilung seines Inhalts sind verboten, soweit nicht ausdrücklich gestattet. Zuwiderhandlungen verpflichten zu Schadensersatz. Alle Rechte für den Fall der Patent-, Gebrauchsmuster- oder Geschmacksmustereintragung vorbehalten.

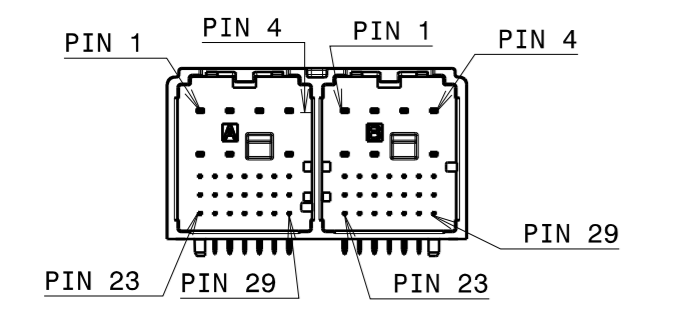
Copyright reserved



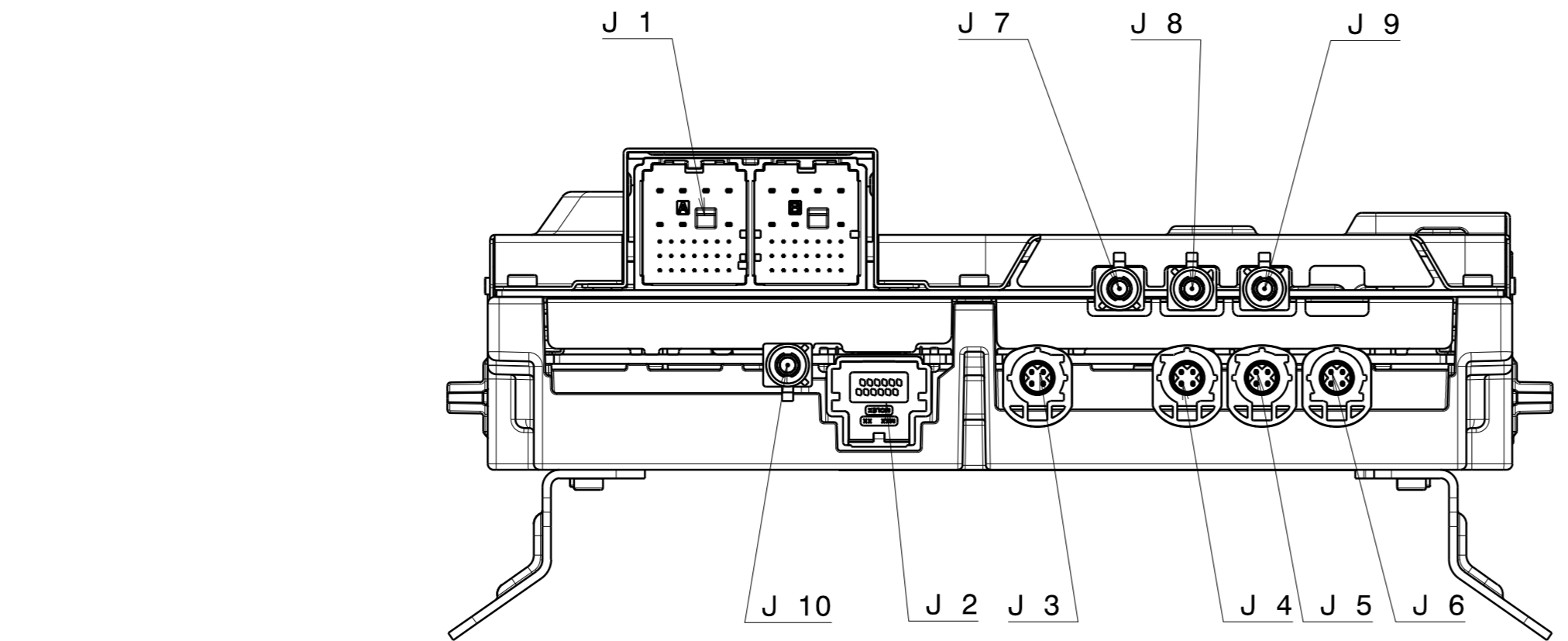
12	SCREW	16	17B2
11	CERTIFICATION LABEL	1	POLYESTER FILM
10	FAN	1	THERMOPLASTIC PBT
9	BRACKET RIGHT	1	SECC-N5
8	BRACKET LEFT	1	SECC-N5
7	ANTENNA COVER	2	PC+ABS
6	BOTTOM COVER ASY	1	SECC; SUS301
5	PCBA 4010	1	-
4	EMC SHIELD MID	1	SECC-N5
3	PCBA 4110	1	-
2	CHASSIS TOP SHIELD	1	SUS301
1	CHASSIS TOP	1	ADC12
No	PART NAME	QUANTITY	COMMENT



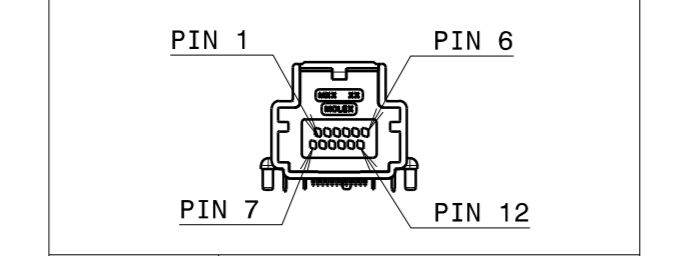
FUNCTION	J 1 (MAIN CONNECTOR)
P/N	MOLEX: SD-160013-0641



PIN NO.	PIN DEFINITION	PIN NO.	PIN DEFINITION
1	Battery	17	NC
2	RR-	18	TBOX Audio+
3	NC	19	MIC_RR_N
4	FR+	20	MIC_FR_P
5	Battery GND	21	MIC_FR_N
6	RR+	22	MIC_FR_GND(reserved)
7	NC	23	NC
8	FR-	24	NC
9	IBUS1 CAN H	25	TBOX Audio-
10	KL15 ON	26	MIC_RR_GND(reserved)
11	NC	27	MIC_RL_P
12	NC	28	MIC_RL_N
13	NC	29	MIC_RL_GND(reserved)
14	NC		
15	NC		
16	IBUS1 CAN L		
17	IBUS2 CAN H		
18	Radar DAT(reserved)		
19	A2B Data+		
20	NC		
21	NC		
22	NC		
23	NC		
24	IBUS2 CAN L		
25	NC		
26	A2B Data-		
27	PCL1(high side),IDS Wake		
28	PCL2(high side),CDS and TDS Wake		
29	Brake fluid position detection		



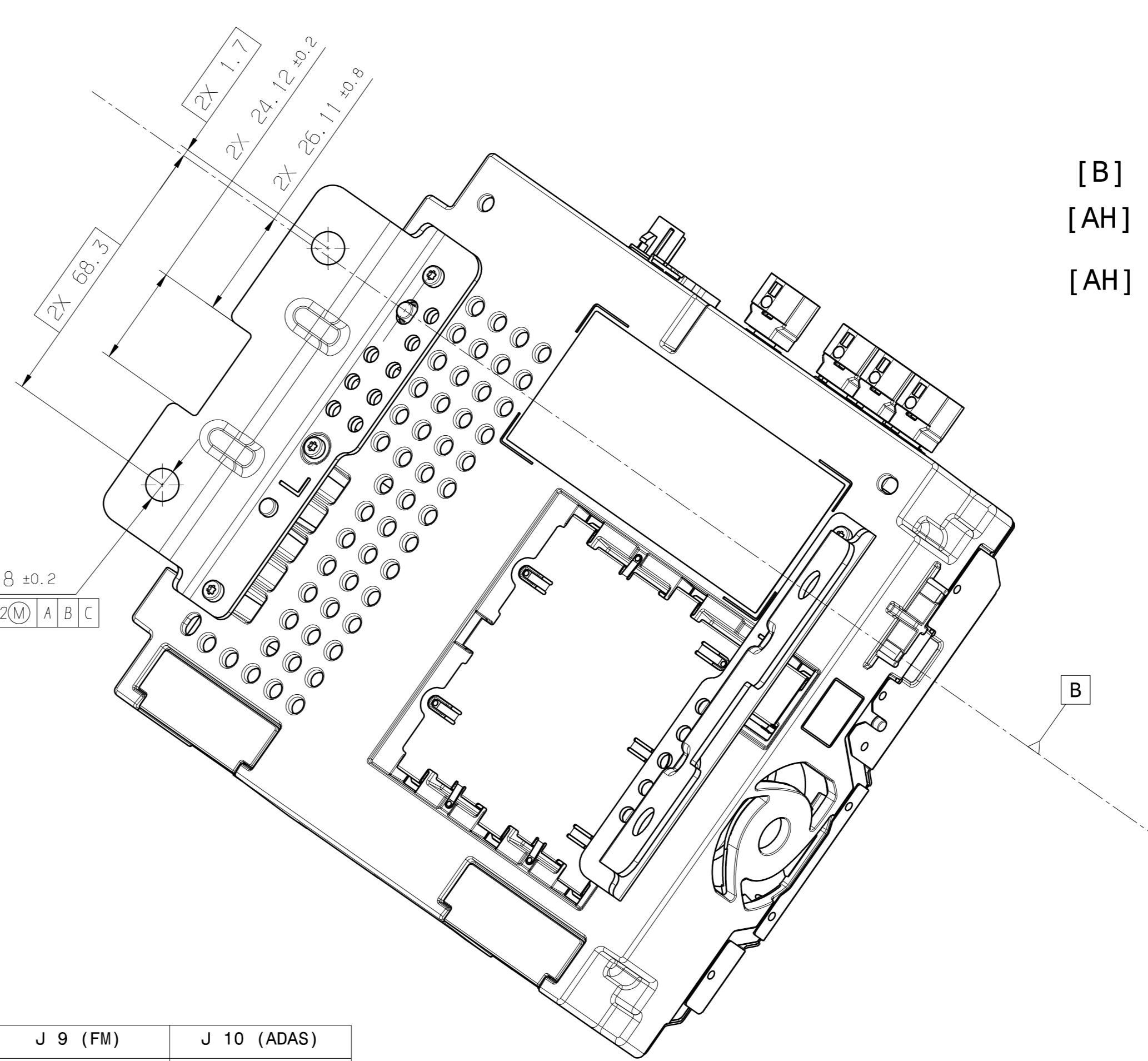
FUNCTION	J 2 (USB DOCK)
P/N	MOLEX: SD-34861-1406



PIN NO.	PIN DEFINITION
1	GND A1 TX ( DRAIN )
2	STD A1 SSTX+
3	STD A1 SSTX-
4	GND A2 ( DRAIN )
5	STD A2 SSRX+
6	STD A2 SSRX-
7	Charge Enable
8	D- PAIR 1
9	D+ PAIR 1
10	GND C2
11	DM
12	DP
BRD+SHD	BRAID TO SHIELD

FUNCTION	J 3 (CID)	J 4 (CLUSTER)	J 5 (TOUCH STRIP)	J 6 (T-BOX)
P/N	ROSENBERGER: D4S20L-40MA5-E	ROSENBERGER: D4S20L-40MA5-C	ROSENBERGER: D4S20L-40MA5-D	ROSENBERGER: D4S20L-40MA5-A
CODE (COLOR)	CODE"E" (GREEN)	CODE"C" (BLUE)	CODE"D" (BORDEAUX)	CODE"A" (BLACK)
PIN NO.	PIN DEFINITION	PIN DEFINITION	PIN DEFINITION	PIN DEFINITION
1	Remote Display-LVDS A+	Remote Display-LVDS A+	Remote Display-LVDS A+	VBUS
2	Remote Display-LVDS B+	Remote Display-LVDS B+(Reserved)	Remote Display-LVDS B+(Reserved)	DP
3	Remote Display-LVDS A-	Remote Display-LVDS A-	Remote Display-LVDS A-	GND
4	Remote Display-LVDS B-	Remote Display-LVDS B-(Reserved)	Remote Display-LVDS B-(Reserved)	DM
SHIELD	GND	GND	GND	GND

FUNCTION	J 7 (DAB)	J 8 (FM2)	J 9 (FM)	J 10 (ADAS)
P/N	ROSENBERGER: 59S2A0-40MT5-K	ROSENBERGER: 59S2A0-40MT5-B	ROSENBERGER: 59S2A0-40MT5-A	ROSENBERGER: 59S2A0-40MT5-D
CODE (COLOR)	CODE"K" (CURRY)	CODE"B" (WHITE)	CODE"A" (BLACK)	CODE"D" (BORDEAUXVIOLET)
PIN NO.	PIN DEFINITION			
1	SIGNAL INPUT			
SHIELD	GND			



- TECHNICAL REQUIREMENT:
- Free of breakage, scratch and contamination for product appearance surface (Visual checking distance for product appearance surface, approximately an arm's length. Captured appearance defects should be rejected base on the visual checking distance of 60cm, to be discussed for unspecified viewing conditions.)
  - Operating voltage:9V~16V DC.
  - The max operating current: <15A.
- [B] 4 The static current of ICC ≤2mA.
- [AH] 5 Comply with country certification of global market . the product label content shall contain certification code and information.
- [AH] 6 Detecting, results determining and reporting requirements of hazardous substances should comply with the Global Automotive Declarable Substance List

Index change order	Description	Editor	Design res.	Date
Material	see drawing	Supplier & Supplier number		
Surface protection	see drawing	Creator	Design res.	Department
Tolerance	Mass (kg)	Designation	ICC ASSY	Approval
Project	Scale	Part number		
FM29	1:1	FM2970300001E		
		System	Size/Sheet/Rev./Order no.	Date
		DATIA VS R2H AD 1/1 001		21.12.2021