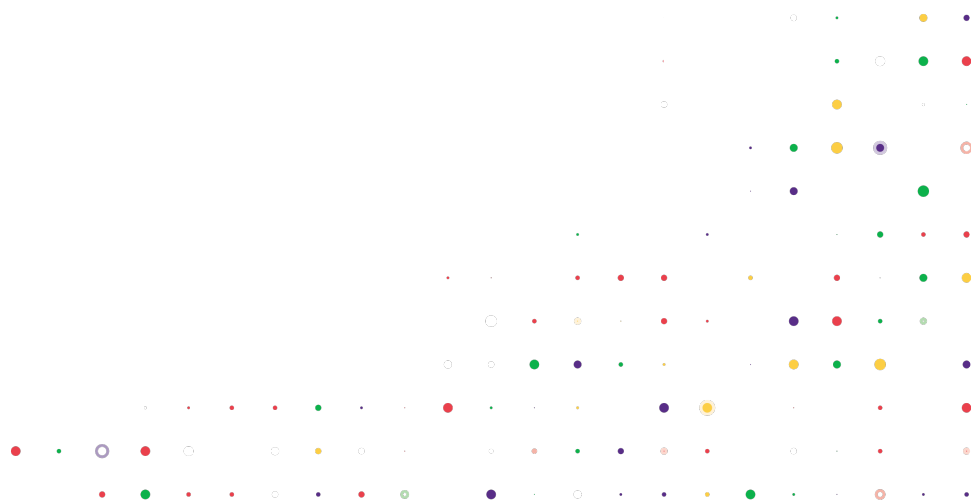


G1 Labels Product Specification

Last change: 26.02.2020



1 Label Family Introduction	4
1.1 General Key Features	4
1.2 The G1 label family	4
2 Barcode Information	5
2.1 Serial Number	5
2.1.1 Producer is 01	5
2.1.2 Producer is not 01	6
3 Mechanical Characteristics	7
3.1 Technical characteristics	7
3.1.1 G1 1.6 BWR	7
3.1.2 G1 2.2 BWR	8
3.1.3 G1 2.6 BWR and G1 2.7 BW / BWR	8
3.1.4 G1 4.2 BW / BWR and G1 4.4 BW / BWR	9
3.1.5 G1 4.5 BWR	9
3.1.6 G1 6.0 BWR	10
3.1.7 G1 7.4 BW / BWR	10
3.1.8 S-tag 6 HF	11
3.2 Mechanical Dimensions	11
3.2.1 G1 1.6 BWR	11
3.2.2 G1 2.2 BWR	11
3.2.3 G1 2.6 BWR	11
3.2.4 G1 2.7 BW / BWR	12
3.2.5 G1 4.2 BW / BWR	12
3.2.6 G1 4.4 BW / BWR	13
3.2.7 G1 4.5 BWR	13
3.2.8 G1 6.0 BWR	14
3.2.9 G1 7.4 BW / BWR	14
4 Electrical & RF Characteristics	16
4.1 Power and Current Consumption	16
4.2 Transmission power	16
5 NFC	17
5.1 Functionality	17
5.1.1 Application	17
5.1.2 Redirection/Forwarding (for demo purposes only)	18
5.2 Ordering Information	18
6 Environmental	19
6.1 General	19
6.2 Cleaning Instructions	19
6.3 Humidity Conditions	19
7 Storage and warehousing	20
8 Battery lifetime	21
9 Battery Replacement	22
9.1 Audience	22

9.2 Instructions	22
9.3 Steps	22
9.3.1 G1 1.6 BWR	22
9.3.2 All labels except G1 1.6 BWR	22
10 Reliability Test Items	23
11 Certifications	24
11.1 Types	24
11.2 Overview	24
11.3 Applied Standards	24
11.4 Declaration	25
11.4.1 FCC	25
11.4.2 IC	25
11.4.3 IFT	25
11.4.4 NCC 警語:	25
12 Packing	26
12.1 G1 1.6 BWR	26
12.2 G1 2.2 BWR	26
12.3 G1 2.6 BWR	26
12.4 G1 2.7 BW / BWR	27
12.5 G1 4.2 BW / BWR	27
12.6 G1 4.4 BW / BWR	27
12.7 G1 4.5 BWR	28
12.8 G1 6.0 BWR and G1 7.4 BW / BWR	28
13 Intended Use	29
14 Improper Use	30

1 Label Family Introduction

The SES-imagotag electronic shelf label family offers high-quality display options, operating with a replaceable battery, thus working without any external power supply.

The performance of the labels (updates per hour) depends on the mode of the access point. In the USA and Canada the AP-2010 usa/canada bundle incl. antenna with limited data efficiency is required (based on the FCC/IC regulation).

1.1 General Key Features

- 2.4 GHz proprietary radio protocol
- Radio coverage: up to 25 meters
- Bi-directional communication
- 11 available communication channels
- Ultra-low power consumption
- Customer-replaceable battery
- Full graphical e-Ink display with paper-like readability
- Different configurations available (theft protection, display protection, LED flash)
- Label versions for deep-freezing environments
- Super wide viewing angle (nearly 180 degrees)
- Flexible mounting options available
- May be used in landscape and portrait mode
- Fast response time (less than 15/30 seconds, depends on wakeup time)
- 128-bit AES encryption with secure key exchange
- Multiple pages support with preloading and fast page switching
- Integrated Passive NFC tag

1.2 The G1 label family

The SES-imagotag G1 BWR label family is capable of changing all pixels to black, white or red. The current line-up has display sizes from 1.6 inch to 12.2 inch.

Caption	Display Resolution	Density (dpi)	Display Colors	Useable Pages	Active Display Area (mm)	Updates/hour/AP (standard / FCC&IC mode)	Battery life-time: 5 years with N updates per day
G1 1.6 BWR NFC	152 x 152	140	b/w/r	4*	27.5 x 27.5	7500/4600	1
G1 2.2 BWR NFC	212 x 104	111	b/w/r	4*	48.6 x 23.8	8500/5000	2
G1 2.6 BWR NFC	296 x 152	125	b/w/r	4*	60.1 x 30.7	4500/2600	2
G1 2.7 BW NFC	264 x 176	117	b/w	8*	57.3 x 38.2	5000/2700	4
G1 2.7 BWR NFC	264 x 176	117	b/w/r	4*	57.3 x 38.2	4500	2
G1 4.2 BW NFC	400 x 300	120	b/w	4*	84.8 x 63.6	3000/1600	4
G1 4.2 BWR NFC	400 x 300	120	b/w/r	4*	84.8 x 63.6	2000/1300	2
G1 4.5 BWR NFC	480 x 176	117	b/w/r	4*	104.2 x 38.2	2500/1500	2
G1 6.0 BWR NFC	600 x 448	129	b/w/r	4*	114.9 x 85.8	900/500	2
G1 7.4 BW NFC	480 x 800	126	b/w	12*	97 x 161.6	1000/500	8
G1 7.4 BWR NFC	480 x 800	126	b/w/r	4*	97 x 161.6	600/300	2

*One useable page is shared with the registration code page. This page is initially shown when the label is shipped. After registration this page can be used as a custom page. To restore the original content a service utility is required. To prevent accidentals overwrite this page is protected. To unlock this page contact the SES-imagotag support team.

The content of all pages except page number 0 won't remain after a firmware update.

2 Barcode Information

The labels come with a label ID (which is a unique identifier – just like a MAC address) and this label ID as a barcode on the display (and printed on the back of the label).

The label ID consists of 8 hexadecimal digits (0-9 / A-F). The first 2 digits identify the different label types, shown on the following table:

Caption	Label-ID	Product Code	Model Code
G1 1.6 BWR NFC	F1xxxxxx	R16N01xxx	EDG1-0160-A
G1 2.2 BWR NFC	A5xxxxxx	R22N01xxx R22N02xxx	EDG1-0220-A
G1 2.6 BWR NFC	B6xxxxxx	R26N01xxx R26N02xxx	EDG1-0260-A
G1 2.7 BW NFC	B3xxxxxx	G1Bxxxxxx B27N01xxx	EDG1-0270-B
G1 2.7 BWR NFC	B5xxxxxx	R27N01xxx	EDG1-0270-B
G1 4.2 BW NFC	C7xxxxxx	B42N01xxx	EDG1-0420-A
G1 4.2 BWR NFC	C5xxxxxx	R42N01xxx	EDG1-0420-A
G1 4.4 BW NFC	C1xxxxxx	G1Cxxxxxx B44N03xxx	EDG1-0440-A
G1 4.4 BWR NFC	C4xxxxxx	R44N01xxx	EDG1-0440-A
G1 4.5 BWR NFC	C6xxxxxx	R45N01xxx	EDG1-0450-A
G1 6.0 BWR NFC	D4xxxxxx	R60N01xxx	EDG1-0600-A
G1 7.4 BW NFC	D1xxxxxx	G1Dxxxxxx B74N05xxx B74N03xxx	EDG1-0740-A
G1 7.4 BWR NFC	D3xxxxxx	R74N01xxx	EDG1-0740-A

2.1 Serial Number

Depends on Producer (A)

2.1.1 Producer is 01

Part	Description	Format	Example	Comment	Source
A	Producer	2 alpha	01		Specified by SES-imagotag once for each fab
B	Product family	3 alpha	G1B		Specified by SES-imagotag in the product specification document
C	Product version	3 alpha	301		
D	Product revision	3 alpha	001	Incremented on every change of product specification	
-	Separator	"-"	-		Fixed
E	Internal	1 alpha	B	Internal	
F	Year	1 dec	4	4=2014, 5=2015,...	
G	Week	2 dec	10	Calendar week in current year (01-53)	Calculated during production
H	Weekday	1 dec	3		
I	Internal	5 dec	00060	Continuous Serial Number (Counter)	

Format: AABBBCCDDDD-EFGGHHIIIII
Example: 01G1B301001-B410300060

2.1.2 Producer is not 01

Part	Description	Format	Example	Comment	Source
A	Producer	2 alpha	02		Specified by SES-imagotag once for each fab
B	Product family	3 alpha	R22		
C	Product version	3 alpha	N01	N = with NFC	Specified by SES-imagotag in the product specification document
D	Product revision	3 alpha	001	Incremented on every change of product specification	
-	Separator	"-"	-		Fixed
E	Year	1 alpha	E	E=2014, A=2010, B=2011...	Calculated during production
F	Week	2 dec	13		
G	Internal	6 dec	000065	Continuous Serial Number (Counter)	

Format: AABBBCCDDDD-EFFGGGGGG

Example: 02G1B302001-E13000065

Note: Calendar week date is calculated according to ISO 8601 (see http://en.wikipedia.org/wiki/ISO_week_date)

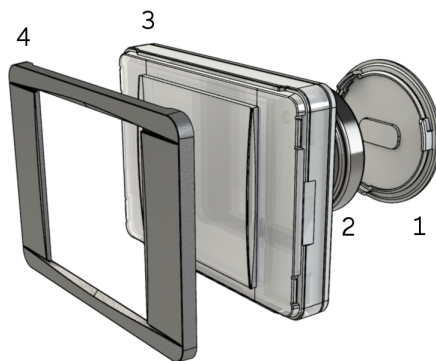
3 Mechanical Characteristics

3.1 Technical characteristics

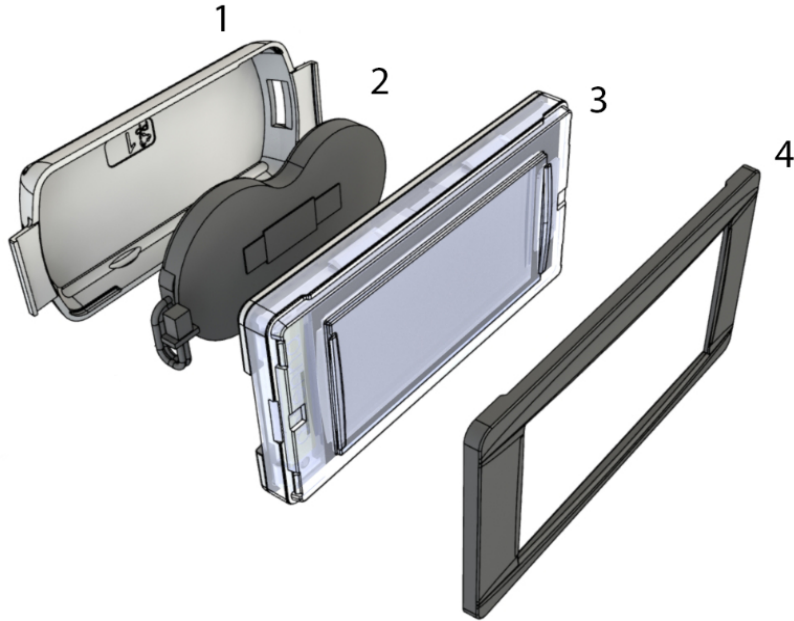
The G1 labels are made of several external parts:

1. Battery Cover including
 - a. Label ID
 - b. Label ID barcode
 - c. S/N
2. Battery pack / Coin cell
3. Main Unit including
 - a. Back Cover
 - b. PCB
 - c. Display
 - d. Transparent Front Cover
4. Front Cover Frame
 - a. Customizable in design and color
 - b. Replaceable

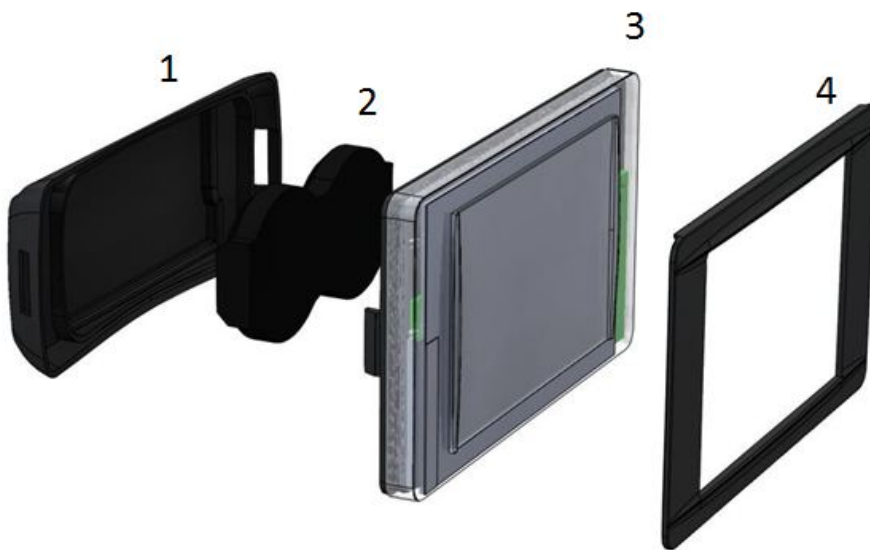
3.1.1 G1 1.6 BWR



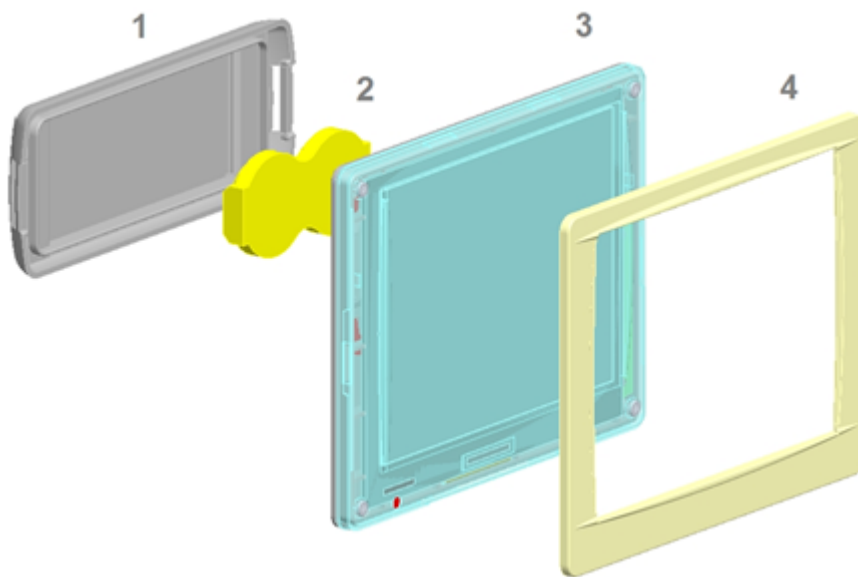
3.1.2 G1 2.2 BWR



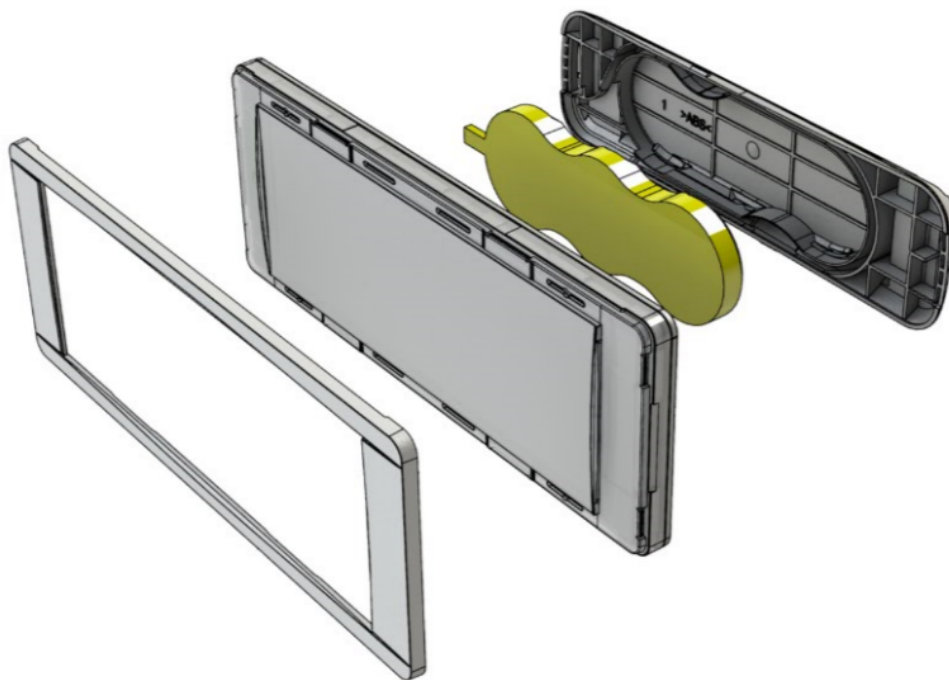
3.1.3 G1 2.6 BWR and G1 2.7 BW / BWR



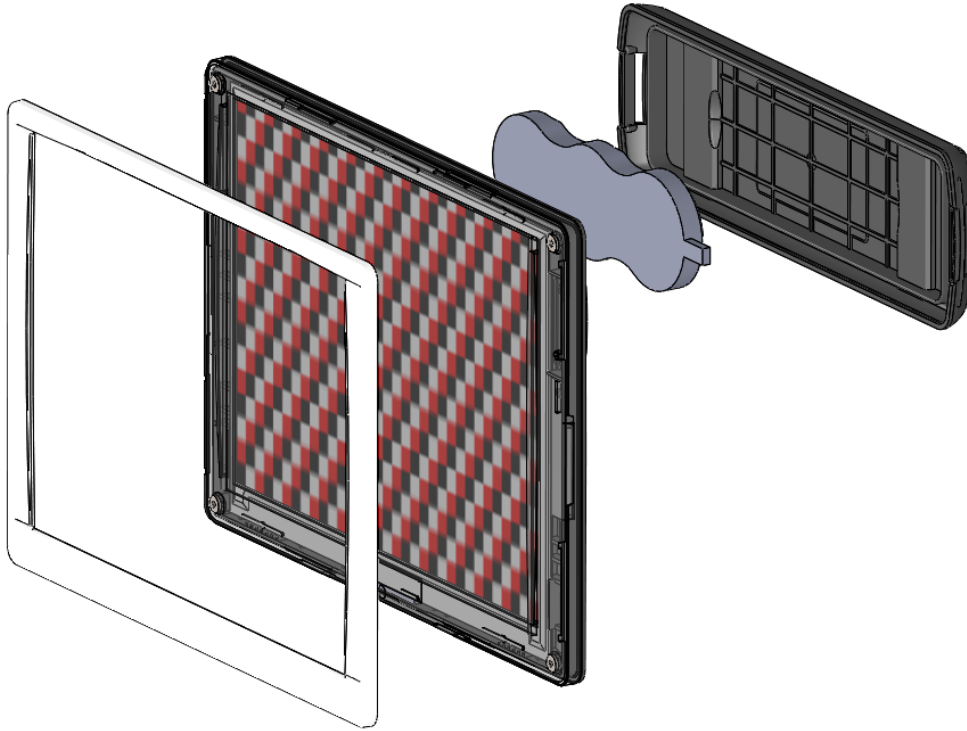
3.1.4 G1 4.2 BW / BWR and G1 4.4 BW / BWR



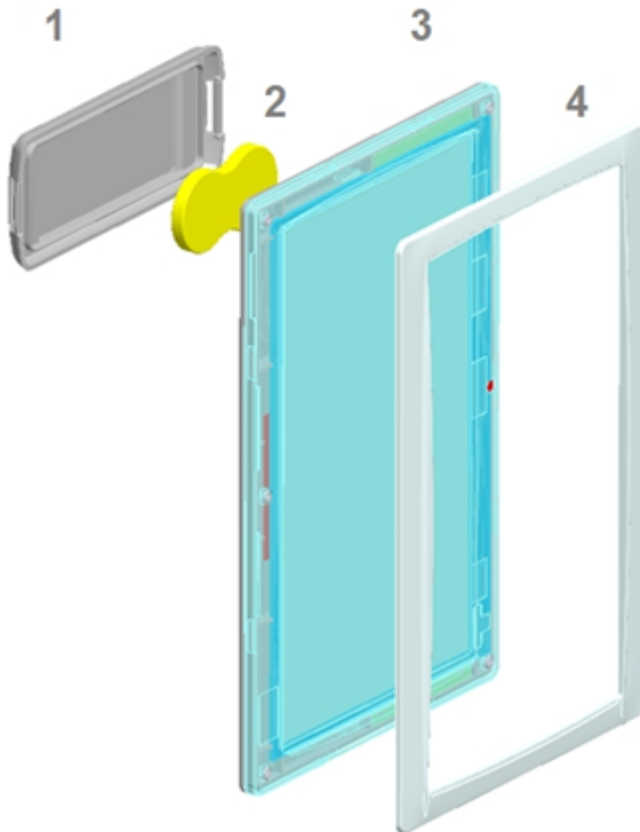
3.1.5 G1 4.5 BWR



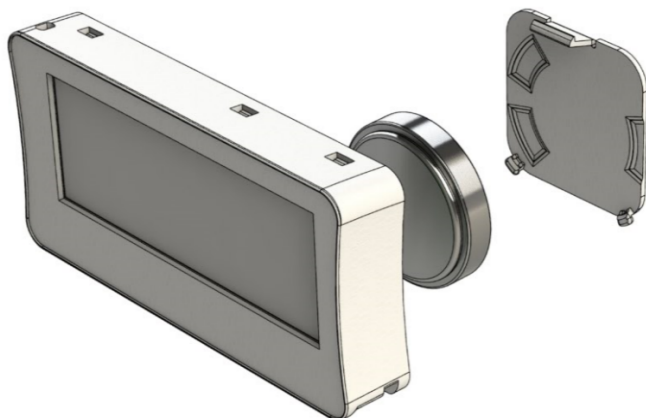
3.1.6 G1 6.0 BWR



3.1.7 G1 7.4 BW / BWR



3.1.8 S-tag 6 HF

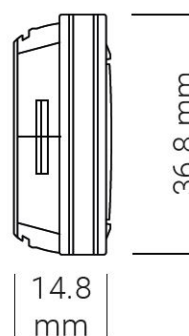
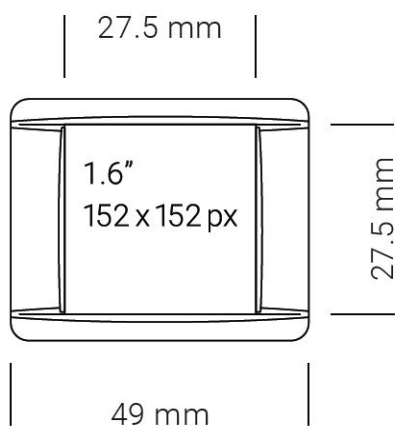


3.2 Mechanical Dimensions

3.2.1 G1 1.6 BWR

Outline (mm): 49 x 36.8 x 14.8

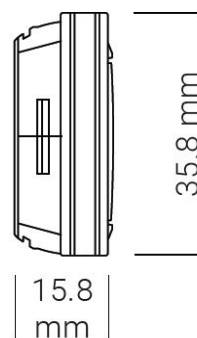
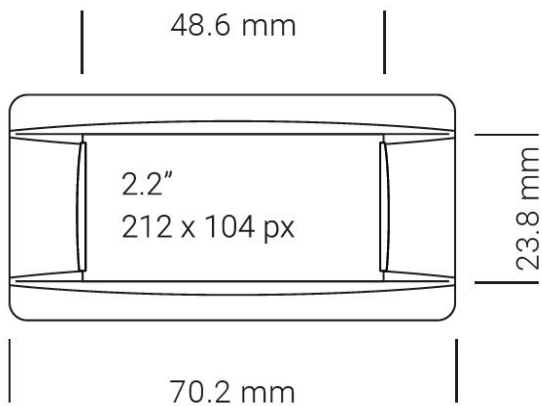
Weight: 24 g



3.2.2 G1 2.2 BWR

Outline (mm): 70.2 x 35.8 x 15.85

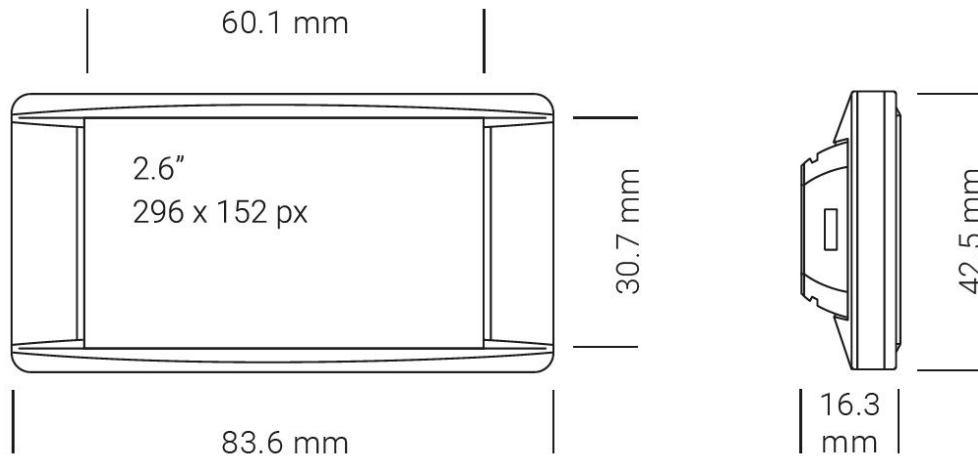
Weight: 38 g



3.2.3 G1 2.6 BWR

Outline (mm): 83.6 x 42.5 x 16.3

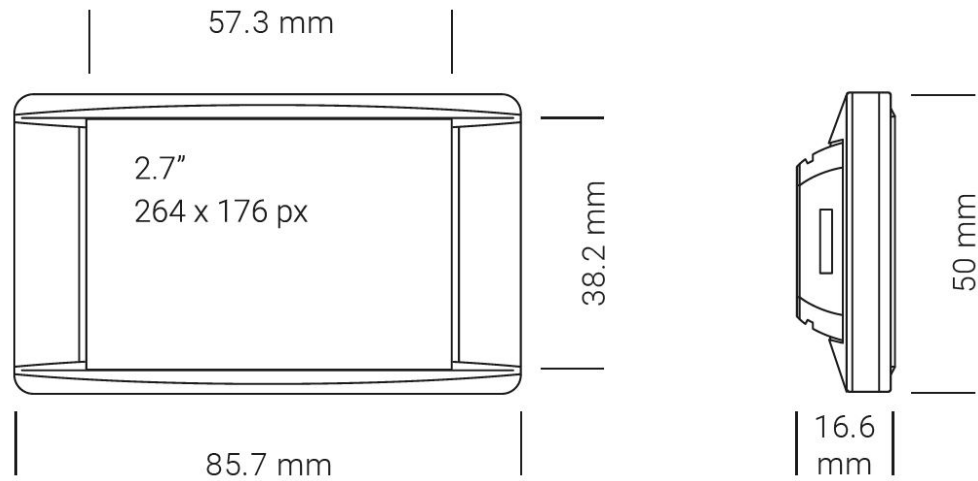
Weight: 45 g



3.2.4 G1 2.7 BW / BWR

Outline (mm): 85.7 x 50 x 16.6

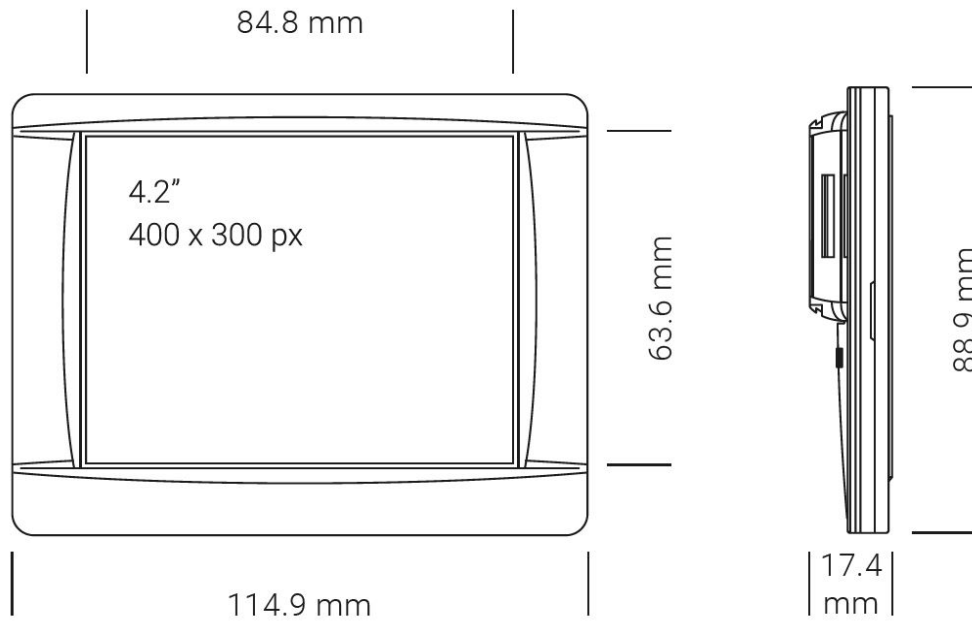
Weight: 50 g



3.2.5 G1 4.2 BW / BWR

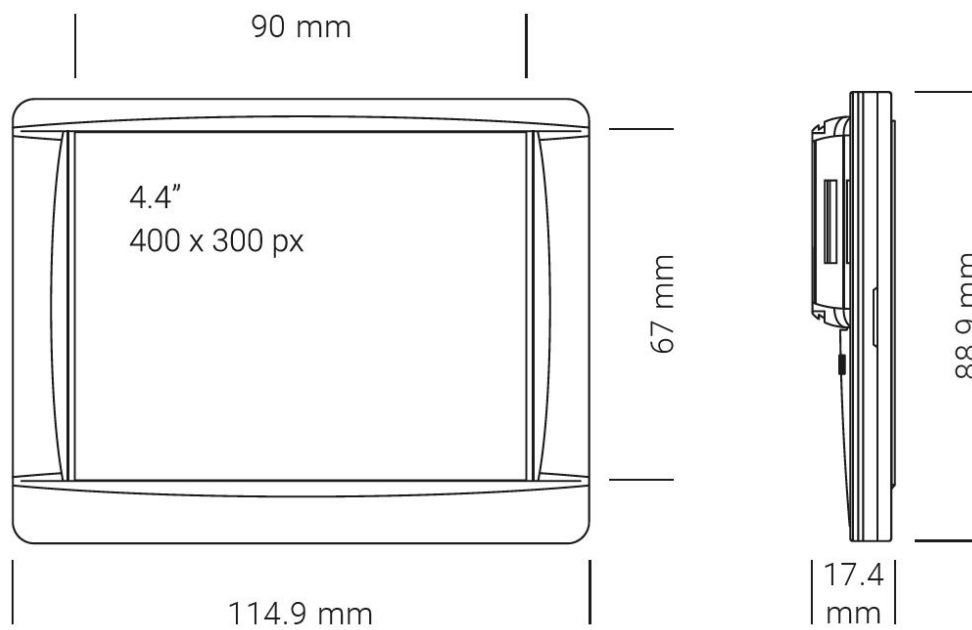
Outline (mm): 114.9 x 88.9 x 17.4

Weight: 104 g



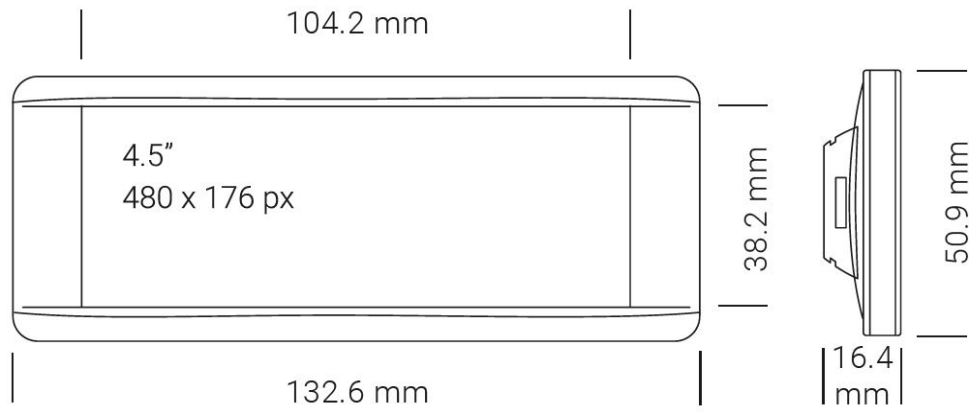
3.2.6 G1 4.4 BW / BWR

Outline (mm): 114.9 x 88.9 x 17.4
Weight: 104 g



3.2.7 G1 4.5 BWR

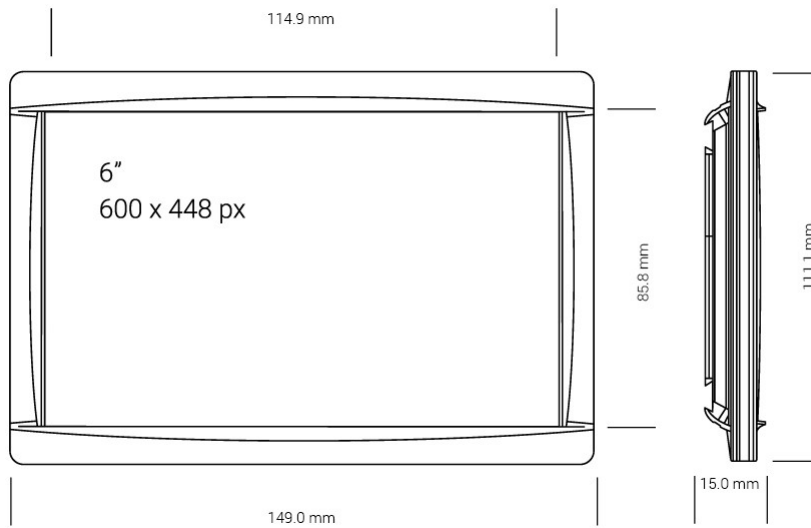
Outline (mm): 132.6 x 50.9 x 16.4
Weight: 78g



3.2.8 G1 6.0 BWR

Outline (mm): 149.0 x 111.1 x 15.0

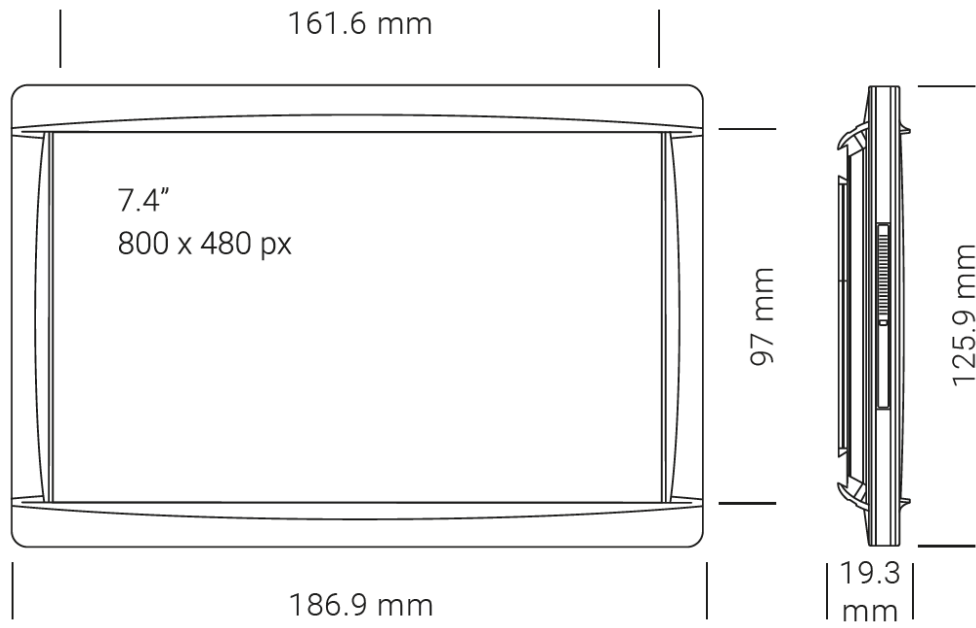
Weight: 139g



3.2.9 G1 7.4 BW / BWR

Outline (mm): 186.9 x 125.9 x 19.3

Weight: 239 g



4 Electrical & RF Characteristics

4.1 Power and Current Consumption

The power supply are 1, 2 or 3 cell-button batteries. The following table will give you a short overview about all kinds of labels and their batteries.

Caption	Battery Type	Operating Voltage	Nominal capacity	Wakeup (Seconds)	Battery life-time 5 years with N updates per day
G1 1.6 BWR NFC	1x CR2450	3 V	550 mAh	30	1
G1 2.2 BWR NFC	2x CR2450	3 V	1100 mAh	15	2
G1 2.6 BWR NFC	2x CR2450	3 V	1100 mAh	15	2
G1 2.7 BW NFC	2x CR2450	3 V	1100 mAh	15	4
G1 2.7 BWR NFC	2x CR2450	3 V	1100 mAh	15	2
G1 4.2 BW NFC	2x CR2450	3 V	1100 mAh	15	4
G1 4.2 BWR NFC	3x CR2450	3 V	1650 mAh	15	2
G1 4.4 BW NFC	2x CR2450	3 V	1100 mAh	15	4
G1 4.4 BWR NFC	3x CR2477	3 V	3000 mAh	15	2
G1 4.5 BWR NFC	3x CR2450	3 V	1650 mAh	15	2
G1 6.0 BWR NFC	3x CR2450	3 V	1650 mAh	15	2
G1 7.4 BW NFC	3x CR2477	3 V	3000 mAh	15	8
G1 7.4 BWR NFC	3x CR2477	3 V	3000 mAh	15	2

Note: battery lifetime can vary depending on the operating conditions of the labels (temperature, radio usage etc...) see *Battery lifetime* on page 21

4.2 Transmission power

Each label has got a transmission power of ≤ 10 dBm (according to the FCC certification).

5 NFC

All labels can be ordered with the NFC option. Labels with integrated NFC tag can be identified by the nameplate on the back of the label.

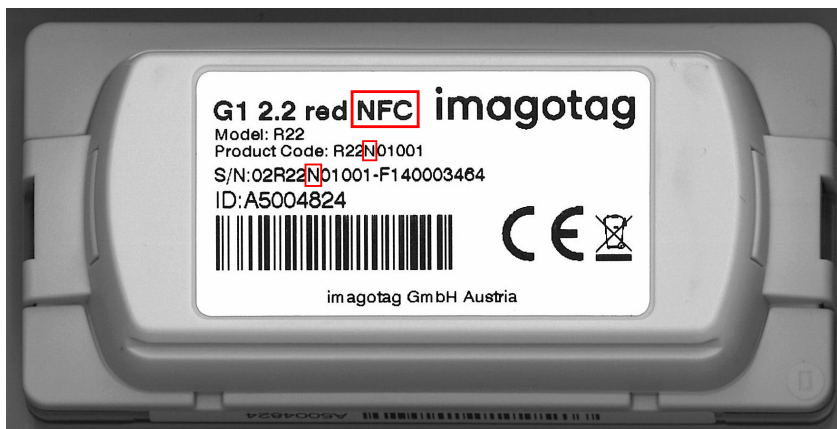


FIGURE 1-1: Label with integrated NFC chip

5.1 Functionality

If you put your NFC reading device on a label with integrated NFC chip, you will be automatically redirected to the following URL:

<https://nfc.imagotag.com/<Label-ID>> [e.g. <https://nfc.imagotag.com/A5004824>]



FIGURE 1-2: NFC redirection to nfc.imagotag.com

This URL/information can be used as follows:

You can use it for your own developed application or redirection/forwarding to a specific URI (for demo purposes only).

5.1.1 Application

A mobile application could extract the label ID information from the NFC tag. Based on the label ID, the application could get further details about the matched article and e.g. show this details via push. The required application needs to be developed by the customer.

Example - Digital camera accessories

A customer starts the mobile application and puts his/her smartphone next to the label with integrated NFC chip which belongs to a digital camera. The developed application retrieves the product information data from the ESL system and pushes matching accessories for this digital camera model to his/her smartphone.

Example - Recipe information

A customer starts the mobile application and put his/her smartphone next to the label with integrated NFC chip which belongs to pasta. The developed application retrieves the product information data from the ESL system and pushes corresponding recipes to his/her smartphone.

5.1.2 Redirection/Forwarding (for demo purposes only)

If you don't want to develop your own application to handle NFC readings there's the possibility to request a redirection for your specific NFC label range to a URI of your choice.

Currently this functionality is just for demo purposes. In future we will provide a service for it.

Example - Customer's website

You have bought a number of NFC tags and want to redirect to its website when reading the tags.

Write an email with your forwarding request (relevant labels, customer, URI) to support.at@ses-imagotag.com. The support team will manage the request and gives you feedback as soon as the forwarding works.

E.g. Customer XY, G1 2.7 BWR NFC labels with IDs: B501ABC1, B501B324, forward to <http://www.myownwebsite.com>

5.2 Ordering Information

Please contact our sales team for ordering information and pricing at sales@ses-imagotag.com.

6 Environmental

6.1 General

Temperature

- black/white labels
 - 0° C to + 45° C
- black/white/red labels
 - 10° C to 40° C
- optimal operating temperature at 21 ° C.

Humidity: 10% to 80% (non-condensing)

6.2 Cleaning Instructions

Clean the electronic label with the help of a damp cloth.

Note: Do not use liquid or aerosol cleaners and keep it away from water.

6.3 Humidity Conditions

Notes:

- High humidity combined with low temperature are not recommended
- Low temperature will reduce the battery lifetime

7 Storage and warehousing

We strongly recommend to observe the following points in order to ensure the best operation, functioning and battery lifetime:

- Storage temperature
 - -10° C to 40° C
 - Optimal operating and storage temperature at 21 ° C
- Humidity
 - 10% to 85% (non-condensing)
- It isn't allowed to operate an SES-imagotag AP-2010 or LANCOM access point in the warehouse or in radio coverage area.
 - Permanent connection attempts the label to the access point leading to high battery consumption
- FIFO (First In First Out)
 - Differ on base of the package IDs
- The maximum storage time of labels should not exceed 0.5-1 year

If you not comply with these limits mentioned above, the specified battery runtime can vary.

8 Battery lifetime

For the definition of N update/day following requirements apply to reach the specified lifetime:

- The radio sync quality between labels and access points has to be “PERFECT” or “GOOD”.
 - To comply with these specifications, a Site Survey according to SES-imagotag GmbH guidelines is necessary.
- The declared number of updates per day is an average value applied on the specified lifetime.
 - It's not allowed to exceed this number more than 20 updates per day.
- The most of the time the operation temperature of the labels has to be 21° C.
- To reach the specified lifetime, the requirements regarding see *Storage and warehousing* on page 20 also needs to be observed.
- Performing less than specified updates doesn't extend the battery lifetime significantly.

9 Battery Replacement

9.1 Audience

Only persons with the following knowledge are allowed to replace the battery:

- Battery
- Electronic assemblies like circuit board
- Compliance of the instructions

9.2 Instructions

- Risk of explosion through incorrect battery replacement.
- Use battery pack exclusive provided from the company SES-imagotag GmbH.
- Keep attention that your hands are dry before you start with the replacement.
- Don't use sharps to open the label.
- Don't use your fingernails to open the label.
- Don't touch the circuit board of the open label.

9.3 Steps

9.3.1 G1 1.6 BWR

1. Press a coin in the coin slot on the back side of the label (hidden behind the nameplate).
2. Turn the coin with pressure contraclockwise.
3. Take away the battery cover.
4. Take out the coin cell.
5. Put in the new coin cell.
6. Put the battery cover back on the label.
7. Press a coin in the coin slot on the battery cover and turn it clockwise.
8. Check if the power status of the label switch to "GOOD" otherwise contact the SES-imagotag support (support.at@ses-imagotag.com).

9.3.2 All labels except G1 1.6 BWR

1. G1 2.2 BWR, G1 2.6 BWR and G1 2.7 BW / BWR: Press both snap-in-mounts of the battery cover (backside of the label) until the battery cover detaches. Afterwards take the battery cover from the label.
G1 4.2 BW / BWR, G1 4.4 BW / BWR, G1 4.5 BWR, G1 6.0 BWR and G1 7.4 BW / BWR: Use the SES-imagotag battery opener tool to open the battery cover. Afterwards take the battery cover from the label.
2. Pull the white plug out of the socket, don't pull on the cable.
3. Take out the battery pack.
4. Put in the new battery pack.
5. Push the white plug in the socket.
6. Put the battery cover on the label casing (the arrows have to show to each other)
7. Check if the power status of the label switch to "GOOD" otherwise contact the SES-imagotag support (support.at@ses-imagotag.com).

We can also provide some battery replacement videos, for more information about that please contact the SES-imagotag support (support.at@ses-imagotag.com).

10 Reliability Test Items

- High Temperature Operation
- Low Temperature Operation
- High Temperature/Humidity Operation
- High Temperature Storage
- Low Temperature Storage
- High Temperature/Humidity Storage
- Temperature Shock (Storage)
- Package Drop Test
- Package Random Vibration Test
- Food Contact Test

11 Certifications

11.1 Types



Housing, board and the display are conform with the ROHS Directive



The product meets the EU safety, health and environmental protection requirements and has the approval of CE marking



This device complies with part 15 of the FCC Rules.



Passed all tests according to "FOOD CONTACT" requirements

11.2 Overview

Caption	RoHS	Food Contact	CE	FCC/IC
G1 1.6 BWR NFC	•	•	•3	•4
G1 2.2 BWR NFC	•	•	•3	•4
G1 2.6 BWR NFC	•	•	•3	•4
G1 2.7 BW NFC	•	•	•2	•1
G1 2.7 BWR NFC	•	•	•3	•4
G1 4.2 BW NFC	•	•	•	•4
G1 4.2 BWR NFC	•	•	•3	•4
G1 4.4 BW NFC	•	•	•2	•1
G1 4.4 BWR NFC	•	•	•3	
G1 4.5 BWR NFC	•	•	•3	•
G1 6.0 BWR NFC	•	•	•3	•
G1 7.4 BW NFC	•	•	•2	•1
G1 7.4 BWR NFC	•	•	•3	•4

¹FCC/IC certified since calendar week 9 / year 2015 (the FCC logo must be printed on the nameplate)

²R&TTE EN 300328 V1.8.1

³R&TTE EN 300328 V1.9.1

⁴FCC/IC certified starting calendar week 50 / year 2015 (the FCC logo must be printed on the nameplate)

11.3 Applied Standards

Information Technology Equipment

EN 60950-1/A2:2013

UL 60950-1/A2:2014

CSA CAN/CSA-C22.2 NO.60950-1-07

EMV

EN 301489-17 V2.2.1

R&TTE

EN 300328 V1.8.1 / EN 300328 V1.9.1

Human Exposure to Electromagnetic Fields

EN 62479:2010

Radio international

FCC: 47 CFR Part 15 (USA)

RSS-210 Issue 8 (Canada)

11.4 Declaration

The company SES-imagotag GmbH declares on his own responsibility that the G1 labels correspond to the standards mentioned above.

11.4.1 FCC

This device complies with part 15 of the FCC Rules. Operation is subject to the following two conditions: (1) This device may not cause harmful interference, and (2) this device must accept any interference received, including interference that may cause undesired operation.

Changes or modifications not expressly approved by the party responsible for compliance could void the authority to operate the equipment.

11.4.2 IC

This device complies with Industry Canada licence-exempt RSS standard(s). Operation is subject to the following two conditions: (1) this device may not cause interference, and (2) this device must accept any interference, including interference that may cause undesired operation of the device.

Le présent appareil est conforme aux CNR d'Industrie Canada applicables aux appareils radio exempts de licence. L'exploitation est autorisée aux deux conditions suivantes : (1) l'appareil ne doit pas produire de brouillage, et (2) l'appareil doit accepter tout brouillage radioélectrique subi, même si le brouillage est susceptible d'en compromettre le fonctionnement.

11.4.3 IFT

RCPSEM016-1628-A3“La operación de este equipo está sujeta a las siguientes dos condiciones: (1) es posible que este equipo o dispositivo no cause interferencia perjudicial y (2) este equipo o dispositivo debe aceptar cualquier interferencia, incluyendo la que pueda causar su operación no deseada.”

11.4.4 NCC 警語：

經型式認證合格之低功率射頻電機，非經許可，公司、商號或使用者均不得擅自變更頻率、加大功率或變更原設計之特性及功能。

低功率射頻電機之使用不得影響飛航安全及干擾合法通信；經發現有干擾現象時，應立即停用，並改善至無干擾時方得繼續使用。

前項合法通信，指依電信法規定作業之無線電通信。低功率射頻電機須忍受合法通信或工業、科學及醫療用電波輻射性電機設備之干擾。

12 Packing

12.1 G1 1.6 BWR

DIMENSIONS				STACKING		QUANTITY	
	LENGTH	WIDTH	HEIGHT				
BOX	445	245	100	LAYER / UNIT	10	SETS / BOX	100
PALLET	1200	800	140	BOXES / LAYER	6	SETS / LAYER	600
UNIT	1200	800	1140	BOXES / UNIT	60	SETS / UNIT	6000

Purchase Unit: 100 labels / box

Minimum Order Quantity: 6000

12.2 G1 2.2 BWR

DIMENSIONS				STACKING		QUANTITY	
	LENGTH	WIDTH	HEIGHT				
BOX	445	245	100	LAYER / UNIT	10	SETS / BOX	100
PALLET	1200	800	140	BOXES / LAYER	6	SETS / LAYER	600
UNIT	1200	800	1140	BOXES / UNIT	60	SETS / UNIT	6000

Purchase Unit: 100 labels / box

Minimum Order Quantity: 6000

12.3 G1 2.6 BWR

DIMENSIONS				STACKING		QUANTITY	
	LENGTH	WIDTH	HEIGHT				
BOX	400	270	135	LAYER / UNIT	9	SETS / BOX	80
PALLET	1200	800	140	BOXES / LAYER	8	SETS / LAYER	640
UNIT	1200	800	1355	BOXES / UNIT	72	SETS / UNIT	5760

Purchase Unit: 80 labels / box

Minimum Order Quantity: 5760

12.4 G1 2.7 BW / BWR

DIMENSIONS				STACKING		QUANTITY	
	LENGTH	WIDTH	HEIGHT				
BOX	400	270	135	LAYER / UNIT	9	SETS / BOX	80
PALLET	1200	800	140	BOXES / LAYER	8	SETS / LAYER	640
UNIT	1200	800	1355	BOXES / UNIT	72	SETS / UNIT	5760

Purchase Unit: 80 labels / box

Minimum Order Quantity: 5760

12.5 G1 4.2 BW / BWR

DIMENSIONS				STACKING		QUANTITY	
	LENGTH	WIDTH	HEIGHT				
BOX	400	260	250	LAYER / UNIT	5	SETS / BOX	60
PALLET	1200	800	140	BOXES / LAYER	8	SETS / LAYER	480
UNIT	1200	800	1390	BOXES / UNIT	40	SETS / UNIT	2400

12.6 G1 4.4 BW / BWR

DIMENSIONS				STACKING		QUANTITY	
	LENGTH	WIDTH	HEIGHT				
BOX	400	260	250	LAYER / UNIT	5	SETS / BOX	60
PALLET	1200	800	140	BOXES / LAYER	8	SETS / LAYER	480
UNIT	1200	800	1390	BOXES / UNIT	40	SETS / UNIT	2400

Purchase Unit: 60 labels / box

Minimum Order Quantity: 2400

12.7 G1 4.5 BWR

DIMENSIONS				STACKING		QUANTITY	
	LENGTH	WIDTH	HEIGHT				
BOX	395	300	155	LAYER / UNIT	8	SETS / BOX	80
PALLET	1200	800	140	BOXES / LAYER	8	SETS / LAYER	640
UNIT	1200	800	1380	BOXES / UNIT	64	SETS / UNIT	5120

Purchase Unit: 80 labels / box

Minimum Order Quantity: 5120

12.8 G1 6.0 BWR and G1 7.4 BW / BWR

DIMENSIONS				STACKING		QUANTITY	
	LENGTH	WIDTH	HEIGHT				
BOX	570	260	250	LAYER / UNIT	3	SETS / BOX	40
PALLET	1200	800	140	BOXES / LAYER	6	SETS / LAYER	240
UNIT	1200	800	890	BOXES / UNIT	18	SETS / UNIT	720

Purchase Unit: 40 labels / box

Minimum Order Quantity: 720

13 Intended Use

The G1 electronic shelf label family is exclusively designed to connect to AP-2010, MAP-2014T or LN-830E of the company SES-imagotag GmbH via radio.

The device may only be used in areas where the environmental conditions be the same as described in the chapter see *Environmental* on page 19.

14 Improper Use

Any use that is not mentioned in Section Intended Use (see *Intended Use* on page 1), shall be deemed to be improper. Any damage which result from improper use, the operator will assumes liability.

The following usage is not allowed:



- Never dismantle the electronic device because except battery there is no component which could be changed by someone who is not qualified.
- Don't drop it.
- Keep it away from water.
- Strictly avoid direct contact with groceries.
- Don't use the electronic device with defective parts.
- Don't use the electronic device with spare parts and accessories which are not examined and approved by the SES-imagotag GmbH.
- Unauthorized changes or modifications to the electronic device and their components without the consent of SES-imagotag GmbH are not allowed.
- Don't heat, recharge or bend battery.
- We take no responsibility for stolen labels without encryption.
- Keep away batteries from children.
- Don't throw defective batteries into the dustbin. Give them to a reprocessing company.
- Don't throw electronic device into the dustbin. Give them to a reprocessing company.
- Contact SES-imagotag GmbH for more details about this process.