

VUSION Gate

Read all documents and system instructions carefully to minimize the risk of harming people by misuse and to avoid damage to the system or to the environment.

Keep all documents and guidance accessible at all times.

If necessary, the content of this document will be updated. You can request the latest version of the document via office.at@ses-imagotag.com.

The company SES-imagotag assumes no liability for any damage caused by improper installation or handling.

The installation instructions are intended for trained electricians who can exhibit the following qualifications:

- Knowledge of the use of tools and work instructions.
- Knowledge of the usable conditions of the tool.
- Knowledge of the electrical safety instructions.
- Knowledge of the electrical building regulations.
- Knowledge of the relevant standards.
- Knowledge of the assembly schedule.

Mounting location

The Access Point can be mounted on a:

- Concrete wall
- Mortar wall
- T-Mounting rail

Select the installation location for the Access Point carefully. Pay particular attention to the following requirements:

- Install the Access Point only in areas where the permissible environmental conditions can be observed.
- Don't install the Access Point in an environment with direct sunlight or heat source.
- Mount the metal bracket for the Access Point on dry surfaces only.
- Don't mount the Access Point on any flammable material.
- The minimum bearing capacity of the substrate has to be 5 kg.
- The LAN cable manufacturer must be compliant to the default specifications (e.g. minimum bend radius of 3cm)

Approachability

- Mount the metal bracket in a way that the Access Point can easily be attached to it by applying light pressure to it.
- Make sure that the LAN socket is easily accessible after the installation.
- The LED must be clearly visible after the installation is completed.

- It is important that the inner surface of the Access Point has sufficient air circulation.
The vents must be free to ensure sufficient ventilation to prevent overheating.



The mounting material (e.g. screws or pegs) for securing the metal bracket on concrete walls is not part of the scope of delivery. It has to be purchased separately if needed, depending on the actual substrate.

Maintenance

- The SES-imagotag VUSION Gate does not contain parts that have to be maintained by the user. The SES-imagotag VUSION Gate must NOT be opened. For necessary maintenance or repair works always contact the manufacturer.
- The device is provided with a warranty seal. Damaging the warranty seal expires all warranty claims.

Problems which require maintenance or replacement of the VUSION Gate

Unplug the power supply and contact SES-imagotag if following cases occur:

- The VUSION Gate was strewn with liquid.
- The VUSION Gate has been dropped or damaged.
- The LAN port of the VUSION Gate is damaged.
- The LED of the VUSION Gate no longer lights up.

Contact the manufacturer if despite intended purpose the device is not working and none of the mentioned cases occurred.

Operating and storage of the SES-imagotag VUSION Gate

If the mounting of the SES-imagotag VUSION Gate is intended to be done at a later date, please assure proper storage:

- Operate the SES-imagotag VUSION Gate at a temperature from 0°C to +40°C.
- Store the SES-imagotag VUSION Gate in the delivered original packing at a temperature from -20°C up to +70°C
- Store the SES-imagotag VUSION Gate in the delivered original packing at a humidity from 10% up to 85% (non-condensing)
- The SES-imagotag VUSION Gate must be switched OFF while stored.
- Check the condition of the SES-imagotag VUSION Gate after unpacking.
- Do not store other objects on top of the SES-imagotag VUSION Gate.

Improper Use

The SES-imagotag is not responsible and does not assume liability for damage or injury to persons, property, environment and the VUSION Gate itself caused by improper installation or improper handling.

The operator assumes liability for any damage that results from improper use.

The following usage is not allowed:



- Don't drop the VUSION Gate.
- Keep the VUSION Gate away from water.
- Don't use the VUSION Gate with defective parts.
- Don't use the VUSION Gate with spare parts and accessories which are not examined and approved by the SES-imagotag.
- Unauthorized changes or modifications to the VUSION Gate and their components without the consent of SES-imagotag are not allowed.
- Don't throw VUSION Gate into the dustbin. Deposit VUSION Gate at a reprocessing company.
- Contact SES-imagotag for more details about the removal process.
- Please do not use any liquid or spray cleaners directly on the surface of the VUSION Gate.

Environmental protection and removal



Please assure that you meet all local law restrictions when removing the VUSION Gate.



The SES-imagotag VUSION Gate correlates to the ROHS guideline.

Certificates



This device complies with part 15 of the FCC Rules. Operation is subject to the following two conditions: (1) This device may not cause harmful interference, and (2) this device must accept any interference received, including interference that may cause undesired operation.

CAUTION TO USERS

Changes or modifications not expressly approved by the party responsible for compliance could void the user's authority to operate the equipment.

FCC rules apply to the following products: APG3-VGE1-A, APG3-VGE1-B



This device contains licence-exempt transmitter(s)/receiver(s) that comply with Innovation, Science and Economic Development Canada's licence-exempt RSS(s). Operation is subject to the following two conditions: (1) This device may not cause interference. (2) This device must accept any interference, including interference that may cause undesired operation of the device.

L'émetteur/récepteur exempt de licence contenu dans le présent appareil est conforme aux CNR d'Innovation, Sciences et Développement économique Canada applicables aux appareils radio exempts de licence. L'exploitation est autorisée aux deux conditions suivantes: 1) L'appareil ne

doit pas produire de brouillage; 2) L'appareil doit accepter tout brouillage radioélectrique subi, même si le brouillage est susceptible d'en compromettre le fonctionnement.

IC standards apply to the following products: APG3-VGE1-A, APG3-VGE1-B

General remarks

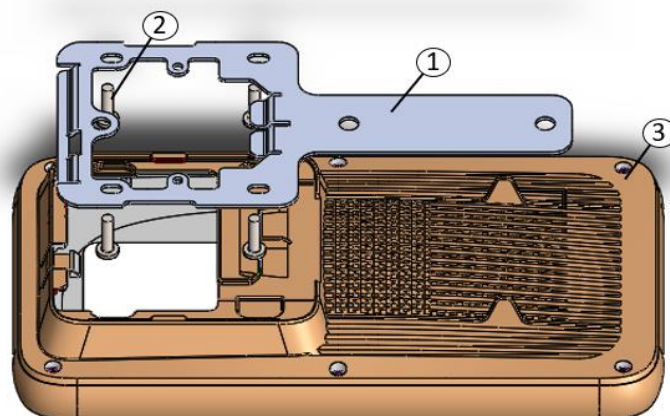
The SES-imagotag VUSION Gate must be installed according to the mounting instructions of the producer. In rare cases it may occur that the usage of wireless appliances is restricted by the building owner (e.g. Airport or Hospital). Please contact the appropriate authorities before installing the SES-imagotag VUSION Gate.

Mounting

The VUSION Gate can be mounted on the ceiling as well as on the wall by either using drill holes or mounting rails. The preferred variant is mounting on the ceiling since this position will best support the internal antenna of the VUSION Gate. In the case of wall mounting a horizontal orientation of VUSION Gate (instead of vertical) is preferred.

Mounting on the wall or ceiling using drill holes

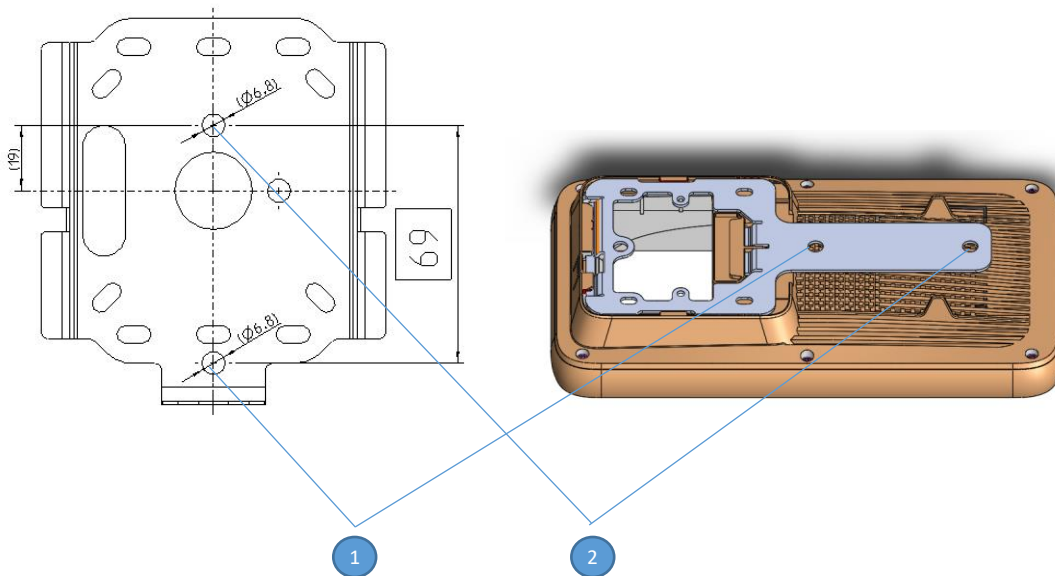
- a.) Fix the mounting plate (1) to the wall or ceiling with the help of mounting screws (2) fitting to the prepared drill holes. Note that the mounting screws are not part of the delivery. Use screws with a flat head to avoid unwanted touch points with the VUSION Gate housing (3)



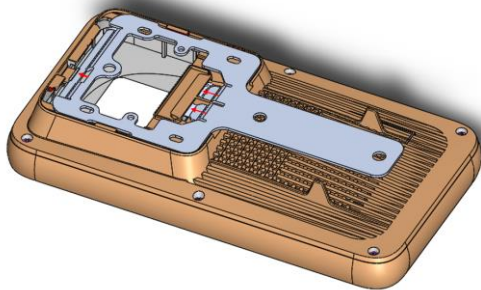
1. Mounting plate
2. Mounting screws D3-4mm
3. VUSION Gate

If you are replacing an existing AP2010/Cloudpoint with a VUSION Gate, be aware that holes from previous installations can easily be re-used as long as they are not damaged by the improper removal.

Compatible drill hole distances from AP2010 / Cloudpoint mounting plate:



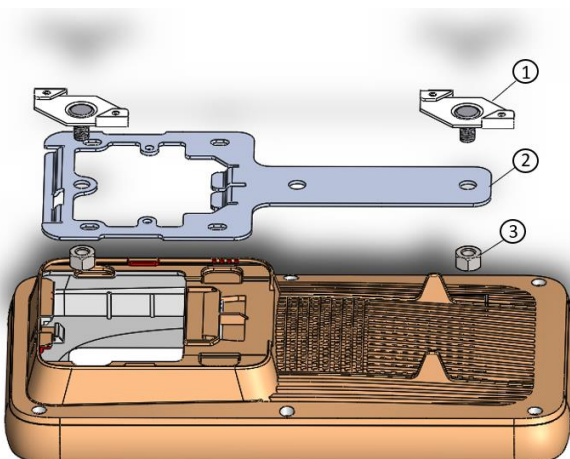
b.) Slide the VUSION Gate housing into the mounting plate until it locks in



Mounting on a T-Mounting rail

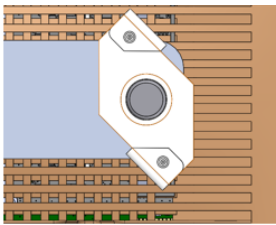
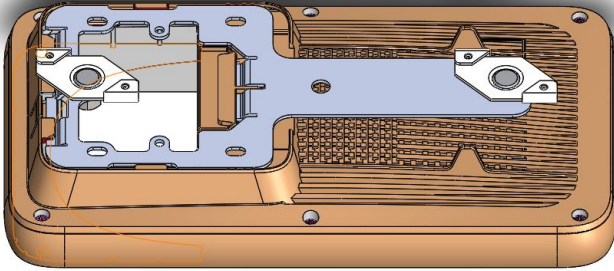
This can be done on the ceiling as well as on the wall, if appropriate T-Mouting Rails are available and pre-installed.

a. Install the mounting plate to the VUSION Gate using the two caddy clips.

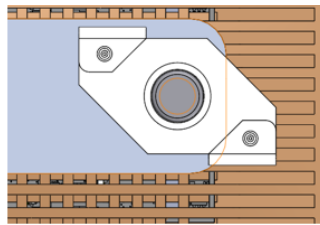


1. Caddy clips
2. Mounting plate
3. Nuts

- b. Place the 2 caddy clips with the appropriate distance to the T-Mounting Rail and fix it (twist it by 45° for locking and unlocking- as shown in the illustration below).



a.) unlocked



b. locked

Release from mounting plate

If you want to release the VUSION Gate from the mounting plate you can do this easily by pushing the release button (1) and slide out the VUSION Gate from the mounting.

